



# KEYSTONE

OIL-FIRED CAST IRON  
HOT WATER BOILER

## Model

**UH3KWC0.80(T)**

**UH4KWC1.00(T)**

**UH4KWC1.25(T)**

**UH5KWC1.35(T)**

**UH5KWC1.55(T)**

## Parts and Optional Accessories

### Ordering Instructions

Order Parts through your nearest supplier.

When ordering parts, obtain Model Number and  
Serial Number from data plate on your boiler.

Include following information when ordering.

Part Number \_\_\_\_\_

Part Description \_\_\_\_\_

Boiler Model Number \_\_\_\_\_

Boiler Serial Number \_\_\_\_\_



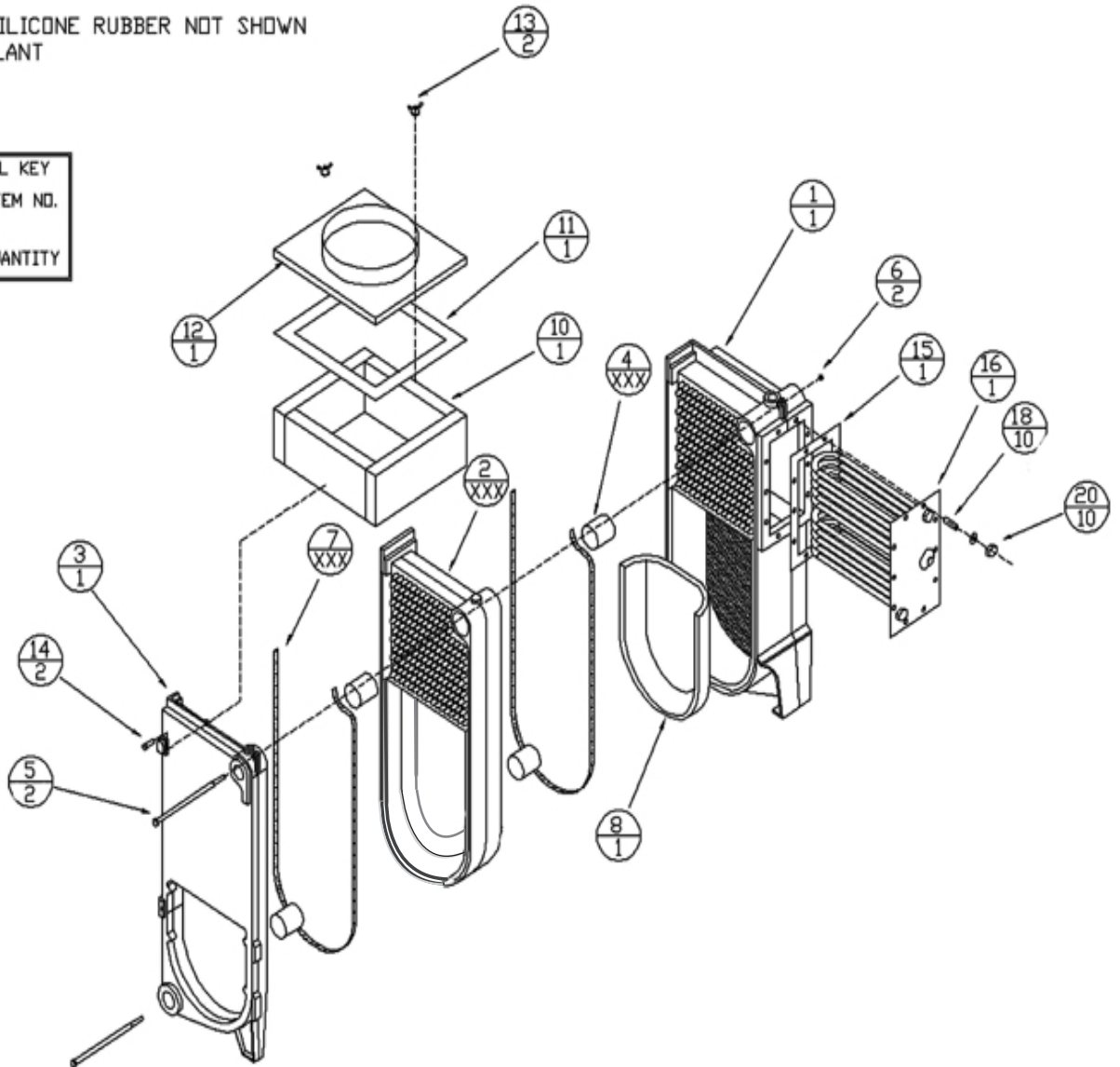
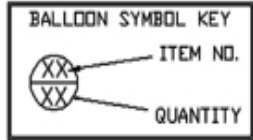
Manufactured by:  
ECR International Inc.  
2201 Dwyer Avenue, Utica, NY 13501  
Tel. 800 325 5479  
[www.ecrinternational.com](http://www.ecrinternational.com)  
PN 240013444 REV. A [09/01/2021]

# REPAIR PARTS

17/1 COVER PLATE FOR BOILERS WITHOUT TANKLESS COIL NOT SHOWN

21/2 1 1/4" SQUARE HEAD PLUGS NOT SHOWN

22/XXX 400°F BLACK SILICONE RUBBER NOT SHOWN  
ADHESIVE SEALANT



## REPAIR PARTS

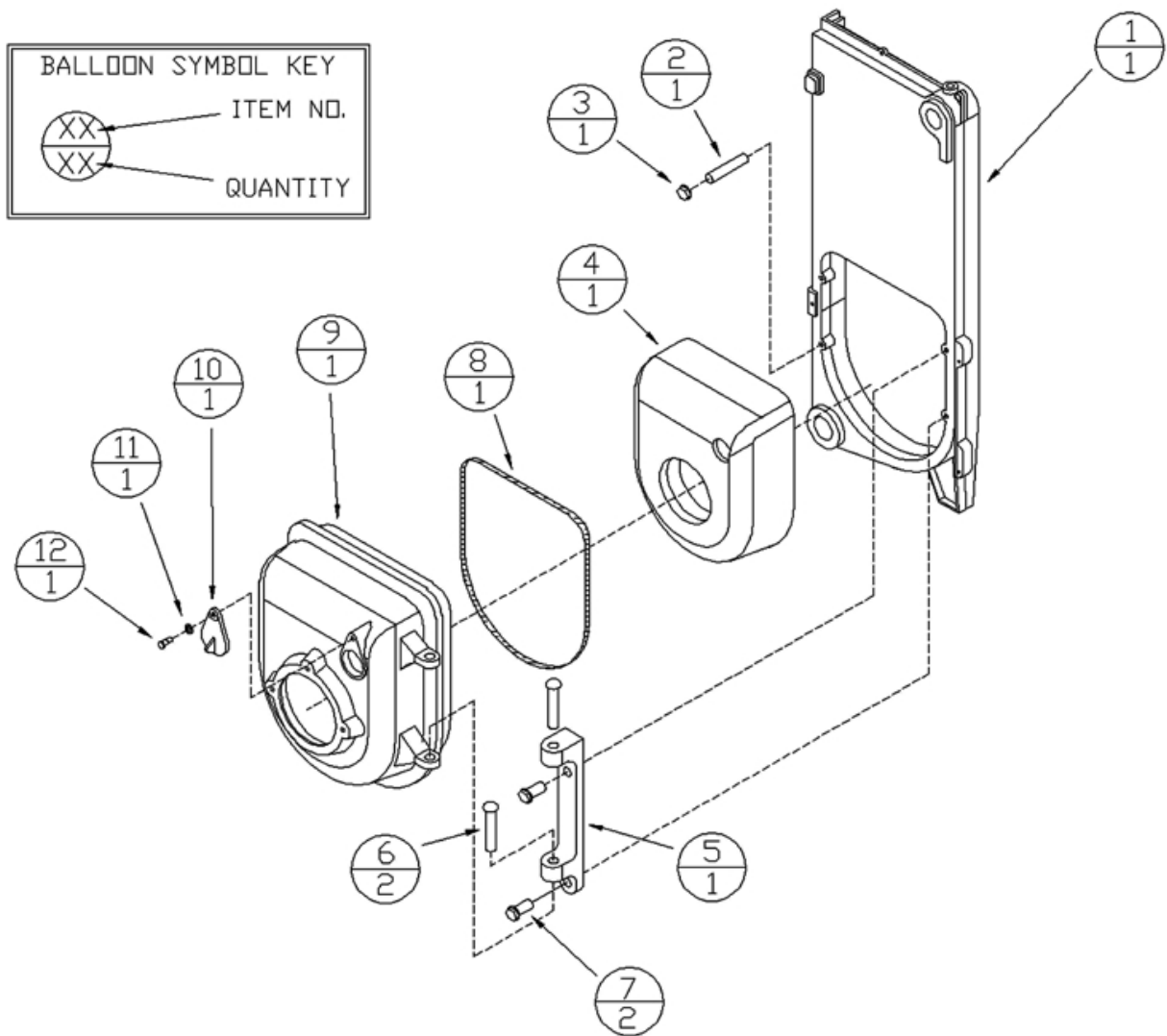
ITEM	DESCRIPTION	3	4	5
1	Water Boiler Back Section (EW3)		40300008	
2	Water Boiler Middle Section (EW2)		40300007	
3	Empire Water Front Section (EW1)		40300006	
4*	Cast Iron Machined Nipples 2"		43300976	
5*	1/4" Tie Rods	14605002	14605051	14605053
6	Tie Rods 1/4"20 Hex Head Nut		HW-003.02	
7*	5/16" x 701/2" Braided Rope		43300955	
8	Target Wall		14619003	
10	Collector Complete (includes 11, 12, 13)			
11	Insulation Tape	42500279	42500280	42500281
12	Collector Top			
13	8/32" Brass Wing Nut		13704007	
14	5/16 X 1 1/4 Type A Hex Washer Head Screw		14695039	
15**	Coil Gasket		240007071	
16**	3.7 GPM Tankless Coil		14627020	
17	Coil Housing Cover Plate (not shown)		43300256	
18**	Stainless Steel 3/8"16 x 1-1/2" Stud		14695113	
20**	Stainless Steel 3/8" Top Lock Nut		1330008	
21	1 1/4" Solid Plug (not shown)		1395002	
22	Black Silicone Sealant (not shown)		240006837	
‡	*** Heat Exchanger Assembly	550003930	550003931	550003932
‡	** Replacement Coil Kit (contains items 15, 16, 18, 20)		43360408	
‡	Coil Conversion Kit (adds Tankless coil to non-coil boiler, contains items 15, 16 and control well)		550003211	

\* Note: Item quantities marked XXX vary depending upon the number of sections. Four cast iron nipples for first middle replacement section and two for each additional section. Black silicone sealant is sold in 10.1 oz. Cartridges.

‡ Not illustrated.

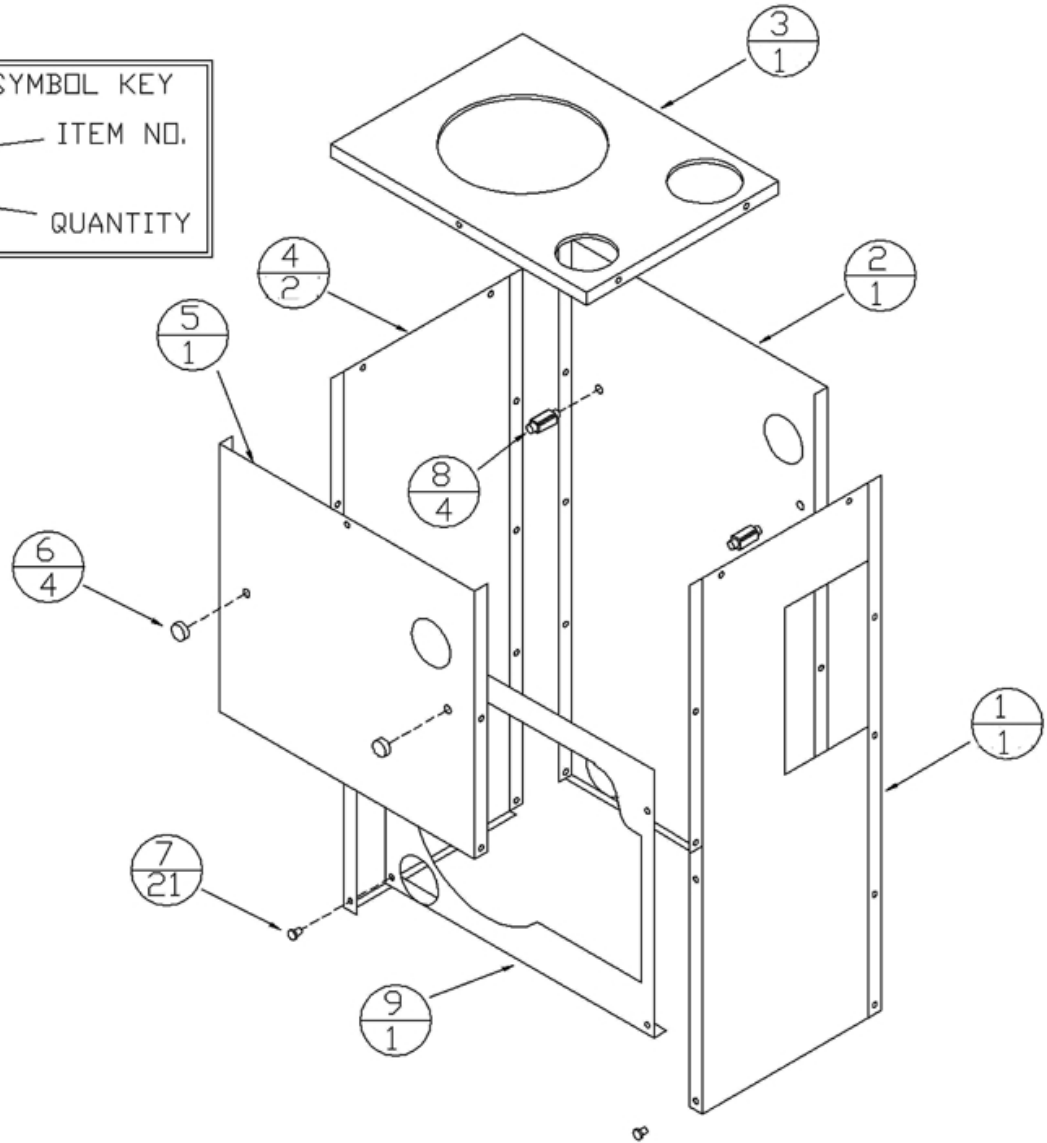
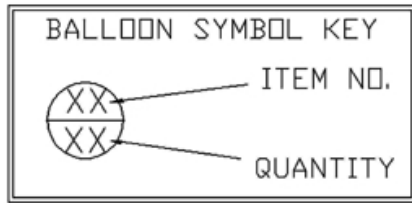
\*\*\* Includes swing door assembly and new tankless coil gasket. Does not include flue collector (item 10), tankless coil (item 16) or coil cover plate (item 17). Order these items separately as needed.

## REPAIR PARTS



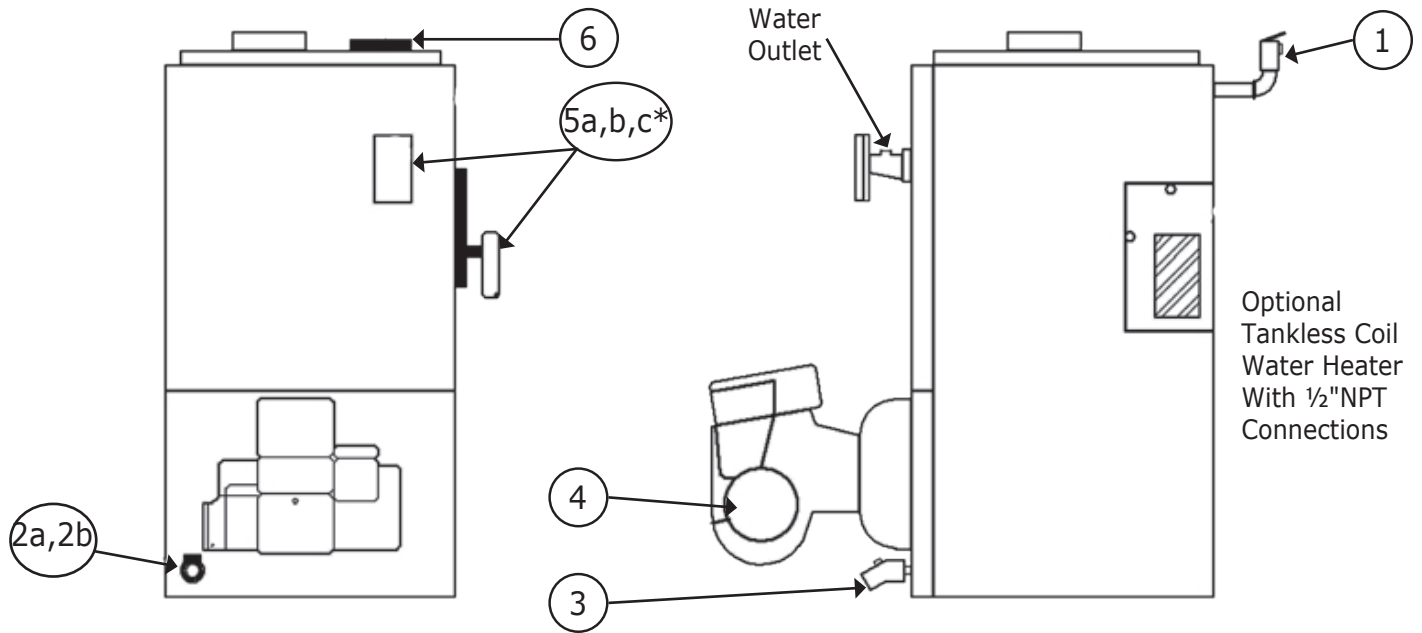
ITEM	DESCRIPTION	PART#
1	Empire Water Front Section (EW1)	40300006
2	3/8" - 16 X 2-1/4" stud	14695125
3	3/8" Whizlock Nut	14695126
4	Swing Door Insulation	14614014
5	Swing Door Hinge	40300010
6	1/4" x 2" Round Head Rivet	14695121
7	3/8" x 1" Hex Head Serrated Flange Bolt	14695124
8	3/8" x 48" Round Braid	43300905
9	Swing Door	40300009
10	Observation Door	40300014
11	5/16" Lock Washer	14695123
12	3/8" x 3/8" Shoulder Bolt 5/16"-18 Thread	14695122

## REPAIR PARTS



ITEM	DESCRIPTION	3	4	5
1	Right Side Jacket Panel	42500244AD	42500245AD	42500246AD
2	Back jacket Panel		42500269AD	
3	Top jacket Panel	42500254AD	42500255AD	42500256AD
4	Left Side Jacket Panel	42500264AD	42500265AD	42500266AD
5	Upper Front Jacket Panel		42500267AD	
6	5/16" Acorn Nut		14695042	
7	#10 x 1/2" Jacket Screw		14695074	
8	Stand Off		14695103	
9	Lower Front Jacket Panel (boiler w/swing door)		42500268AD	
XX	Complete Jacket for Boiler with Swing Door	42600289AD	42600290AD	42600291AD

## REPAIR PARTS



\* Item 5a Hydrolevel limit control is located on front supply tapping for less-coil boilers and on tankless coil cover plate for with-coil boilers. Note different control well used in each location.

ITEM	DESCRIPTION	3 Section		4 Section		5 Section	
		Firing Rate [gph]		0.80	1.00	1.25	1.35
1	¾" Safety Relief Valve,			14622011			
2a	1¼" x 2½" Pipe Nipple			14607044			
2b	1¼" x ¾" x 1¼" Reducing Tee			1510001			
3	¾" Drain Valve			240009323			
4	Oil Burner, Beckett AFG	550003927	550003960		550004305	550003960	
	Oil Burner, Riello			550003929	550004306	550003929	
	Oil Burner, Carlin			550003928			
5a	Limit Control Hydrolevel 3250 with Sensor			240010867			
5b	Replacement Sensor Only			240009989			
5c	Long Control Well for Front Supply Tapping			240007709			
	Short Control Well for Tankless Coil Plate			240009283			
6	Temperature Pressure Gauge 2" Stem			1260006			
*	Taco 007 ECM Circulator			240011850			
*	Circulator, Grundfos UP15-42F			CI-006.01			
*	Circulator, B&G NRF 22			CI-001.01			

\* Not Shown





2201 Dwyer Avenue, Utica, NY 13501  
Tel. 800 325 5479  
[www.ecrinternational.com](http://www.ecrinternational.com)

All specifications subject to change without notice.  
©2021 ECR International, Inc.