



**MGB**  
CAST IRON GAS FIRED BOILERS  
FOR FORCED HOT WATER  
With Hydrolevel 4200 Control

**Models**

MGB-060K  
MGB-095K  
MGB-120K  
MGB-150K  
MGB-175K  
MGB-205K  
MGB-235K

**PARTS, KITS &  
OPTIONAL ACCESSORIES**

Ordering Instructions

Order Parts through your nearest supplier.

When ordering parts, obtain Model Number and Serial Number from data plate on your boiler.

Include following information when ordering.

Part Number \_\_\_\_\_

Part Description \_\_\_\_\_

Boiler Model Number \_\_\_\_\_

Boiler Serial Number \_\_\_\_\_

Check our website frequently for updates: [www.ecrinternational.com](http://www.ecrinternational.com)



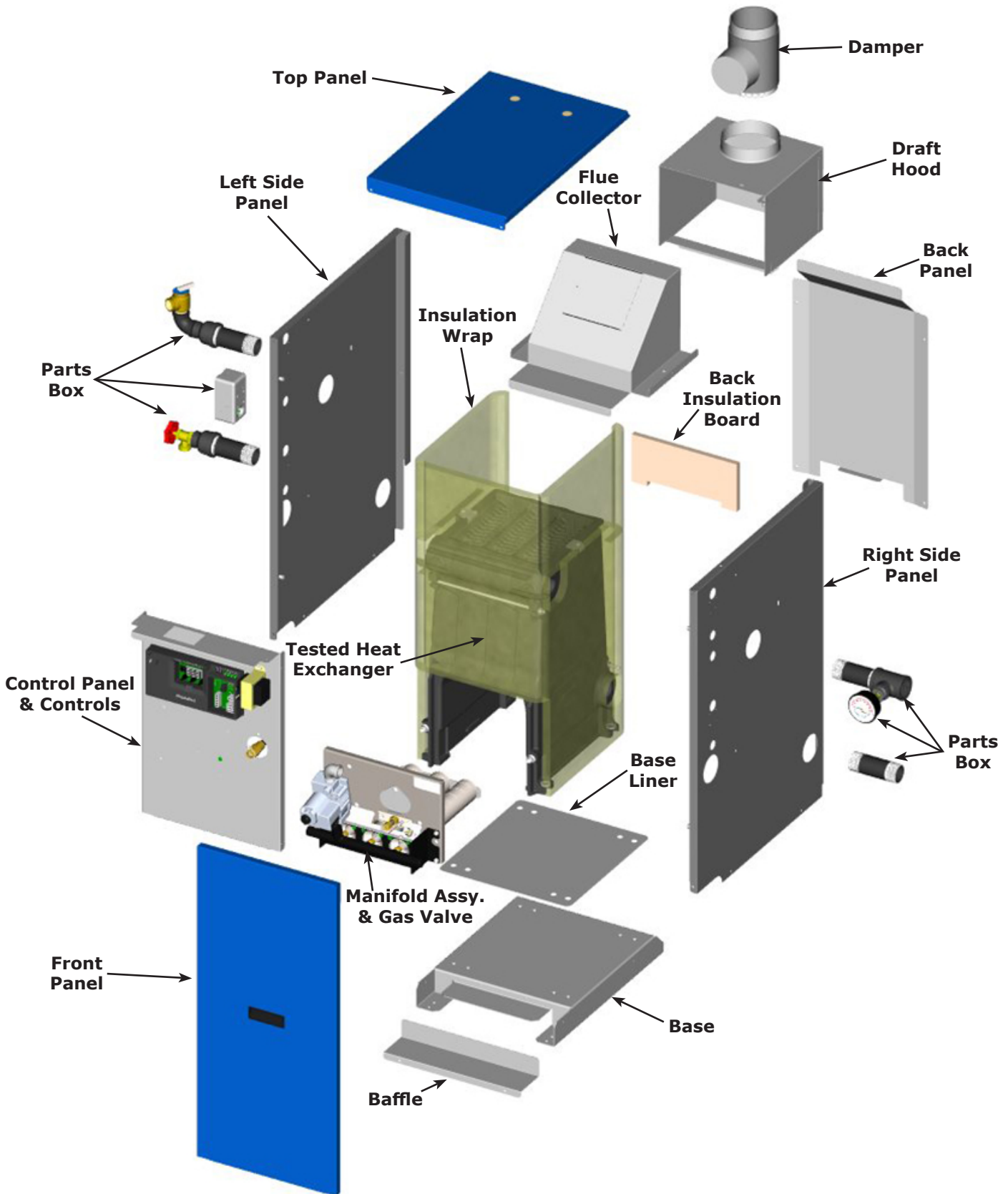
Manufactured by:  
ECR International Inc.  
2201 Dwyer Avenue, Utica, NY 13501  
Tel. 800 325 5479  
[www.ecrinternational.com](http://www.ecrinternational.com)  
PN 240013265 REV. E [12/21/2021]

# TABLE OF CONTENTS

<b>Table of Contents</b>	<b>Page(s)</b>
Jacket, Flue and Draft Hood	4 & 5
Manifold Assembly & Gas Valve	6 & 7
Control Panel	8
Parts Box	9
Heat Exchanger & Insulation	10
Conversion Kits	11

# BOILER EXPLODED VIEW

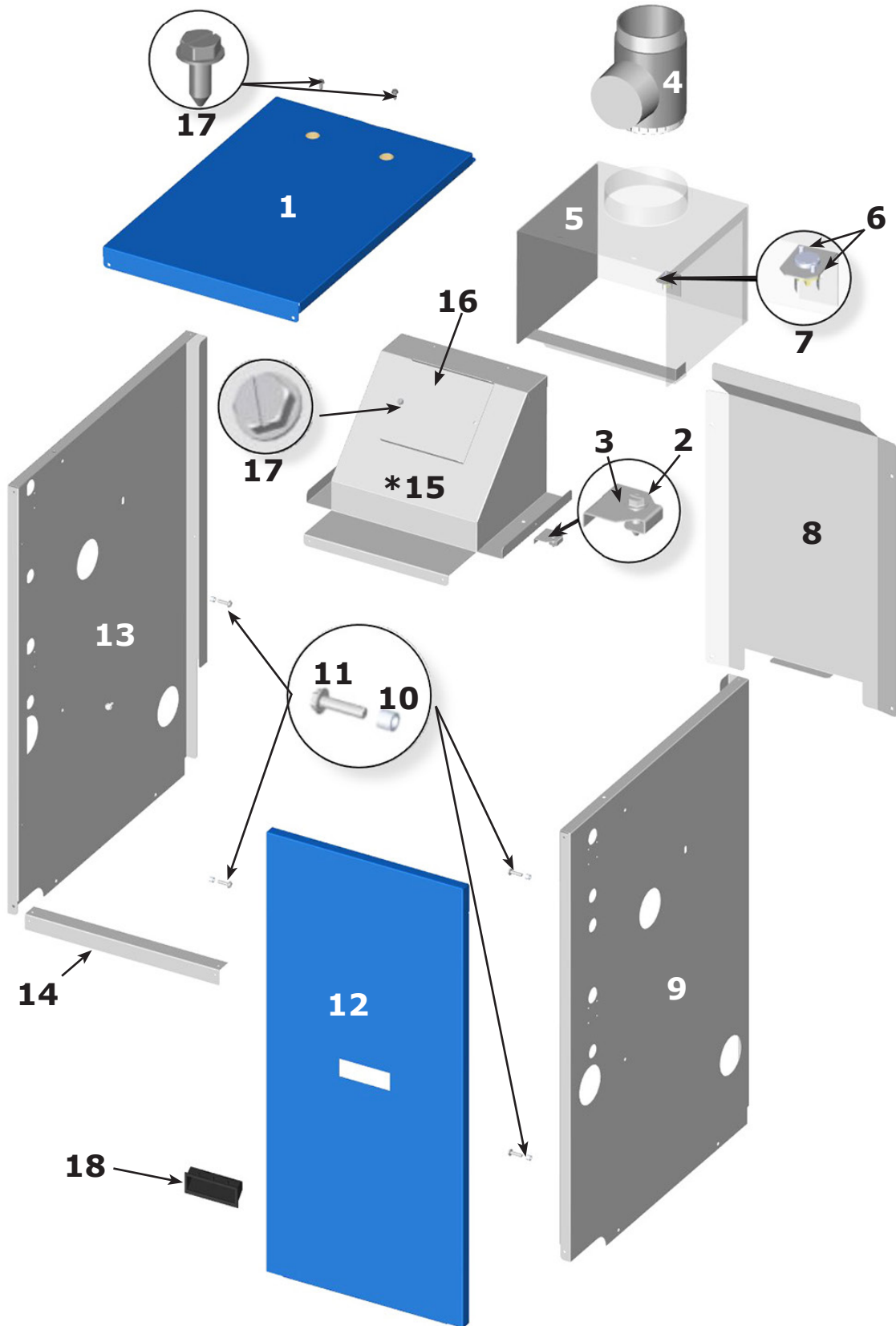
## EXPLODED VIEW 4 SECTION MGB-095K SHOWN



# JACKET, FLUE AND DRAFT HOOD

## MGB-095K/4 SECTION/SHOWN

\*Note: Flue Collector shall be secured in place to top of block using 500°F Silicone.



## JACKET, FLUE AND DRAFT HOOD

Item	Part No.	Description	Qty.
1	550004221	Jkt Top Panel w/ Labels (060, 095)	1
	550004222	Jkt Top Panel w/ Labels (120)	
	550004223	Jkt Top Panel w/ Labels (150)	
	550004224	Jkt Top Panel w/ Labels (175)	
	550004225	Jkt Top Panel w/ Labels (205, 235)	
2	14695070	Screw Flue Collector To Block	2
3	240012773	Flue Collector Clip	2
4	240006936	4" Damper (060)	1
	240006937	5" Damper (095)	
	240006938	6" Damper (120, 150)	
	240006939	7" Damper (175, 205, 235)	
5	109010255	Draft Hood (060)	1
	109010256	Draft Hood (095)	
	109010257	Draft Hood (120)	
	109010258	Draft Hood (150)	
	109010259	Draft Hood (175)	
	109010260	Draft Hood (205)	
	109010261	Draft Hood (235)	
6	HW06501	Screw for Spill Switch	1
7	AQ02101	Spill Switch	1
8	109010298	Jkt Back Panel (060, 095)	1
	109010299	Jkt Back Panel (120)	
	109010300	Jkt Back Panel (150)	
	109010301	Jkt Back Panel (175)	
	109010302	Jkt Back Panel (205,235)	
9	550003804	Jkt Side Right Panel	1
10	240012789	Front Panel Mount Bushing	4
11	2120103	Screw For Front Panel Mount Bushing	4

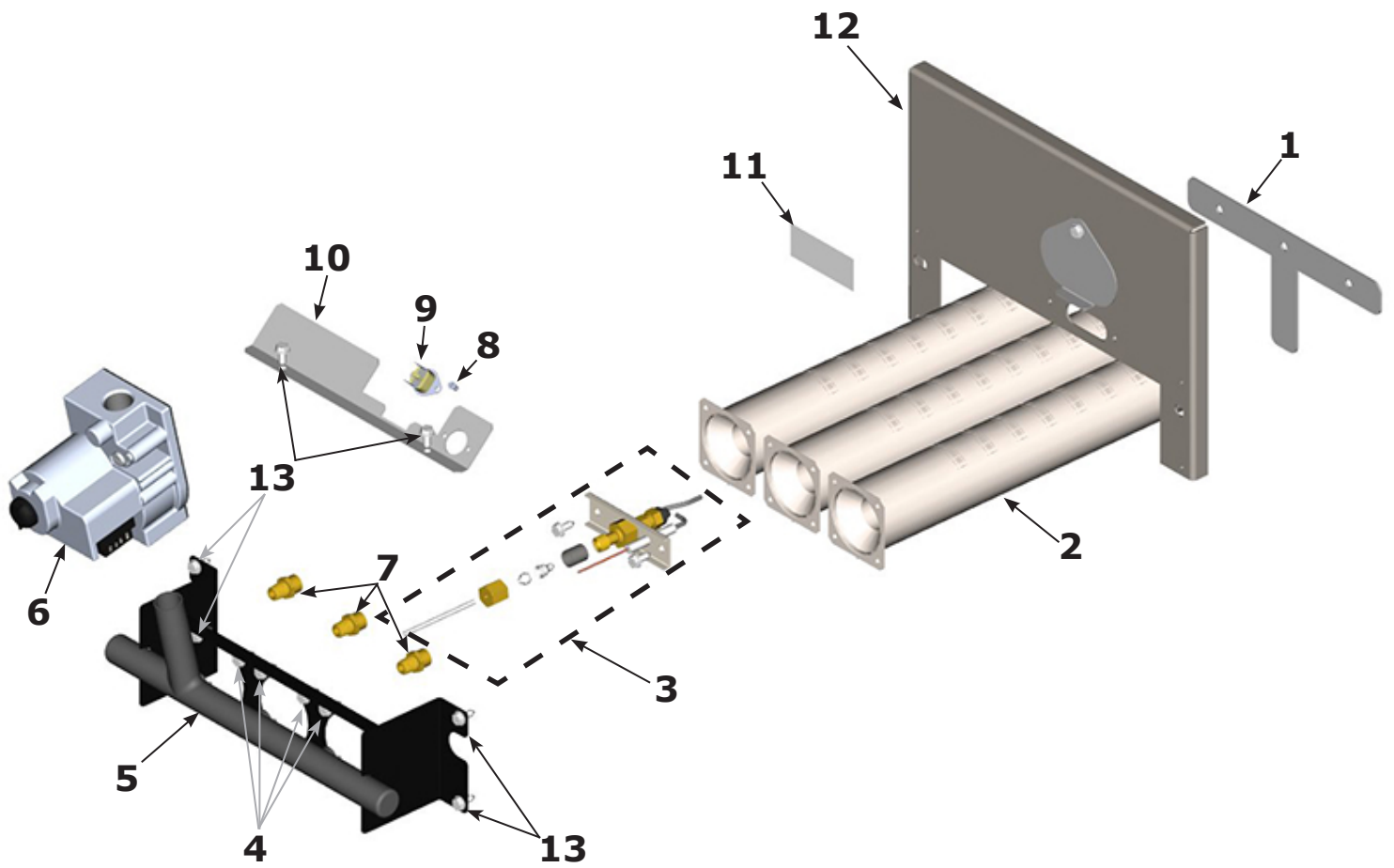
Item	Part No.	Description	Qty.
12	550003811	Jkt Front w/ labels (060, 095)	1
	550003812	Jkt Front w/ labels (120)	
	550003813	Jkt Front w/ labels (150)	
	550003814	Jkt Front w/ labels (175)	
	550003815	Jkt Front w/ labels (205, 235)	
13	550003805	Jkt Side Left Panel	1
14	109010411	Tie Bar (060,095)	1
	109010412	Tie Bar (120)	
	109010413	Tie Bar (150)	
	109010414	Tie Bar (175)	
	109010415	Tie Bar (205,235)	
*15	109010262	Flue Collector (060)	1
	109010263	Flue Collector (095)	
	109010264	Flue Collector (120)	
	109010265	Flue Collector (150)	
	109010266	Flue Collector (175)	
	109010267	Flue Collector (205)	
	109010268	Flue Collector (235)	
	16	109010278	
17	14695074	Screws for Hood Assy, Jacket & Cleanout Plate	14
18	28673	Grab Handle	1

\*Note Flue Collector shall be secured in place to top of block using 500°F (260°C) Silicone.

NS = Not Shown

# MANIFOLD ASSEMBLY & GAS VALVE

MGB-095K/4 SECTION/SHOWN



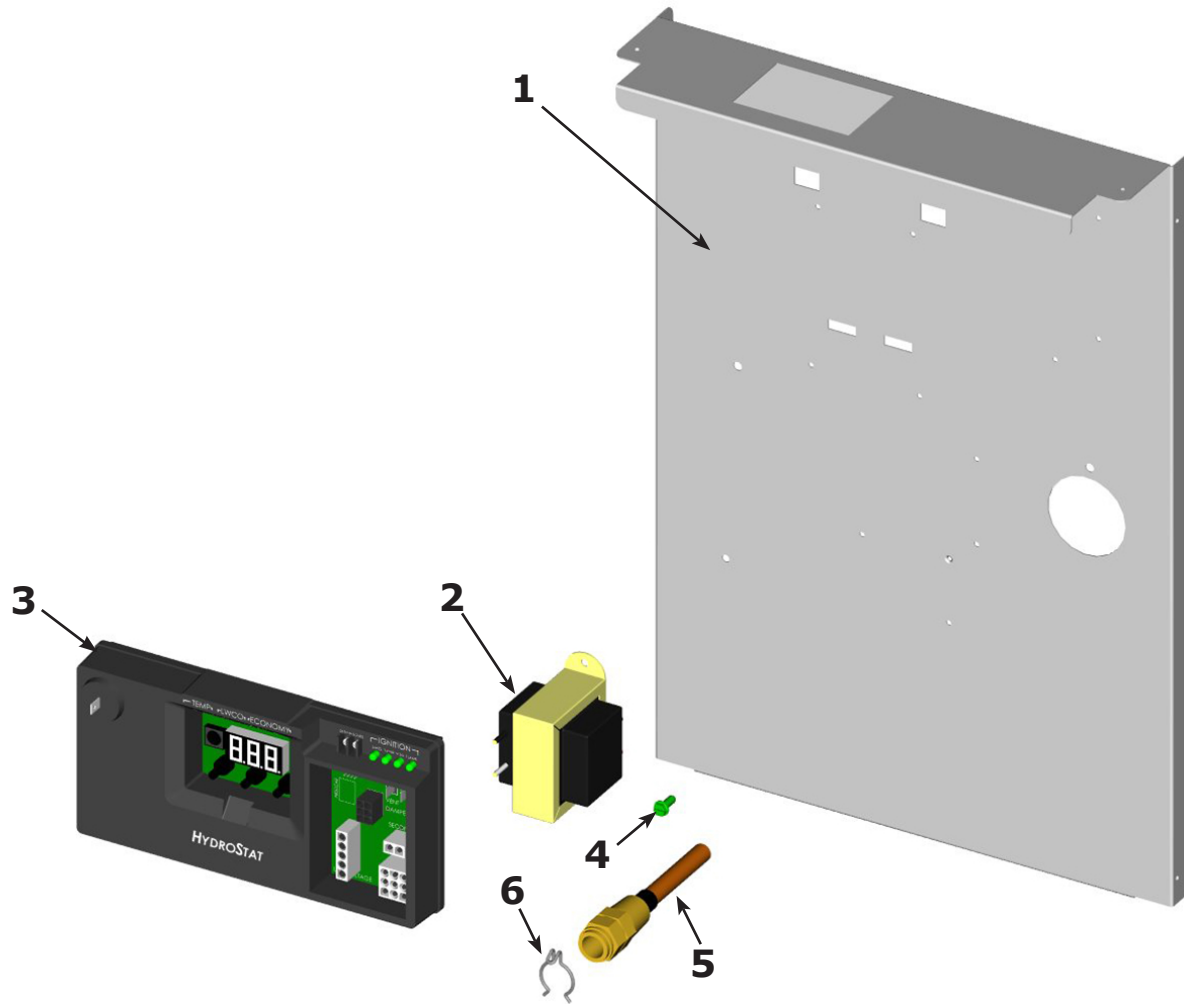
# MANIFOLD ASSEMBLY & GAS VALVE

Item	Part No.	Description	Qty.
1	109010325	Burner Support T, 3 Sec, (060)	1
	109010326	Burner Support T, 4 Sec, (095)	
	109010327	Burner Support T, 5 Sec, (120)	
	109010328	Burner Support T, 6 Sec, (150)	
	109010329	Burner Support T, 7 Sec, (175)	
	109010330	Burner Support T, 8 Sec, (205)	
	109010331	Burner Support T, 9 Sec, (235)	
2	240012755	Burner (060)	2
		Burner (095)	3
		Burner (120)	4
		Burner (150)	5
		Burner (175)	6
		Burner (205)	7
		Burner (235)	8
3	550003793	Pilot Assy	1
		Pilot Orifice, NAT	1
		Pilot Orifice, LP	1
		Pilot Nut	1
		Pilot Tube	1
		Pilot Screws	2
		Pilot Compression Fitting	1
		Pilot Screen	1
Instructions	1		
4	201000164	#10 Screw- Manifold, Burners (060)	8
		#10 Screw- Manifold, Burners (095)	12
		#10 Screw- Manifold, Burners (120)	16
		#10 Screw- Manifold, Burners (150)	20
		#10 Screw- Manifold, Burners (175)	24
		#10 Screw- Manifold, Burners (205)	28
		#10 Screw- Manifold, Burners (235)	32
5	240012732	Gas Manifold (060)	1
	240012733	Gas Manifold (095)	
	240012734	Gas Manifold (120)	
	240012735	Gas Manifold (150)	
	240012736	Gas Manifold (175)	
	240012737	Gas Manifold (205)	
240012738	Gas Manifold (235)		
6	VG01101	VLV,GAS,NAT,1/2x1/2,SPK (060-175)	1
	VG01103	VLV,GAS,NAT,3/4x3/4,SPK (205-235)	1

Item	Part No.	Description	Qty.
7 <b>Nat</b>	240012911	Orifice, <b>NAT</b> , 1/8", #40 (060)	2
	240012909	Orifice, <b>NAT</b> , 1/8", #38 (095)	3
	240012910	Orifice, <b>NAT</b> , 1/8", #39 (120)	4
	240012910	Orifice, <b>NAT</b> , 1/8", #39 (150)	5
	240012910	Orifice, <b>NAT</b> , 1/8", #39 (175)	6
	240012910	Orifice, <b>NAT</b> , 1/8", #39 (205)	7
	240012910	Orifice, <b>NAT</b> , 1/8", #39 (235)	8
	7 <b>LP</b>	240012921	Orifice, <b>LP</b> ,1/8",BRS, #53 (060)
240012920		Orifice, <b>LP</b> ,1/8",BRS, #52 (095)	3
240012921		Orifice, <b>LP</b> ,1/8",BRS, #53 (120)	4
240012921		Orifice, <b>LP</b> ,1/8",BRS, #53 (150)	5
240012921		Orifice, <b>LP</b> ,1/8",BRS, #53 (175)	6
240012921		Orifice, <b>LP</b> ,1/8",BRS, #53 (205)	7
240012921		Orifice, <b>LP</b> ,1/8",BRS, #53 (235)	8
8		HW06501	Rollout Switch Screw
9	AQ02101	Rollout Switch	1
10	109010310	Rollout Switch Bracket (060)	1
	109010311	Rollout Switch Bracket (095)	
	109010312	Rollout Switch Bracket (120)	
	109010313	Rollout Switch Bracket (150)	
	109010314	Rollout Switch Bracket (175)	
	109010315	Rollout Switch Bracket (205)	
109010316	Rollout Switch Bracket (235)		
11	240011572	Caution Label	1
12	550004179	Burner Plate Kit 3 Sec,(060)	1
	550004180	Burner Plate Kit 4 Sec,(095)	
	550004181	Burner Plate Kit 5 Sec,(120)	
	550004182	Burner Plate Kit 6 Sec,(150)	
	550004183	Burner Plate Kit 7 Sec,(175)	
	550004184	Burner Plate Kit 8 Sec,(205)	
550004185	Burner Plate Kit 9 Sec,(235)		
13	14695074	#10 x 1/2 Screw, Sheet Metal	VAR

NS = Not Shown

# CONTROL PANEL



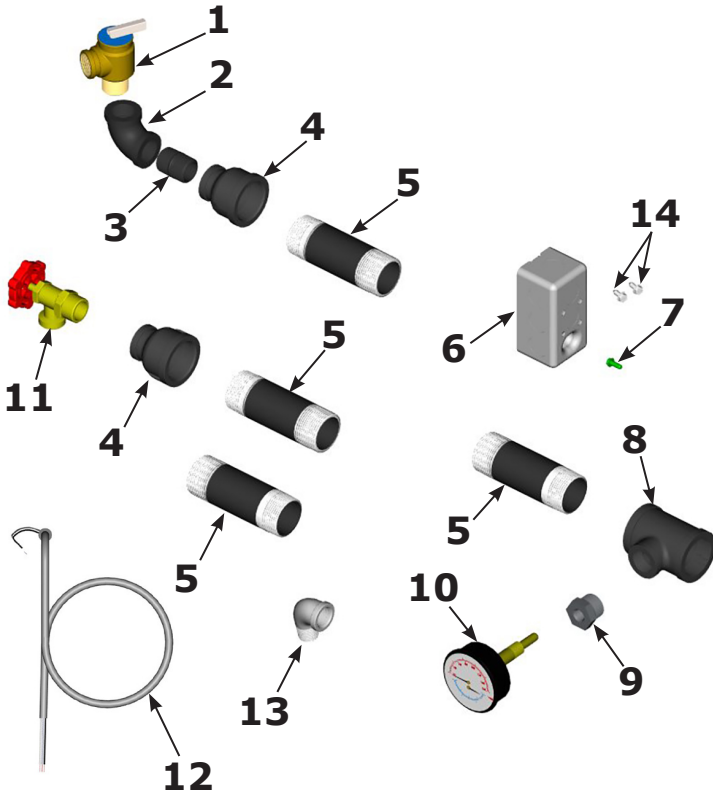
Item	Part No.	Description	Qty.
1	109010291	Control Panel (060)	1
	109010292	Control Panel (095)	1
	109010293	Control Panel (120)	1
	109010294	Control Panel (150)	1
	109010295	Control Panel (175)	1
	109010296	Control Panel (205)	1
	109010297	Control Panel (235)	1
2	14662046	Transformer	1
3	240013218	Hydrolevel Control	1
4	HW07701	Ground Screw #8	1
5	240013405	Sensor Well	1
6	240013363	Clip	1

Item	Part No.	Description	Qty.
NS	14695074	Screw #10 X 1/2" , A Point, Panel	4
NS	240013253	Main Wire Harness (060-235)	1
NS	240012713	Vent Damper Harness	1
NS	240012635	2 Ft LWCO Sensor Cable	1

NS = Not Shown



# PARTS BOX



060 Parts Box Kit 550003794 Includes:			
Item	Part No.	Description	Qty.
1	VR-001.01	ASME Relief Valve, 30 PSI, 3/4"	1
2	1190001	Pipe, Elbow 3/4" 90°	1
3	1310004	Close Nipple 3/4" NPT	1
4	240012815	Reducing coupling 1-1/4" x 3/4" NPT	2
5	14607017	NPL,1-1/4" x 6" ,BI,STD	4
6	212000017	Box,Junction,2" x 4" x 1-7/8"	1
7	HW09001	Ground Screw #10	1
8	PF05901	Tee 1-1/4" x 1-1/4" x 3/4" NPT	1
9	1060002	Bushing 3/4" x 1/4" NPT	1
10	1260006SP	GA,Temp/Press, 2" Shank	1
11	240009323	Drain Valve 3/4"	1
12	240012712	Harness, Circulator, 60"	1
13	240012828	ELB,90°,ST,1/2NPT,BI (060-175)	1
14	14695074	Screw, #10 For Junction Box	2
NS	206000021	Panel Hole Plug	3

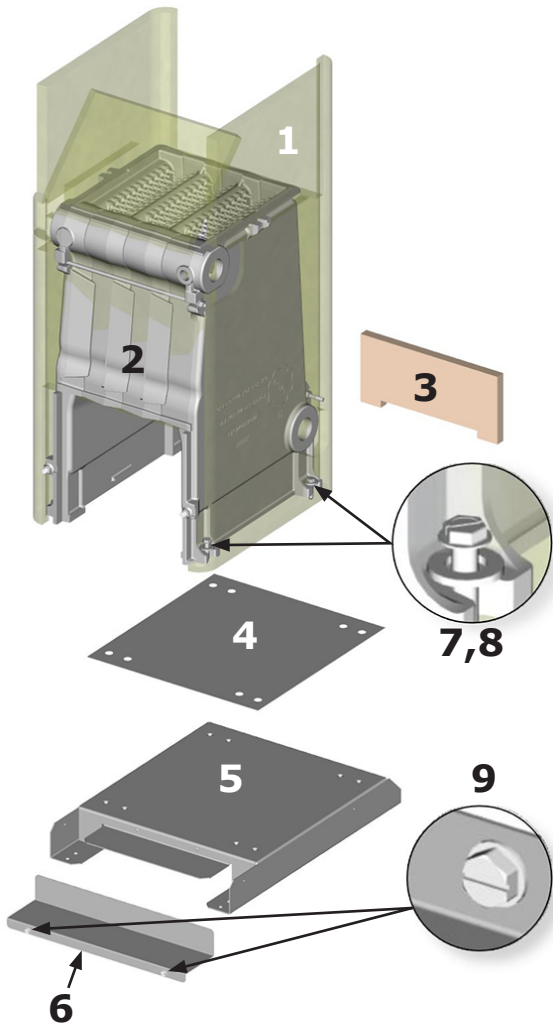
095 - 175 Parts Box Kit 550004274 Includes:			
Item	Part No.	Description	Qty.
1	VR-001.01	ASME Relief Valve, 30 PSI, 3/4"	1
2	1190001	Pipe, Elbow 3/4" 90°	1
3	1310004	Close Nipple 3/4" NPT	1
4	240012815	Reducing coupling 1-1/4" x 3/4" NPT	2
5	1310002	NPL,1-1/4" x 4-1/2" ,BI,STD	4
6	212000017	Box,Junction,2" x 4" x 1-7/8"	1
7	HW09001	Ground Screw #10	1
8	PF05901	Tee 1-1/4" x 1-1/4" x 3/4" NPT	1
9	1060002	Bushing 3/4" x 1/4" NPT	1
10	1260006SP	GA,Temp/Press, 2" Shank	1
11	240009323	Drain Valve 3/4"	1
12	240012712	Harness, Circulator, 60"	1
13	240012828	ELB,90°,ST,1/2NPT,BI (060-175)	1
14	14695074	Screw, #10 For Junction Box	2
NS	206000021	Panel Hole Plug	3

205 / 235 Parts Box Kit 550003795 Includes:			
Item	Part No.	Description	Qty.
1	VR-001.01	ASME Relief Valve, 30 PSI, 3/4"	1
2	1190001	Pipe, Elbow 3/4" 90°	1
3	1310004	Close nipple 3/4" NPT	1
4	240012815	Reducing coupling 1-1/4" x 3/4" NPT	2
5	14607017	NPL, 1-1/4" x 6" ,BI,STD	4
6	212000017	Box,Junction, 2" x 4" x 1-7/8"	1
7	HW09001	Ground Screw #10	1
8	PF05901	Tee 1-1/4" x 1-1/4" x 3/4" NPT	1
9	1060002	Bushing 3/4" x 1/4" NPT	1
10	1260006SP	GA,Temp/Press, 2" Shank	1
11	240009323	Drain Valve 3/4"	1
12	240012712	Harness, Circulator, 60"	1
13	14693040	ELB,90°,ST,3/4NPT,BI (205/235)	1
14	14695074	Screw, #10 For Junction Box	2
NS	206000021	Panel Hole Plug	3

NS = Not Shown

# HEAT EXCHANGER BLOCK AND INSULATION

## MGB-095K/4 SECTION/SHOWN



Item	Part No.	Description	Qty.
1	240012766	Heat Exchanger Block Insulation Wrap (060)	1
	240012767	Heat Exchanger Block Insulation Wrap (095)	1
	240012768	Heat Exchanger Block Insulation Wrap (120)	1
	240012769	Heat Exchanger Block Insulation Wrap (150)	1
	240012770	Heat Exchanger Block Insulation Wrap (175)	1
	240012771	Heat Exchanger Block Insulation Wrap (205)	1
	240012772	Heat Exchanger Block Insulation Wrap (235)	1
2	912000105	Tested Block 3 Section (060)	1
	912000106	Tested Block 4 Section (095)	1
	912000107	Tested Block 5 Section (120)	1
	912000108	Tested Block 6 Section (150)	1
	912000109	Tested Block 7 Section (175)	1
	912000110	Tested Block 8 Section (205)	1
	912000111	Tested Block 9 Section (235)	1
**3	240012748	Rear Insulation Board (060)	1
	240012749	Rear Insulation Board (095)	1
	240012750	Rear Insulation Board (120)	1
	240012751	Rear Insulation Board (150)	1
	240012752	Rear Insulation Board (175)	1
	240012753	Rear Insulation Board (205)	1
	240012754	Rear Insulation Board (235)	1
4	109010249	Base Liner (060,095)	1
	109010250	Base Liner (120)	1
	109010251	Base Liner (150)	1
	109010252	Base Liner (175)	1
	109010253	Base Liner (205,235)	1
5	109010447	Base (060,095)	1
	109010448	Base (120)	1
	109010449	Base (150)	1
	109010450	Base(175)	1
	109010451	Base (205,235)	1
6	109010452	Baffle (095)	1
	109010453	Baffle (120)	1
	109010454	Baffle (150)	1
7	201000159	Screw Block to Base 5/16"x1-1/4"	4
8	HW-008.01	Washer 5/16"	4
9	14695074	SCR,10x1/2",TYPE AB,SLT,HWH,SZN	2

When evaluating HTEX block replacement, please review insulation parts if needed

**\*\*Note:** Rear Insulation Board shall be secured in place using 400°F Silicone.

## CONVERSION KITS

<b>NATURAL GAS TO PROPANE (LP) CONVERSION KIT</b>	
<b>Part No.</b>	<b>Description</b>
550003778	Kit, Conversion, Natural to LP (all sizes)

<b>PROPANE (LP) TO NATURAL GAS CONVERSION KIT</b>	
<b>Part No.</b>	<b>Description</b>
550003884	Kit, Conversion, LP to Natural (all sizes)

## DHW HARNESS KIT

<b>DHW HARNESS KIT</b>	
<b>Part No.</b>	<b>Description</b>
550004166	KIT,DHW,HARN,HL4200



2201 Dwyer Avenue, Utica, NY 13501

Tel. 800 325 5479

[www.ecrinternational.com](http://www.ecrinternational.com)

All specifications subject to change without notice.

©2021 ECR International, Inc.