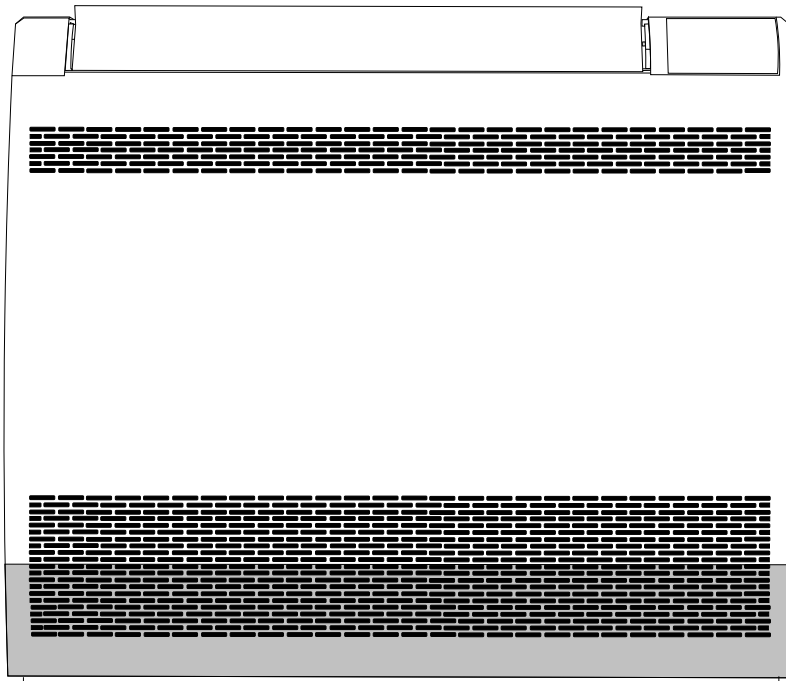




**GE APPLIANCES**  
*a Haier company*

# Installation Instructions

# Floor Console



**READ CAREFULLY.  
KEEP THESE INSTRUCTIONS.**

# IMPORTANT SAFETY INFORMATION

## READ ALL INSTRUCTIONS BEFORE USING THE SYSTEM

### **⚠ WARNING**

For your safety; the information in this manual must be followed to minimize the risk of fire, electric shock, or personal injury.

- Use this equipment only for its intended purpose as described in this manual.
- This heat pump must be properly installed in accordance with these instructions before it is used.
- All wiring should be rated for the amperage value listed on the rating plate. Use only copper wiring.
- All electrical work must be completed by a qualified electrician and completed in accordance with local and national building codes.
- Any servicing must be performed by a qualified individual.

**For any service which requires entry into the refrigerant sealed system, Federal regulations require that the work is performed by a technician having a Class II or Universal certification.**

- All heat pumps contain refrigerants, which under federal law must be removed prior to product disposal. If you are getting rid of an old product with refrigerants, check with the company handling disposal.
- These R-410A heat pumps systems require that contractors and technicians use tools, equipment and safety standards approved for use with this refrigerant. DO NOT use equipment certified for R22 refrigerant only.

### **⚠ WARNING**

**RISK OF ELECTRIC SHOCK. Could cause injury or death.**

- An adequate ground is essential before connecting the power supply.
- Disconnect all connected electric power supplies before servicing.
- Repair or replace immediately all electrical wiring that has become frayed or otherwise damaged. Do not use wiring that shows cracks or abrasion damage along its length or at either end.

### **⚠ WARNING**

**RISK OF FIRE. Could cause injury or death.**

- Do not store or use combustible materials, gasoline or other flammable vapors or liquids in the vicinity of this or any other appliance.

## READ AND SAVE THESE INSTRUCTIONS

# Installation Instructions

For More Help, Visit [GEAppliances.com/ductless](http://GEAppliances.com/ductless) Or Call The Consumer Help Line At 844-487-9443 .

## ⚠ CAUTION

- Aluminum building wiring may present special problems - consult a qualified electrician.
- When the unit is in the STOP position, there is still voltage to the electrical controls.

## BEFORE YOU BEGIN

Read these instructions carefully and completely.

- **IMPORTANT** – Save these instructions for local inspector's use.
- **IMPORTANT** – Observe all governing codes and ordinances.
- **Note to installer** – Be sure to leave these instructions with the Consumer.
- **Note to consumer** – Keep these instructions for future reference.
- **Skill level** – A licensed certified technician (to handle refrigerant R-410A, recovery, etc) and a qualified electrician are required for installation and service of this split heat pump system.
- Proper installation is the responsibility of the installer.
- Product failure due to improper installation is not covered under the limited warranty.
- For personal safety, this system must be properly grounded.
- Protective devices (fuses or circuit breakers) acceptable for installation are specified on the nameplate of each unit.
- Make sure to minimize wiring or plumbing inside the wall when installing.

## Record Keeping

Thank you for purchasing this GE Appliances product. This installation manual will help you get the best performance from your new heat pump.

For future reference, record the model and serial number located on the label on the side of your heat pump, and the date of purchase.

Staple your proof of purchase to this manual to aid in obtaining warranty service if needed.

To register your new GE Appliances Duct Free system go to [GEAppliances.com/ductless](http://GEAppliances.com/ductless) and input the model/serial number information on this page. To receive a 10-year compressor and parts warranty, registration is required within 60 days of installation.

\_\_\_\_\_

Model number

\_\_\_\_\_

Serial number

\_\_\_\_\_

Date of purchase



# Installation Instructions

## Specifications

Indoor	USYF09UCDWA	USYF12UCDWA	USYF18UCDWA
Rated Cooling Capacity Btu/hr	9,000	12,000	15,000
Rated Heating Capacity Btu/hr	10,000	13,000	18,000
Voltage, Cycle, Phase V/Hz/-	208-230/60/1		
Airflow (Turbo/High/Med/Low/Quiet) CFM	264/235/205/176/147	294/264/235/205/176	341/311/282/252/223
Indoor Sound Level dB (Turbo/High/Med/Low/ Quiet)	40/32/25/20	42/34/26/21	46/37/33/28
Chassis Dimension: HxWxD in (mm)	23.6/27.5/8.7(600/700/220)		
Weight (Ship/Net)-lbs (kg)	36/40 (16.5/18.5)		
Liquid / Suction O.D. in	1/4 3/8	1/4 3/8	1/4 1/2
Drainpipe Size O.D. in (mm)	φ 5/8 (16.5)		

## Required Tools for Installation

- 14/4 AWG stranded wire
- 5/8" (16mm), 7/8" (22mm), 1" (25mm) or adjustable wrench
- R-410A refrigerant\*
- Adhesive tape
- Conduit cable clamp 1/2\*\*
- Copper line set
- #2 phillips screwdriver
- Drill
- R-410A flaring tool
- Hex wrench
- Hole saw 2 1/4"
- Insulation\*
- Refrigerant scale
- Level
- Manifold gauge set
- Measuring tape
- Micron gauge
- Mini-split adapter (5/16"F to 1/4"M)
- Nitrogen\*
- Pipe cutter
- PVC pipe (optional)
- Razor knife
- Reamer
- Saddle clamp (L.S.) w/screws
- Sealant, non-expanding (for lineset hole)
- Soap/water solution\* or gas leakage detector
- Stud finder
- Torque wrench
- Vacuum pump
- Wire strippers
- All usual and customary HVAC hand and power tools, meters, and testing devices

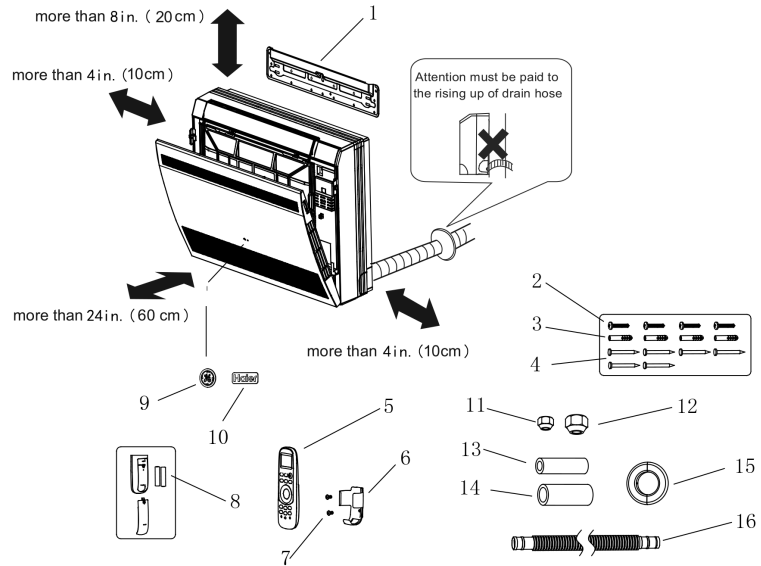
\*consumable

# Installation Instructions

## Installation Preparation

### Accessories

1	Mounting wall bracket	1
2	Screws for (1) 4x25 mm	4
3	Plastic sleeve for (2)	4
4	Nail	6
5	Remote Controller	1
6	Remote controller holder	1
7	Screws for (8) 4x12 mm	2
8	Battery for (7)	2
9	GE badge	1
10	Haier Badge	1
11	Flare nut for liquid tube	1
12	Flare nut for gas tube	1
13	Insulated tube (liquid line)	1
14	Insulated tube (suction Line)	1
15	Trim Ring	1
16	Drain hose	1



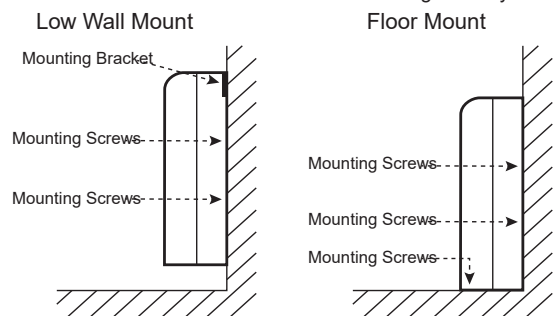
## Installation Preparation

### Step 1. Selecting Indoor Unit Mounting Location

- Allow proper and unobstructed air distribution.
- Do not allow any heat or steam near the unit.
- Select a location where there are no obstructions in front of the unit, allowing a minimum of 24" clearance.
- Make sure that condensate drainage can be conveniently routed away.
- Do not install near a doorway.
- Ensure that the space around the left and right of the unit is more than 4". The unit should be installed as low on the wall as possible, and allowing a minimum of 8" from the ceiling (see above illustration for clearances).
- Use a stud finder to locate and mark stud locations for mounting and to prevent unnecessary damage to the wall.
- Install in a location that is strong enough to withstand the full weight and vibration of the unit.

- Leave enough space to allow access for routine maintenance.
- Select a location that gives easy access for removing and cleaning the air filters.
- Install in a location that is 3 ft. or more away from other electrical appliances, such as televisions and audio devices.

Indoor installation can be done in one of the following two ways:

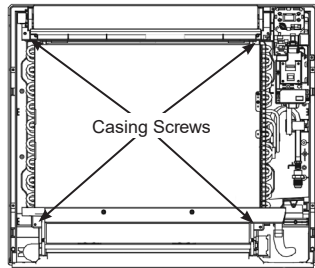
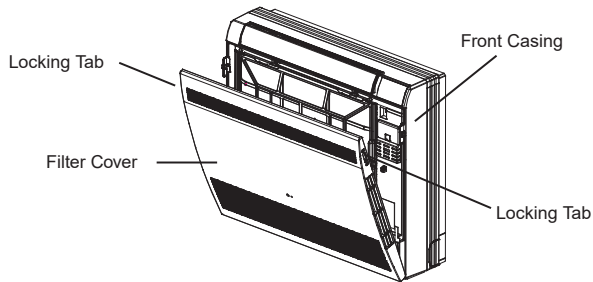


# Installation Instructions

## Installation Preparation

### Step 2. Remove the Front Casing

1. Push down the filter cover locking tabs located at the upper right and left sides of the filter cover to release.
2. Pull the filter cover towards you to remove it.
3. Locate and remove the 4 casing screws as shown in the figure below.
4. The front casing will be free to remove. From the bottom of the front panel, pull up and away from the chassis and unhinge from the top to remove.

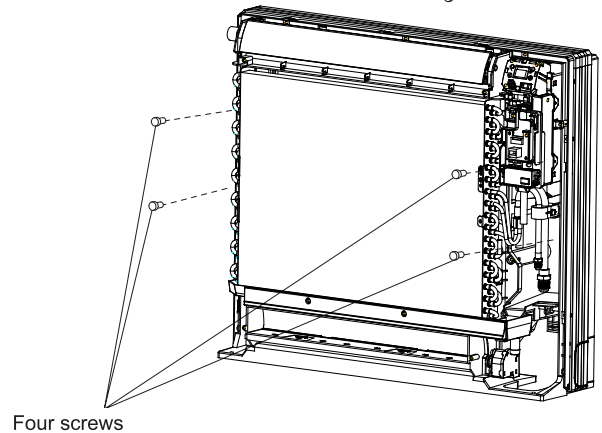
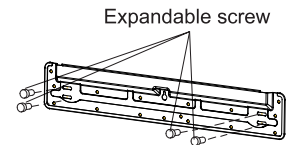
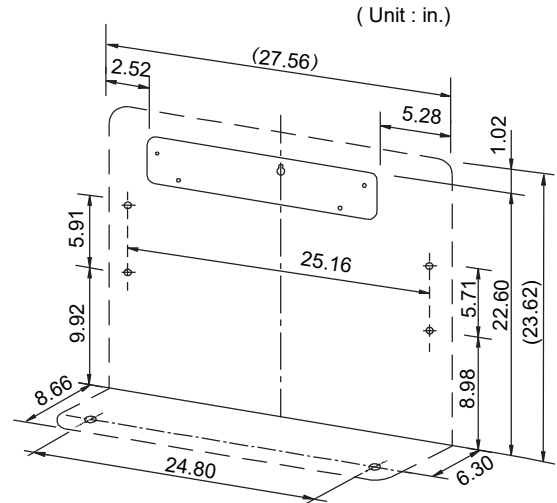


## Console Installation

### Step 3. Mounting Bracket (Low Wall Mount Only)

If the unit is to wall mounted, the wall mount bracket is required.

1. Affix the wall bracket to the wall, ensuring it is horizontally level and vertically plumb.
2. Securely fasten the wall bracket to the wall using the four supplied screws.



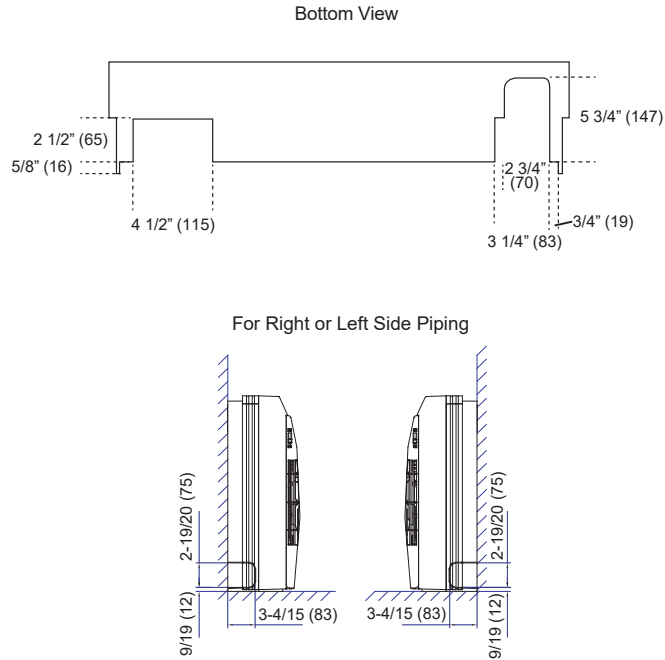
# Installation Instructions

## Console Installation

### Step 4: Piping Bundle Hole

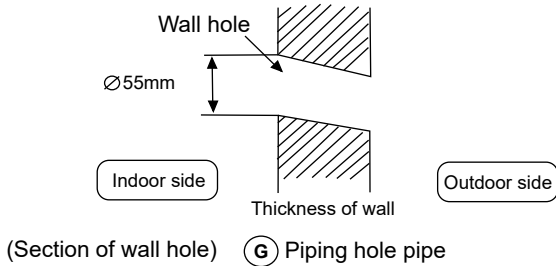
#### A. Determine Hole Position

1. Determine the hole position based on desired piping configuration.



#### B. Drill Hole

1. Drill a 2-3/8" downward-pitched hole for the refrigerant line/condensate drain/wiring bundle.
2. Once bundle is installed, seal the hole.



## Console Installation

### Step 5: Piping Configuration and Installation

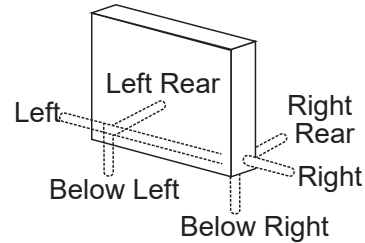
#### A. Piping Configuration

**Rear Piping: NOTE:** Rear piping may exit at any position at the back of the unit.

Route the line set and drain hose through the rear opening.

**Left & Rear-Left Piping:** When routing left or rear-left piping, carefully bend the line set and drain hose to keep flush with the piping cavity in the rear of the unit. Removed the left side knock-out if routing out of the left side.

**Other:** Remove the appropriate piping knockout (if required) according to the desired piping direction, and carefully route the piping to the wall hole.



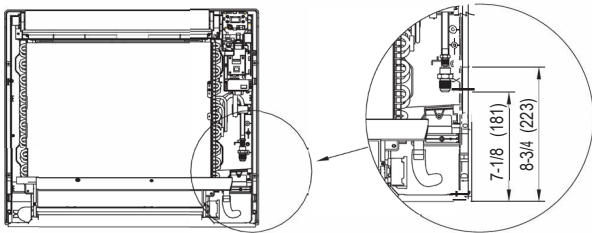
# Installation Instructions

## Console Installation

### Step 5. Piping Configuration and Installation

#### B. Line sets

- The standard line set length is 25 feet. If the installation length is different, adjust the refrigerant charge by 0.2 oz/ft if the liquid line is 1/4", or 0.5 oz/ft if the liquid line is 3/8".
- Make sure the line sets are fully insulated, including the flare connection.
- Coat the outside of the flare with refrigerant oil and connect pipes.
- To join the line set, directly align the tubing flare to the fitting on the other pipe. Slide the nut onto the fitting and hand tighten.



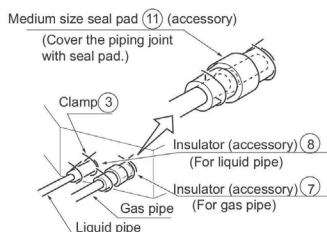
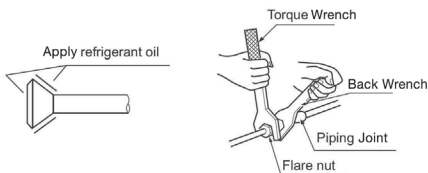
**NOTE:** Follow standard practices for creating pipe flares. When cutting and reaming the tubing, use caution to prevent dirt or debris from entering the tubing. Remember to place nut over the tubing before flaring.

#### Torque Specifications

Torque the fittings according to the specifications shown in the torque chart below.

Pipe Diameter $\phi$	Fastening torque
Liquid side 6.35mm (1/4")	18N.m/13.3Ft.lbs
Liquid/Gas side 9.52mm (3/8")	42 N.m/30.1Ft.lbs
Gas Side 12.7mm (1/2")	55N.m/40.6Ft.lbs
Gas side 15.88mm (5/8")	60 N.m/44.3Ft.lbs

- Two wrenches are required to join the flare connection; one standard wrench and one torque wrench adjusted to the proper settings.
- Repeat the process for attaching the other end of the line set.

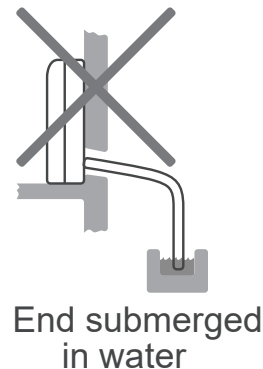
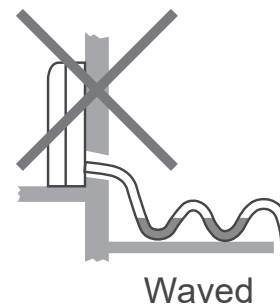


## Console Installation

### Step 5. Piping Configuration and Installation

#### C. Condensate Piping

1. If the condensate drain hose passes through an interior space, ensure it is properly insulated.
2. The drain hose should have a downward slope to allow for proper condensate flow. The use of a condensate pump will be required if a downward slope can not be achieved.
3. Drain hose diameter should be equal to, or larger than that of the factory piping ( $\phi$  5/8" [16.5mm]).





# Installation Instructions

## Console Installation

**NOTE:** Be sure to keep all piping and electrical wrapped as tight as possible to ensure the unit will sit flush against the wall.

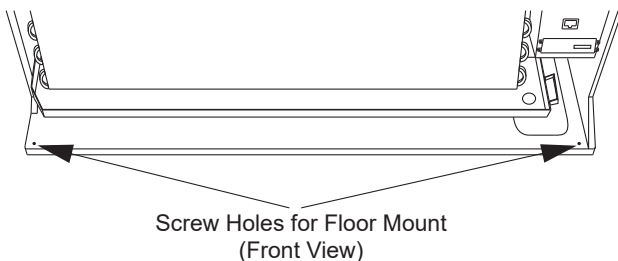
Allow slight slack in the piping to allow for easier positioning and serviceability.



## Step 6: Indoor Unit Placement

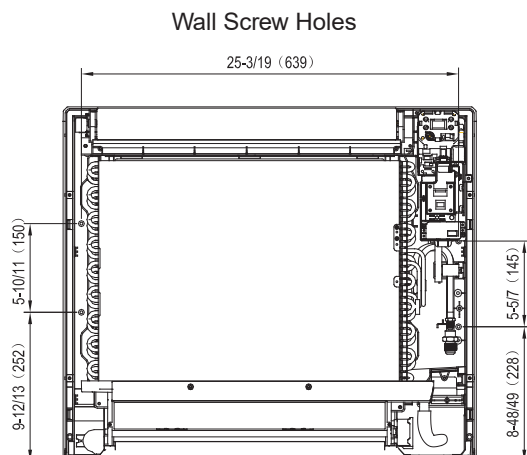
### A. Floor Mount

1. Fasten the unit to the floor through the 2 floor mounting screw holes located in the front of the base of the chassis.
2. Fasten the console unit to the wall through the 4 wall screw holes at the rear of the chassis. Tighten the screws securely.



### B. Mounting the Indoor Unit on the Wall

1. Hook the top of the console unit onto the wall mounting bracket.
2. Fasten the console unit to the wall through the 4 wall screw holes at the rear of the chassis. Tighten the screws securely.

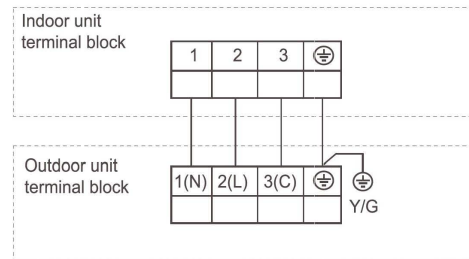
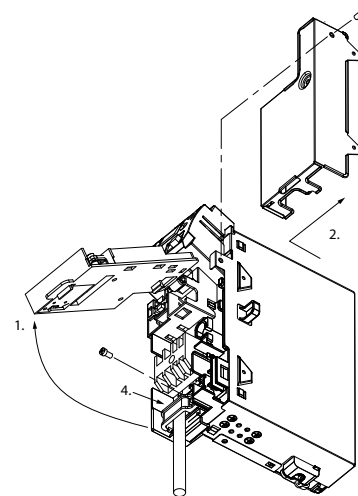


## Console Installation

### Step 7. Wiring Connections

**NOTE:** The unit should be installed by a licensed contractor/electrician. If required by applicable national, state and local codes; a disconnect switch will need to be installed when the indoor unit is powered from the outdoor unit.

1. Lift the panel containing the WiFi module and diagnostic port.
2. Remove the screw on the right side of the cover and remove the cover.
3. Make wiring connections at each terminal according to wiring diagram. (Take note of the color of the wire at each terminal and ensure the wires are connected to the outdoor unit accordingly.)
4. Secure the cable to the indoor unit using the strain relief strap.
5. Replace the board cover and lower the panel.



## ⚠ WARNING

When making power supply connections, connect wires of the same specification and wire size (as described below)

Connect wires of the same specifications at two sides.



Don't connect wires of the same specifications at one side.



Don't connect wires of different specifications.



# Installation Instructions

## Console Installation

### Step 8. Front Casing Installation

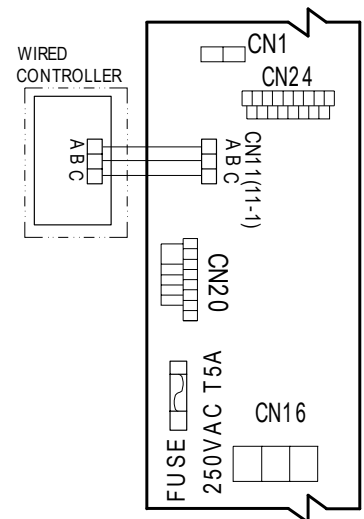
1. See Step 2. Perform steps in reverse.

## Console Installation

### Step 9. Controller Connections

#### A. Wired Controller (Optional)

- Do not splice or extend cable without first reading the control installation manual.
  - Route controller cable where it is inaccessible to occupants.
1. Follow instructions in Step 2 to remove console unit front panel.
  2. Lift the panel containing the WiFi and diagnostic boards.
  3. Pull cover off the control box.
  4. Unplug the wire connectors for the upper louver, fan motor, coil sensor, and lower damper.
  5. Remove ground screw from evaporator.
  6. Remove screw securing the control box to the cabinet.
  7. Remove the control box from the cabinet.
  8. Remove the cover screw from the bottom of the control box.
  9. Remove the control box cover.
  10. Using the end of the wall control cable with ground wire, route the cable through the bottom of the box next to the ground screw.
  11. Plug in the cable to CN11-1 on the board.
  12. Connect ground wire to ground terminal of the terminal block.
  13. Reverse steps 1-9 to reassemble the unit.



#### **⚠ WARNING**

Incorrect controller wiring installation may cause electric shock, fire, and/or malfunction

#### B. Wifi Pairing

1. Download the “GE Comfort” app from Google Play (Android) or the Apple app store (IOS).



After downloading the App:

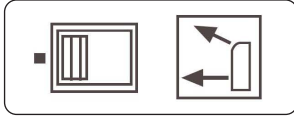
2. Open the app.
3. Select “Sign In”.
4. Sign into your account or register as a new user.
5. Select the “+” icon to add a new device and follow the directions in the app.

# Installation Instructions

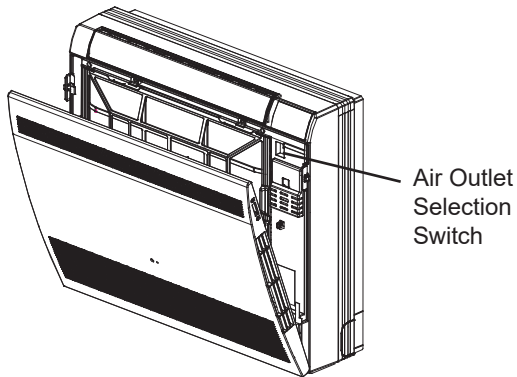
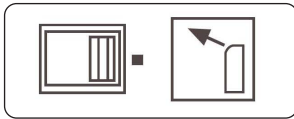
## Console Installation

### Step 10. Airflow Configuration Setting

When the Air Outlet Selection Switch (found behind the filter cover, see illustration) is set in the left position, the airflow outlet is determined by the mode of operation (heating or cooling). This is the factory default setting.



When the Air Outlet Selection Switch set in the right position, airflow will be supplied only out of the upper outlet. This setting must be made manually.



# Installation Instructions

## Final Check

### Start Up Checklist

- |   |  |
|---|--|
| <input type="checkbox"/> Refrigerant charge is verified and system has been leak tested     | <input type="checkbox"/> Indoor and outdoor units match                                  |
| <input type="checkbox"/> Line sets have been insulated<br>Electrical connections are secure | <input type="checkbox"/> Indoor and outdoor units are firmly mounted                     |
| <input type="checkbox"/> Has the electrical ground been checked and verified                | <input type="checkbox"/> Power source voltage is within tolerances                       |
| <input type="checkbox"/> Electrical wiring terminals match at indoor and outdoor unit       | <input type="checkbox"/> The indoor and outdoor sections are quiet and free of vibration |
| <input type="checkbox"/> Wire between outdoor and indoor must be 14/4 stranded              | <input type="checkbox"/> All functions of the controller have been verified              |
| <input type="checkbox"/> The outdoor to indoor wires free of splices                        | <input type="checkbox"/> Operation in cooling or heating modes is normal                 |
| <input type="checkbox"/> Condensate drain has correct pitch and has been leak tested        | <input type="checkbox"/> Operation of the system has been explained to the owner         |

## Explaining Operation to the End User

- Using the User Manual, explain to the user how to use the air conditioner/heat pump, (the remote controller, adding/removing the air filters, placing or removing the remote controller from the remote control holder, cleaning methods, precautions for operation, etc.)
- Review precautions for operation.
- Recommend that the user read the Operating Instructions carefully.

# Limited Warranty

For the product models listed on Attachment 1 (the "Product"), this Standard Limited Warranty is provided to the Original Owner of the Product:

For The Period Of:	GE Appliances Will Replace:
5 year limited parts warranty From the date of the original purchase	This limited warranty cover all defects in workmanship or material for the mechanical and electrical parts contained in the Product ("Defective Parts") for a period of 5 years from the Date of Purchase. GE Appliances will provide new or refurbished parts, or a replacement for all or part of the unit, at its sole discretion, to your licensed HVAC technician installer. This warranty also covers all defects in workmanship or material for the unit controller for a period of 1 year. The remote controller is covered by 1-year accessory warranty. The ductless system is covered by standard warranty. GE Appliances will provide a new or refurbished controller, at its sole discretion.
7 year compressor warranty from the date of the original purchase	The compressor contained in this product is warrantied for a period of 7 years from the Date of Purchase. GE Appliances will provide a new or refurbished compressor, or a replacement for all or part of the unit, at its sole discretion, to your licensed HVAC technician installer.

## WHAT IS THE DATE OF PURCHASE

The "Date of Purchase" is the date that the original installation is complete and all product start-up procedures have been properly completed and verified by the installer's invoice. If the installation date cannot be verified, then the Date of Purchase will be sixty (60) days after the manufacture date, as determined by the Product's serial number. You should keep and be able to provide your original sales receipt from the installer as proof of the Date of Purchase. In new construction, the Date of Purchase will be the date the owner purchased the residence from the builder.

## WHO IS COVERED

Owner occupied: The "Original Owner" of this product, which means the original owner (and his or her spouse) of the residence where the Product was originally installed. Subject to the law of the state or province where the Product is installed, this warranty is not transferable to subsequent owners or if the product is moved to a different residence after the initial installation. Non-owner occupied: This limited warranty is provided for product 1) installed in a) single family or multi-family non-owner occupied residential buildings, or b) non-industrial commercial applications, (such as office buildings, retail establishments, hotels/motels) where the product is not subjected to an atmosphere with corrosives or high levels of particulates (such as soot, aerosols, fumes, grease), and 2) if the product is maintained annually by a licensed HVAC technician (proof of annual maintenance is required). The "Original Owner" of the product, means the original owner of the building where the product was originally installed. For new construction, the purchaser of the building from the builder will also be considered an original owner. This warranty is not transferable to subsequent owners or if the product is moved to a different location after the initial installation.

## HOW CAN YOU GET SERVICE

Contact your licensed HVAC technician installer. All installation and service must be performed by a licensed HVAC technician. Failure to use a licensed HVAC technician for installation of this Product voids all warranty on this Product..

## THIS WARRANTY DOES NOT COVER

- Damage from improper installation.
- Damage in shipping.
- Defects other than from manufacturing (i.e., workmanship or materials).
- Damage from misuse, abuse, accident, alteration, lack of proper care and/or regular maintenance, or incorrect electrical voltage or current.
- Damage resulting from floods, fires, wind, lightning, accidents or similar conditions.
- Damage from installation or other services performed by other than a licensed HVAC technician.
- Labor and related services for repair or installation of the Product.
- A Product purchased from an online retailer.
- Damage as a result of subjecting Product to an atmosphere with corrosives or high levels of particulates (such as soot, aerosols, fumes, grease).
- A Product sold and/or installed outside of the 50 United States, the District of Columbia, or Canada.
- Batteries for the controller and other accessories provided with the Product for installation (e.g., plastic hose).
- Normal maintenance, such as cleaning of coils, cleaning filters, and lubrication.
- For Product installed in non-owner occupied applications, Product that has not been maintained annually by a licensed HVAC technician (proof required).

Staple your receipt here. Proof of the original purchase date is needed to obtain service under the warranty.

# Limited Warranty

---

## 10 YEAR STANDARD REGISTERED LIMITED WARRANTY

---

All “Indoor and Outdoor Products,” identified in Attachment 1, registered by the installer or the Original Owner within 60 days of the Date of Purchase shall receive a Standard Registered Limited Warranty, which shall be identical to the Standard Base Warranty, except that the Limited Parts Warranty shall be for a term of 10 Years and the Limited Compressor Warranty shall be for a term of 10 years. All Product not registered within 60 days of the Date of Purchase shall be subject to the Standard Base Warranty. Some states and provinces do not allow warranty terms to be subject to registration; in those states and provinces the longer terms for Limited Parts Warranty and the Limited Compressor Warranty apply.

---

**THIS LIMITED WARRANTY IS GIVEN IN LIEU OF ALL OTHER WARRANTIES, EXPRESS OR IMPLIED, INCLUDING THE WARRANTIES OF MERCHANTABILITY AND FITNESS FOR A PARTICULAR PURPOSE.**

---

The remedy provided in this warranty is exclusive and is granted in lieu of all other remedies. This warranty does not cover incidental or consequential damages. Some states and provinces do not allow the exclusion of incidental or consequential damages, so this limitation may not apply to you. Some states and provinces do not allow limitations on how long an implied warranty lasts, so this limitation may not apply to you. This warranty gives you specific legal rights and you may also have other rights which vary by state and province. This warranty covers units within the 50 United States, the District of Columbia and Canada. This warranty is provided by GE Appliances a Haier company, Louisville, KY 40225.

---

## ATTACHMENT 1

---

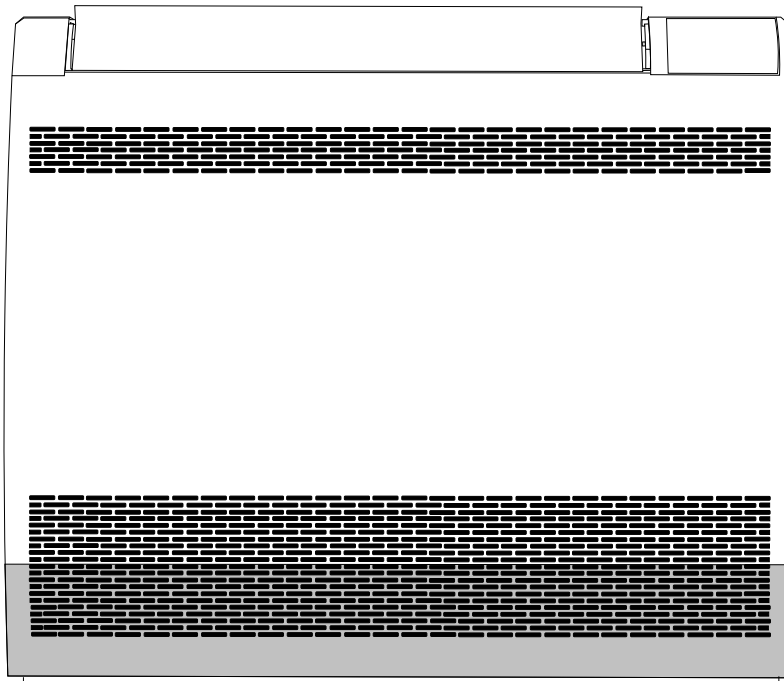
The “Product” is defined as Ductless Split Units manufacture by GE Appliances, a Haier Company. The “Product” contains 2 sub-categories of goods: “Indoor and Outdoor Products”.



**GE APPLIANCES**  
*a Haier company*

# Instructions d'installation

# Console au Sol



**LIRE ATTENTIVEMENT.  
CONSERVEZ CES INSTRUCTIONS.**

# CONSIGNES DE SÉCURITÉ IMPORTANTES

## LISEZ TOUTES LES INSTRUCTIONS AVANT D'UTILISER LE SYSTÈME

### **⚠ AVERTISSEMENT**

Pour votre sécurité, les renseignements dans ce manuel doivent être observés afin de minimiser le risque d'incendie, de décharge électrique ou de blessure.

- Utilisez cet équipement uniquement aux fins auxquelles il est fait mention dans ce manuel d'utilisation.
- Avant son utilisation, ce climatiseur doit être installé correctement en conformité avec les instructions d'installation.
- Tout le câblage doit présenter des valeurs nominales compatibles avec l'alimentation électrique spécifiée sur la plaque signalétique. Utilisez seulement du fil de cuivre.
- Toute la partie électrique de l'installation doit être exécutée par un électricien agréé selon les codes de l'électricité local et national.
- Toute réparation doit être effectuée par une personne qualifiée.

**Si une réparation exige de pénétrer dans le système de frigorigène étanche, la réglementation fédérale impose de faire réaliser le travail par un technicien de Classe II ou détenant une certification universelle.**

- Tous les climatiseurs contiennent un frigorigène qu'il faut retirer avant de disposer du produit en vertu de la loi fédérale. Si vous vous débarrassez d'un produit qui contient un frigorigène, informez-vous auprès de l'organisme responsable d'en disposer.
- Ces systèmes de climatisation R-410A exigent que les entrepreneurs et les techniciens utilisent des outils, des équipements et des normes de sécurité approuvés pour ce type de frigorigène. N'utilisez PAS un équipement certifié pour le frigorigène R22 seulement.

### **⚠ AVERTISSEMENT**

**RISQUE DE CHOC ÉLECTRIQUE. Peut occasionner une blessure ou la mort.**

- Une mise à la terre est essentielle avant de brancher l'alimentation électrique.
- Coupez l'alimentation électrique à la source avant de procéder à une réparation ou un entretien.
- Réparez ou remplacez immédiatement tout câblage électrique usé ou autrement endommagé. N'utilisez pas un câblage qui présente des fissures ou des marques d'abrasion sur sa longueur ou l'une de ses extrémités.

### **⚠ AVERTISSEMENT**

**RISQUE D'INCENDIE. Peut occasionner une blessure ou la mort.**

- Abstenez-vous d'entreposer ou d'utiliser des matières combustibles, de l'essence ou d'autres vapeurs ou liquides inflammables à proximité de cet appareil ou de tout autre.

## LISEZ ET CONSERVEZ CES INSTRUCTIONS



# Instructions d'installation

POUR OBTENIR DE L'AIDE SUPPLÉMENTAIRE, VISITEZ [GEAPPLIANCES.COM/DUCTLESS](http://GEAPPLIANCES.COM/DUCTLESS) OU COMMUNIQUEZ AVEC L'ASSISTANCE AU CONSOMMATEUR AU 844-487-9443.

## ATTENTION

- N'utilisez pas un cordon de rallonge avec ce système.
- Le câblage de bâtiment en aluminium peut présenter des problèmes particuliers, veuillez consulter un électricien agréé.

## AVANT DE COMMENCER

Veuillez lire toutes ces instructions attentivement.

**. IMPORTANT** — Conservez ces instructions à l'usage de l'inspecteur local.

**. IMPORTANT** — Observez tous les codes et ordonnances en vigueur.

- **Note à l'installateur** — Assurez-vous de laisser ces instructions au consommateur.
- **Note au consommateur** - Conservez ces instructions pour référence ultérieure.
- **Niveau de compétence** — Un technicien (pour manipuler le frigorigène R-410A, récupération, etc.) et un électricien agréés sont requis pour l'installation y servicio de ce thermopompe à deux blocs.
- L'exactitude de l'installation est la responsabilité de l'installateur.
- La garantie ne couvre pas les défauts du produit causés par une installation inadéquate.
- Pour votre sécurité, ce produit doit être correctement mis à la terre.
- Les dispositifs de protection (fusibles ou disjoncteurs) admissibles pour l'installation sont spécifiés sur la plaque signalétique de chaque unité.
- Si une réparation exige de pénétrer dans le système de frigorigène étanche, la réglementation fédérale impose de faire réaliser le travail par un technicien de Classe II ou détenant une certification universelle.

## Tenue de dossiers

Merci d'avoir acheté ce produit GE Appliances. Ce manuel d'installation vous aidera à tirer le meilleur parti de votre nouvelle thermopompe.

Pour référence future, notez le modèle et le numéro de série situés sur l'étiquette située sur le côté de votre thermopompe, ainsi que la date d'achat.

Attachez votre preuve d'achat à ce manuel pour vous aider à obtenir le service de garantie si nécessaire.

Pour enregistrer votre nouveau système GE Appliances Duct Free, rendez-vous sur [GEAppliances.com/ductless](http://GEAppliances.com/ductless) et entrez les informations de modèle / numéro de série sur cette page. Pour bénéficier d'une garantie de 10 ans sur les compresseurs et les pièces, vous devez vous enregistrer dans les 60 jours suivant l'installation.

\_\_\_\_\_  
Numéro de modèle

\_\_\_\_\_  
Numéro de série

\_\_\_\_\_  
Date d'achat



# Instructions d'installation

## Spécifications

Intérieur	USYF09UCDWA	USYF12UCDWA	USYF18UCDWA
Capacité de climatisation nominale Btu/h	9,000	12,000	15,000
Capacité de chauffage nominale Btu/h	10,000	13,000	18,000
Tension, Cycle, Phase V/Hz/-	208-230/60/1		
Débit d'air (Turbo/Haut/Moy/Bas/Silence) pi <sup>3</sup> /min	264/235/205/176/147	294/264/235/205/176	341/311/282/252/223
Niv. sonore int. (Turbo/Haut/Moy/Bas/Silence) dB	40/32/25/20	42/34/26/21	46/37/33/28
Dimensions du châssis : H x L x P po (mm)	23.6/27.5/8.7 (600/700/220)		
Poids (Exp./Net) – lb (kg)	36/40 (16.5/18.5)		
Liquide/Aspiration D.E. po	1/4 3/8	1/4 3/8	1/4 1/2
Tuyau d'évacuation D.E. po (mm)	φ 5/8 (16.5)		

## Outils nécessaires pour l'installation

- Fil torsadé 14/4 AWG
- Clé 5/8 (16 mm), 7/8 (22 mm), 1 po (25 mm) ou réglable
- Frigorigène R-410A\*
- Ruban adhésif
- Bride de câble de conduit 1/2 po\*
- Tuyauterie en cuivre
- Tournevis cruciforme no 2
- Perceuse
- Outil à évaser pour R-410A
- Clé hexagonale
- Scie-cloche 2 1/4 po
- Isolant\*
- Balance pour réfrigérant
- Niveau
- Ensemble de manomètre de pression
- Ruban à mesurer
- Microvacuomètre
- Adaptateur « mini-split » (5/16 po F à 1/4 po M)
- Azote\*
- Coupe-tuyau
- Tuyau PVC (facultatif)
- Couteau utilitaire
- Alésoir
- Bride de tuyau (L.S.) avec vis
- Scellant, non expansif (pour trou de tuyauterie)
- Solution d'eau savonneuse\* ou détecteur de fuite de gaz
- Localisateur de montants
- Clé dynamométrique
- Pompe à vide
- Pincés à dénuder
- Tous les outils manuels ou électriques pour CVC ainsi que les appareils de mesure et de test.

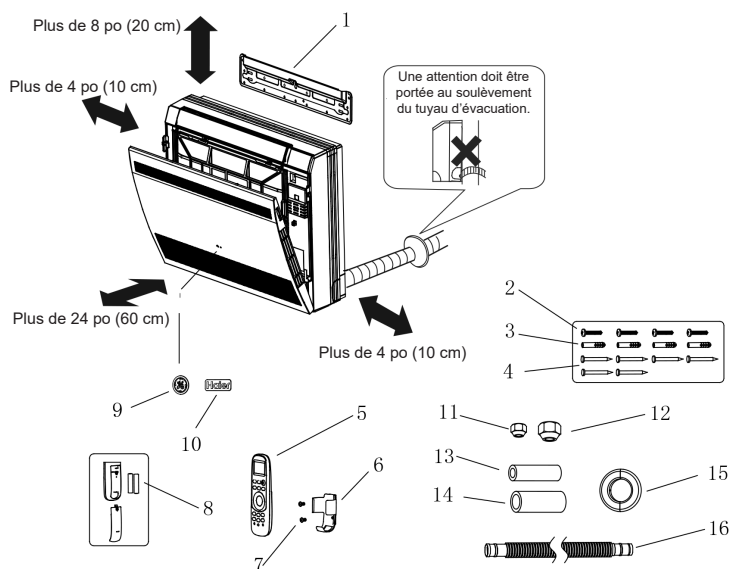
\*consommables

# Instructions d'installation

## Préparation de l'installation

### Accessoires

1	Support mural	1
2	Vis pour (1) 4×25 mm	4
3	Manchon de plastique pour (2)	4
4	Clou	6
5	Télécommande	1
6	Support de télécommande	1
7	Vis pour (8) 4×12 mm	2
8	Pile(s) pour (6)	2
9	Écusson GE	1
10	Écusson Haier	1
11	Écrou conique pour tuyau de liquide	1
12	Écrou conique pour tuyau de gaz	1
13	Tuyau isolé (liquide)	1
14	Tuyau isolé (aspiration)	1
15	Anneau de garniture	1
16	Tuyau d'évacuation	1



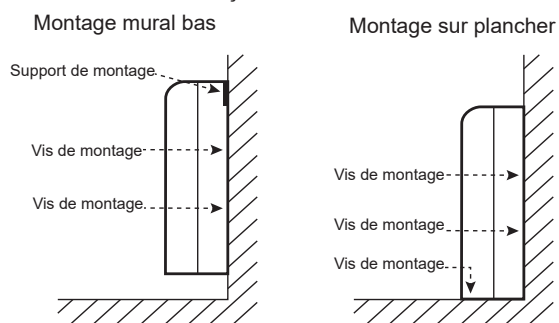
## Préparation de l'installation

### Étape 1. Sélection de l'emplacement de l'unité intérieure

- Assurez une distribution d'air appropriée, sans obstacles.
- Assurez-vous de l'absence de chaleur ou de vapeur à proximité de l'unité.
- Sélectionnez un emplacement où aucun obstacle ne se trouve devant l'unité, avec un dégagement d'un minimum de 24 po (60 cm).
- Assurez-vous que l'évacuation du condensat peut s'effectuer d'une façon pratique.
- N'installez pas l'unité près d'une entrée de porte.
- Assurez-vous que le dégagement à la droite et la gauche de l'unité est supérieur à 4 po (10 cm). Il faut installer l'unité aussi bas que possible sur le mur et laisser un minimum de 8 po (20 cm) jusqu'au plafond (voir l'illustration ci-dessus pour les dégagements).
- Utilisez un localisateur de montants pour repérer et marquer ceux-ci et ainsi prévenir l'endommagement du mur.

- Installez à un endroit suffisamment robuste pour supporter le plein poids et les vibrations de l'unité.
- Laissez suffisamment d'espace pour permettre l'entretien de routine.
- Sélectionnez un endroit qui facilite le retrait et le nettoyage des filtres à air.
- L'appareil doit se trouver à au moins 36 po (91 cm) des autres appareils électriques, tels que téléviseurs et systèmes audio.

On peut procéder à l'installation intérieure de l'une des deux façons suivantes :

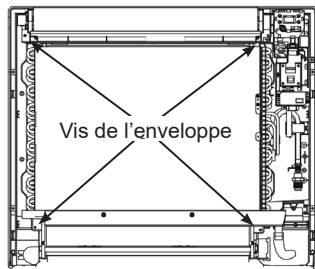
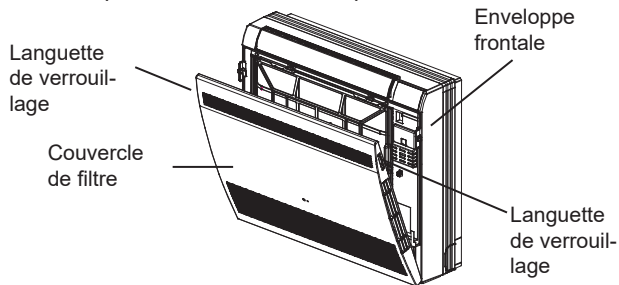


# Instructions d'installation

## Préparation de l'installation

### Étape 2. Retrait de l'enveloppe frontale

1. Poussez vers le bas les languettes de verrouillage du couvercle de filtre situées sur les côtés droit et gauche supérieurs du couvercle de filtre pour libérer le couvercle.
2. Tirez le couvercle de filtre vers vous pour le retirer.
3. Repérez et retirez les 4 vis de l'enveloppe comme illustré sur la figure ci-dessous.
4. Il est alors possible de retirer l'enveloppe frontale. Depuis le bas du couvercle frontal, tirez vers le haut et à l'écart du châssis puis décrochez le haut pour retirer.

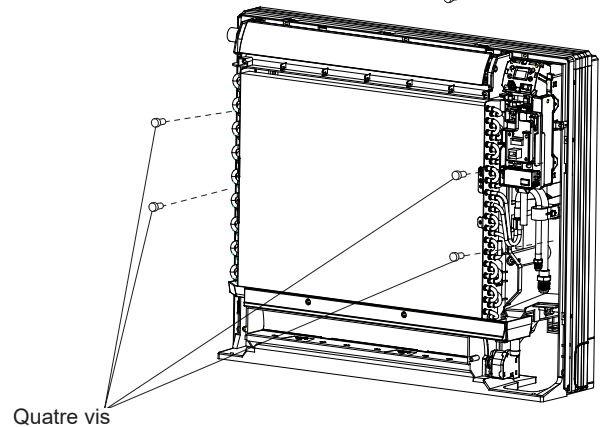
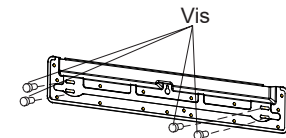
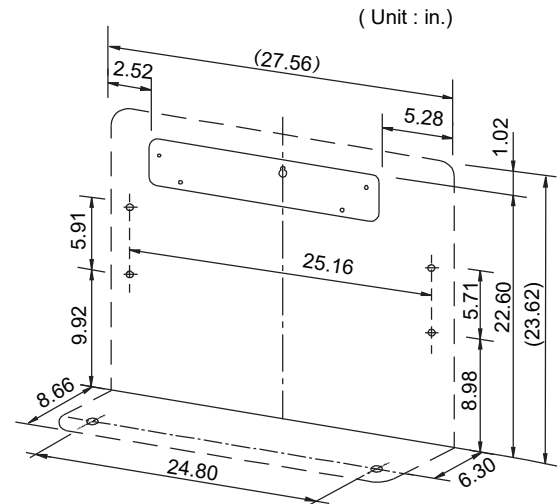


## Installation de la console

### Étape 3 : Support de montage (montage mural bas seulement)

If the unit is to wall mounted, the wall mount bracket is required.

1. Placez le support mural contre le mur en vous assurant qu'il est de niveau et d'aplomb.
2. Fixez le support mural sur le mur à l'aide des quatre vis fournies.



# Instructions d'installation

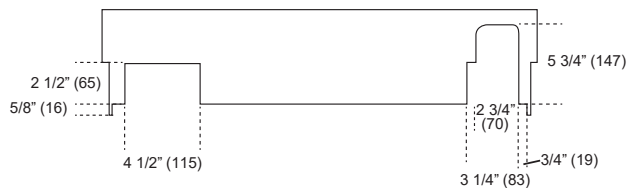
## Installation de la console

### Étape 4 : Trou pour la tuyauterie et le câblage

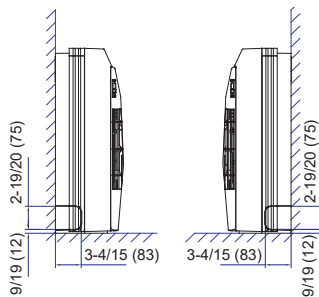
#### A. Déterminer la position du trou

1. Déterminez la position du trou selon la configuration de tuyaux désirée.

Vue de dessous

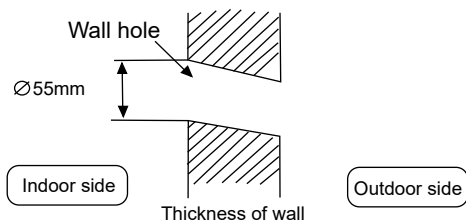


Tuyauterie sur les côtés droit ou gauche



#### B. Trou percé

1. Percez un trou de 2 3/8 po incliné vers le bas pour faire passer le tuyau de réfrigérant, le tuyau d'évacuation et le câblage.
2. Une fois tous ces éléments installés, scellez l'orifice.



(Section of wall hole) **G** Piping hole pipe

## Installation de la console

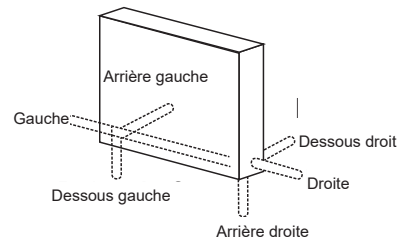
### Étape 5 : Configuration et installation de la tuyauterie

#### A. Configuration de la tuyauterie

**Tuyauterie arrière:** **Remarque :** La tuyauterie arrière peut sortir à n'importe quelle position derrière l'unité. Acheminez la tuyauterie (y compris le tuyau d'évacuation) à travers l'orifice arrière.

**Tuyauterie à gauche et à l'arrière gauche:** Lorsque vous acheminez tuyauterie à gauche et à l'arrière gauche, courbez avec soin la tuyauterie pour rester à égalité avec la cavité pour tuyauterie à l'arrière de l'unité. Retirez la débouchure du côté gauche si vous acheminez de ce côté.

**Autres** Retirez la débouchure pour tuyauterie appropriée (si nécessaire) selon la direction désirée, et acheminez avec soin la tuyauterie dans le trou mural.



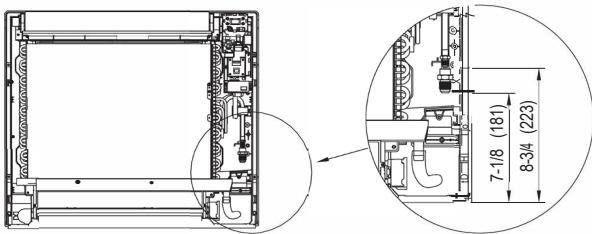
# Instructions d'installation

## Installation de la console

### Étape 5 : Configuration et installation de la tuyauterie

#### B. Tuyauterie

- La longueur de tuyauterie standard est de 25 pieds (7,6 m). Si la longueur de l'installation est différente, ajustez la charge de réfrigérant de 0,2 oz/pi si le tuyau de liquide est de 1/4 po, ou de 0,5 oz/pi si ce tuyau est de 3/8 po.
- Assurez-vous que la tuyauterie est complètement isolée, y compris l'évasement des tuyaux.
- Enrobez l'extérieur de l'évasement des tuyaux avec de l'huile pour réfrigérant et raccordez les tuyaux.
- Pour joindre les tuyaux, alignez l'évasement de l'un sur le raccord de l'autre. Glissez l'écrou sur le raccord et serrez à la main.



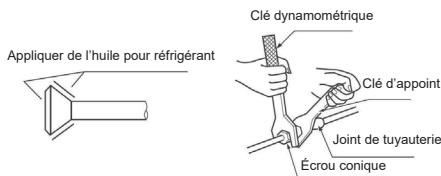
**REMARQUE :** Suivez les pratiques standard pour former les évasements des tuyaux. Lors de la coupe ou de l'alésage d'un tuyau, usez de prudence pour empêcher la saleté et les débris de pénétrer dans la tuyauterie. N'oubliez pas de placer l'écrou sur le tuyau avant de l'évaser.

#### Spécifications de couple de serrage

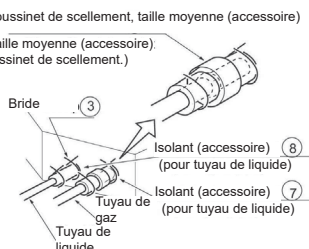
Serrez les raccords selon les spécifications indiquées dans le tableau des couples de serrage ci-dessous.

Diamètre du tuyau (ø)	Couple de serrage
Côté liquide 6,35 mm (1/4 po)	18 N m/13,3 lb-pi
Côté gaz 9,52 mm (3/8 po)	42 N m/30,1 lb-pi
Côté gaz 12,7 mm (1/2 po)	55 N m/40,6 lb-pi
Côté gaz 15,88 mm (5/8 po)	60 N m/44,3 lb-pi

- Deux clés sont nécessaires pour raccorder un évasement; une clé standard et une clé dynamométrique réglée au couple de serrage approprié.
- Répétez la manœuvre pour raccorder l'autre extrémité de la tuyauterie.



Coussinet de scellement, taille moyenne (accessoire)  
Coussinet de scellement, taille moyenne (accessoire)  
(Couvrir le joint avec le coussinet de scellement.)

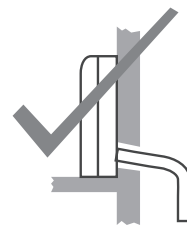


## Installation de la console

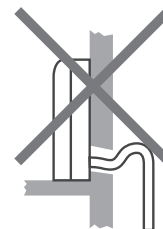
### Étape 5 : Configuration et installation de la tuyauterie

#### C. Tuyau d'évacuation du condensat

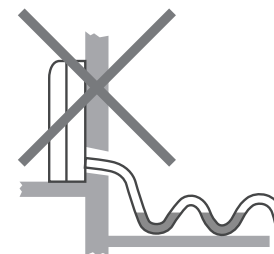
1. Si le tuyau d'évacuation du condensat passe à travers un espace intérieur, assurez-vous que le tuyau est correctement isolé.
2. Le tuyau d'évacuation doit avoir une inclinaison descendante pour obtenir un écoulement du condensat satisfaisant. Une pompe à condensat sera nécessaire s'il est impossible d'obtenir une inclinaison descendante.
3. Le diamètre du tuyau d'évacuation doit être égal ou supérieur à celui de la tuyauterie d'usine (5/8 po [16,5 mm]).



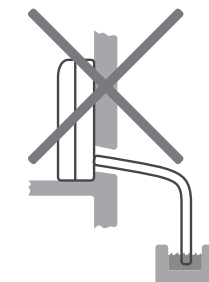
Inclinaison descendante



Remontée



Ondulation



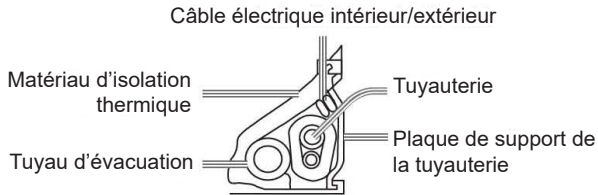
Extrémité immergée dans l'eau

# Instructions d'installation

## Installation de la console

**Remarque :** Assurez-vous de garder toute la tuyauterie et le câblage électrique enveloppés aussi étroitement que possible afin que l'unité repose à égalité contre le mur.

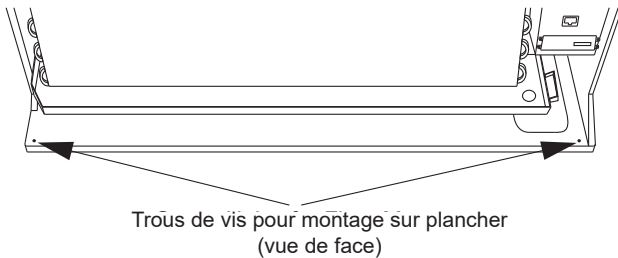
Laissez un peu de jeu dans la tuyauterie pour faciliter son installation et son entretien.



## Étape 6 : Placement de l'unité intérieure

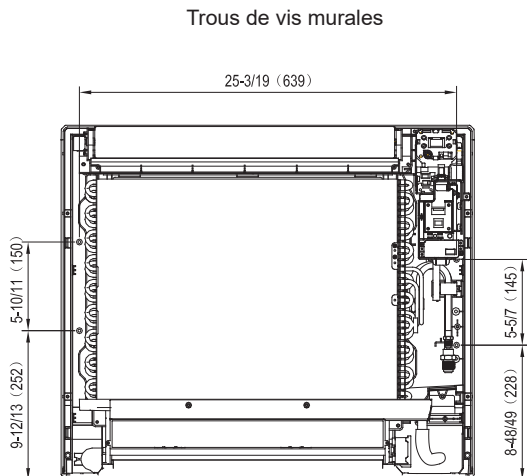
### A. Montage sur plancher

1. Fixez l'unité sur le plancher à travers les 2 trous de vis de montage sur plancher situées sur le devant de la base du châssis.
2. Fixez l'unité à console sur le mur à travers les 4 trous de vis murales à l'arrière du châssis. Serrez les vis solidement.



### B. Monter l'unité intérieure sur le mur

1. Accrochez le haut de l'unité à console sur le support de montage mural.
2. Fixez l'unité à console sur le mur à travers les 4 trous de vis murales à l'arrière du châssis. Serrez les vis solidement.

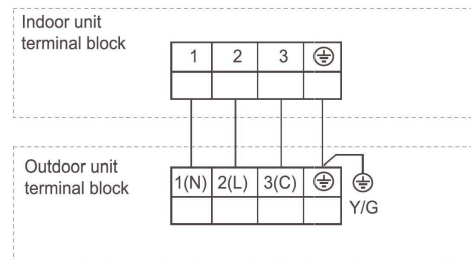
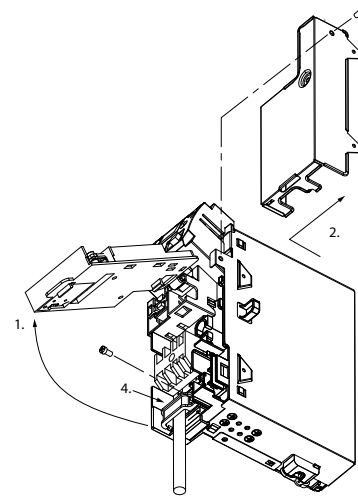


## Installation de la console

### Étape 7 : Raccordements du câblage

**Remarque :** L'unité doit être installée par un entrepreneur/électricien agréé. Si cela est requis par les codes national, provincial ou local, un disjoncteur devra être installé si l'unité intérieure est alimentée depuis l'unité intérieure.

1. Soulevez le panneau qui contient le module Wi-Fi et le port de diagnostic.
2. Retirez la vis sur le côté droit du couvercle et retirez le couvercle.
3. Effectuez les connexions des fils à chaque borne selon le schéma de câblage. (Notez la couleur de fil à chaque borne et assurez-vous que les fils correspondants sont connectés à l'unité extérieure.)
4. Fixez le câble à l'unité intérieure à l'aide du réducteur de tension.
5. Remplacez le couvercle et abaissez le panneau.



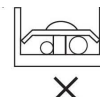
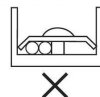
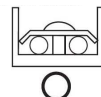
### ⚠ AVERTISSEMENT

Pour les connexions de l'alimentation électrique, connectez les fils dont les spécifications et le calibre sont les mêmes (selon les descriptions ci-dessous).

Connecter des fils de mêmes spécifications sur les deux côtés.

Ne pas connecter des fils de mêmes spécifications sur un côté.

Ne pas connecter des fils de spécifications différentes.



# Instructions d'installation

## Installation de la console

### Étape 8 : Installation de l'enveloppe frontale

1. Voir l'étape 2. Suivez les étapes à l'inverse.

## Installation de la console

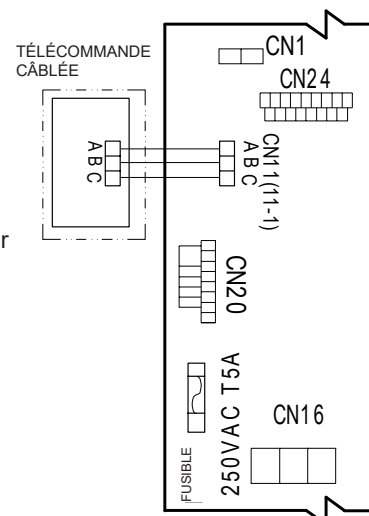
### Étape 9 : Connexions de la télécommande

#### A. Télécommande câblée (facultatif)

- Ne procédez pas à une épissure ou un allongement de câble sans d'abord lire le manuel d'installation de la télécommande.

- Acheminez le câble de la télécommande là où il ne pourra être atteint par les occupants.

1. Suivez les instructions de l'étape 2 pour retirer le panneau frontal de l'unité à console.
2. Soulevez le panneau qui contient les cartes Wi-Fi et de diagnostic.
3. En tirant, retirez le couvercle du boîtier de la télécommande.
4. Débranchez les connexions de fils pour l'évent supérieur, le moteur de ventilateur, le capteur de serpentin et le registre inférieur.
5. Retirez la vis de terre de l'évaporateur.
6. Retirez la vis qui fixe le boîtier de la télécommande sur la carrosserie.
7. Retirez le boîtier de la télécommande sur la carrosserie.
8. Retirez la vis de couvercle dans le bas du boîtier de la télécommande.
9. Retirez le couvercle du boîtier de la télécommande.
10. À l'aide de l'extrémité du câble de la télécommande murale munie du fil de terre, acheminez ce câble à travers le bas du boîtier près de la vis de terre.
11. Branchez le câble à CN11-1 sur la carte.
12. Connectez le fil de terre sur la borne de terre du bornier.
13. Inversez les étapes 1 à 9 pour réassembler l'unité.



#### ⚠ AVERTISSEMENT

Une installation incorrecte de la télécommande câblée peut occasionner une décharge électrique, un incendie et/ou une défektivité.

#### B. Appariement Wi-Fi

1. Téléchargez l'application « GE Comfort » sur Google Play (Android) ou Apple (IOS).

Après le téléchargement de l'application :

2. Ouvrez l'application.
3. Sélectionnez « Sign In » (se connecter).
4. Connectez-vous à votre compte ou enregistrez-vous comme nouvel utilisateur.
5. Sélectionnez l'icône « + » pour ajouter un nouvel appareil et suivez les instructions de l'application.



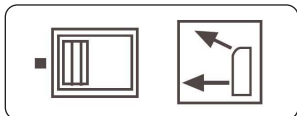


# Instructions d'installation

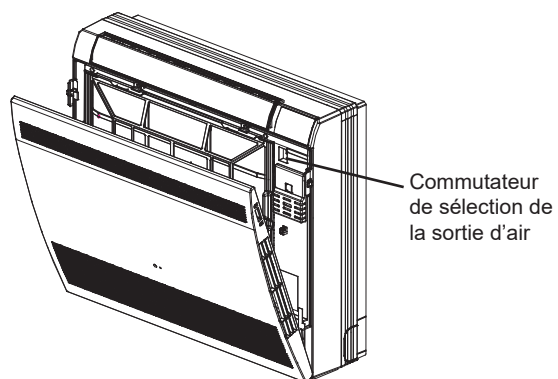
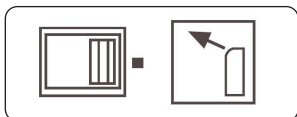
## Installation de la console

### Étape 10 : Réglage de la configuration de la circulation d'air

Lorsque le commutateur de sélection de la sortie d'air (situé derrière le couvercle de filtre, voir l'illustration) est réglé à gauche, la sortie d'air est déterminée par le mode de fonctionnement (chauffage ou climatisation). Il s'agit du réglage par défaut de l'usine.



Lorsque le commutateur de sélection de la sortie d'air est réglé à droite, la circulation d'air proviendra seulement de la sortie supérieure. Ce réglage doit être effectué manuellement.



# Instructions d'installation

## Vérification finale

### Vérification avant la mise en service

- |  |   |
|--|---|
| <input type="checkbox"/> La charge de réfrigérant et l'absence de fuites (test) dans le système ont été vérifiées. | <input type="checkbox"/> Les unités intérieure et extérieure correspondent.   |
| <input type="checkbox"/> La tuyauterie a été isolée.   | <input type="checkbox"/> Les unités intérieure et extérieure sont montées solidement.                               |
| <input type="checkbox"/> Les connexions électriques sont solides.  | <input type="checkbox"/> La tension de la source d'alimentation électrique se situe dans les tolérances prescrites. |
| <input type="checkbox"/> Le fil de mise à la terre a été vérifié.  | <input type="checkbox"/> Les sections extérieure et intérieure sont silencieuses et exemptes de vibrations.         |
| <input type="checkbox"/> Les bornes du câblage électrique correspondent entre les unités intérieure et extérieure. | <input type="checkbox"/> Toutes les fonctions de la télécommande ont été vérifiées.                                 |
| <input type="checkbox"/> Le câble entre les unités intérieure et extérieure est de calibre 14/4, toronné.          | <input type="checkbox"/> Le fonctionnement dans les modes climatisation ou chauffage est normal.                    |
| <input type="checkbox"/> Les câbles extérieur et intérieur sont exempts d'épissures.                               | <input type="checkbox"/> Le fonctionnement du système a été expliqué au propriétaire.                               |
| <input type="checkbox"/> Le tuyau d'évacuation du condensat est correctement incliné et ne présente pas de fuites. |   |

## Explication du fonctionnement à l'utilisateur final

- À l'aide du manuel de l'utilisateur, expliquez à ce dernier comment utiliser le climatiseur/thermopompe (la télécommande, l'ajout/le retrait des filtres à air, le placement ou le retrait de la télécommande de son support, les méthodes de nettoyage, les précautions lors du fonctionnement, etc.).
- Révisez les précautions à prendre pour le fonctionnement.
- Recommandez à l'utilisateur de lire attentivement les instructions d'utilisation

# Garantie limitée

Cette Garantie limitée standard est attribuée à l'Acheteur initial du Produit pour les modèles énumérés sous l'Annexe 1 (le « Produit ») ::

For The Period Of:	GE Appliances Will Replace:
Garantie limitée de 5 ans sur les pièces	Cette garantie couvre tous les vices de matière et de fabrication des pièces mécaniques et électriques contenues dans le Produit (« Pièces défectueuses ») durant une période de cinq (5) ans à partir de la Date d'achat. GE Appliances fournira des pièces neuves ou réusinées ou, à sa seule discrétion, un remplacement de l'ensemble ou d'une partie de l'appareil, à votre technicien-installateur en chauffage, ventilation et climatisation agréé. Cette garantie couvre aussi tous les vices de matière et de fabrication du contrôleur de l'appareil durant une période de 1 an. Le contrôleur à distance est couvert par une garantie sur accessoire de un (1) an. Le système sans conduite est couvert par la garantie standard. GE Appliances fournira, à sa seule discrétion, un régulateur neuf ou réusiné.
Garantie de 7 ans sur le compresseur	Le compresseur contenu dans ce produit est garanti durant une période de sept (7) ans à partir de la Date d'achat. GE Appliances fournira un compresseur neuf ou réusiné ou, à sa seule discrétion, un remplacement de l'ensemble ou d'une partie de l'appareil, à votre technicien-installateur en chauffage, ventilation et climatisation agréé.

## QUELLE EST LA DATE D'ACHAT :

La « Date d'achat » est la date à laquelle l'installation d'origine a été complétée et toutes les procédures de mise en service du Produit ont été correctement exécutées et vérifiées d'après la facture de l'installateur. Si la date de l'installation ne peut pas être vérifiée, alors la Date d'achat tombera soixante (60) jours suivant la date de fabrication, telle que déterminée par le numéro de série du Produit. Vous devez conserver et être en mesure de fournir votre ticket de caisse d'origine de l'installateur comme preuve de la Date d'achat. Pour une nouvelle construction, la Date d'achat sera celle à laquelle le propriétaire a acquis sa résidence du constructeur.

## QUI EST COUVERT :

Occupant(s) propriétaire(s) : Le « Propriétaire initial » de ce produit, c'est-à-dire le propriétaire initial (et son épouse ou époux) de la résidence où le Produit a été installé initialement. Sous réserve de la loi de l'État ou la province où le Produit a été installé, cette garantie n'est pas transférable aux propriétaires subséquents ni si le Produit a été déplacé dans une résidence différente après l'installation initiale. Occupant(s) non propriétaire(s) : Cette garantie couvre le Produit 1) installé dans a) un immeuble résidentiel unifamilial ou multifamilial d'occupant(s) non-propriétaire(s), ou b) un immeuble commercial non industriel, (tels que immeubles de bureaux, établissements de vente au détail, hôtels/motels) où le Produit n'est pas exposé à une atmosphère corrosive ou à des niveaux élevés de particules (telles que suie, aérosols, vapeurs, graisse), et 2) si le Produit fait l'objet d'un entretien annuel par un technicien en chauffage, ventilation et climatisation agréé (preuve d'entretien annuel requise). Le « Propriétaire initial » de ce Produit, c'est-à-dire le propriétaire initial de l'immeuble où le Produit a été installé initialement. Pour une nouvelle construction, l'acheteur de l'immeuble du constructeur sera aussi considéré comme le Propriétaire initial. Cette garantie n'est pas transférable aux propriétaires subséquents ni si le Produit a été déplacé à un emplacement différent après l'installation initiale.

## COMMENT OBTENIR UN SERVICE D'INSTALLATION OU DE RÉPARATION :

Communiquez avec votre technicien-installateur en chauffage, ventilation et climatisation agréé. Tous les services d'installation et de réparation doivent être réalisés par un technicien en chauffage, ventilation et climatisation agréé.

L'omission de recourir à un technicien en chauffage, ventilation et climatisation agréé pour l'installation de ce Produit annule toute garantie sur ce Produit.

## ESTA GARANTÍA NO CUBRE

- Les dommages résultant d'une installation incorrecte.
- Les dommages survenus pendant l'expédition.
- Les vices qui ne sont pas attribuables à la fabrication (c.-à-d. matière et main-d'œuvre).
- Les dommages résultant d'un mauvais usage, d'un abus, d'un accident, d'une modification, d'un manque de soins appropriés et/ou d'un entretien régulier, ou d'un courant électrique incorrect.
- Les dommages résultant d'une inondation, d'un incendie, du vent, de la foudre, d'un accident ou de conditions similaires.
- Les dommages résultant d'une installation ou d'autres services réalisés par une personne qui n'est pas un technicien en chauffage, ventilation et climatisation agréé.
- La main-d'œuvre et les services connexes pour la réparation ou l'installation du Produit.
- Un Produit acheté auprès d'un revendeur en ligne.
- Les dommages résultant de l'exposition du Produit à une atmosphère qui comporte des substances corrosives ou des niveaux élevés de particules (telles que suie, aérosols, vapeurs, graisse).
- Un Produit vendu et/ou installé à l'extérieur des cinquante (50) États des États-Unis, du district de Columbia ou du Canada.
- Les piles du contrôleur et des autres accessoires fournis avec le Produit pour l'installation (p.ex. flexible en plastique).
- L'entretien normal tel que le nettoyage des serpentins et des filtres et la lubrification.
- Un Produit installé dans un immeuble occupé par de(s) non propriétaire(s) s'il n'a pas fait l'objet d'un entretien annuel par un technicien en chauffage, ventilation et climatisation agréé (preuve requise).

Agrafez votre reçu ici. Une preuve de la date d'achat originale est nécessaire pour obtenir un service sous garantie

# Garantie limitée

---

## **GARANTIE LIMITÉE ENREGISTRÉE STANDARD DE 10 ANS**

---

Tous les « Produits intérieurs et extérieurs » identifiés dans l'Annexe 1, enregistrés par l'installateur ou le Propriétaire initial dans un délai de soixante (60) jours à partir de la Date d'achat, recevront une Garantie limitée enregistrée standard qui sera identique à la Garantie de base standard, excepté que la période de la Garantie limitée sur les pièces et la Garantie limitée sur le compresseur sera de dix (10) ans. Tout Produit non enregistré dans un délai de soixante (60) jours à partir de la date d'achat sera assujéti à la Garantie de base standard. Certains États et provinces ne permettent pas que les périodes de la garantie soient assujétiées à l'enregistrement; dans ces États et provinces, ce sont les périodes plus longues de la Garantie limitée sur les pièces et la Garantie limitée sur le compresseur qui s'appliquent.

---

## **CETTE GARANTIE LIMITÉE SE SUBSTITUE À TOUTE AUTRE GARANTIE, EXPRESSE OU IMPLICITE, Y COMPRIS TOUTE GARANTIE RELATIVE À LA QUALITÉ MARCHANDE OU L'ADÉQUATION À UN USAGE PARTICULIER.**

---

Le recours autorisé dans cette garantie est exclusif et il est accordé en remplacement de tout autre recours. Cette garantie ne couvre pas les dommages accessoires ou indirects. Certains États ou provinces ne permettent pas l'exclusion des dommages accessoires ou indirects, donc cette limitation peut ne pas s'appliquer à vous. Certaines États ou provinces ne permettent pas de limiter la durée d'une garantie implicite, donc cette limitation peut ne pas s'appliquer à vous. Cette garantie vous accorde des droits particuliers et il peut exister d'autres droits qui varient selon l'État ou la province. Cette garantie couvre les appareils dans les cinquante (50) États des États-Unis, du district de Columbia ou du Canada Cette garantie est attribuée par GE Appliances a Haier company, Louisville, KY 40225.

---

## **ANNEXE 1**

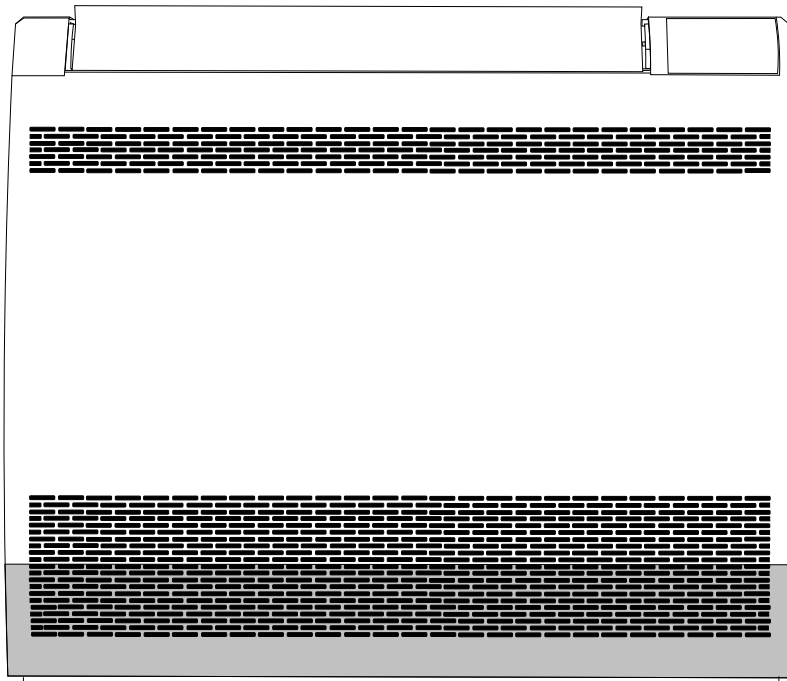
---

Le "produit" est défini comme la fabrication d'unités fractionnées sans conduits par GE Appliances, une société Haier. Le "Produit" comprend 2 sous-catégories de produits: "Produits d'intérieur et d'extérieur".



**GE APPLIANCES**  
*a Haier company*

<b>Instrucciones de instalación</b>	<b>Consola de Piso</b>
---	------------------------



**LEA CUIDADOSAMENTE.  
GUARDE ESTAS INSTRUCCIONES.**

# INFORMACIÓN IMPORTANTE DE SEGURIDAD

## LEA TODAS LAS INSTRUCCIONES ANTES DE USAR EL SISTEMA

### ⚠ ADVERTENCIA

Para su seguridad, siga las instrucciones de este manual a fin de minimizar riesgos de incendio, descargas eléctricas o lesiones personales.

- Use este equipo sólo para su propósito original, como se describe en el Manual del Usuario.
- Este acondicionador de aire deberá ser instalado de forma apropiada de acuerdo con las Instrucciones de Instalación antes de su uso.
- Todo el cableado deberá ser adecuado al valor de la corriente que figura en la placa de calificación. Use cables de cobre únicamente.
- Todo el trabajo eléctrico deberá ser completado por un electricista calificado y de acuerdo con los códigos de construcción locales y nacionales.
- Todo el servicio técnico deberá ser realizado por un individuo calificado.

**Si es necesario realizar un servicio que requiere el ingreso al sistema de refrigeración sellada, las regulaciones federales requieren que el trabajo sea realizado por un técnico que posea una certificación Clase II o Universal.**

- Todos los acondicionadores de aire contienen refrigerantes, los cuales de acuerdo con la ley federal deben ser retirados antes de deshacerse del producto. Si se deshará de un producto viejo que posee refrigerantes, consulte a la compañía a cargo del manejo de productos descartados.
- Estos sistemas de acondicionadores de aire R-410A requieren que los contratistas y técnicos usen herramientas, equipos y estándares de seguridad aprobados para su uso con este refrigerante. NO use equipamiento certificado sólo para el refrigerante R22.

### ⚠ ADVERTENCIA

**RIESGO DE DESCARGA ELÉCTRICA. Puede ocasionar lesiones o la muerte.**

- La conexión a tierra es esencial antes de realizar la conexión al suministro de corriente.
- Desconecte todos los suministros de corriente eléctrica remotos antes de realizar el servicio técnico.
- Repare o reemplace de inmediato todos los cables de corriente pelados o con cualquier tipo de daño. No use cables que presenten cortaduras o daños por abrasión sobre su extensión o extremos.

### ⚠ ADVERTENCIA

**RIESGO DE INCENDIO. Puede ocasionar lesiones o la muerte.**

- No guarde ni use materiales combustibles, gasolina u otros vapores inflamables y líquidos cerca de éste o de otros electrodomésticos.

## LEA Y GUARDE ESTAS INSTRUCCIONES

# Instrucciones de Instalación

PARA ACCEDER A MÁS AYUDA, VISITE [GEAPPLIANCES.COM/DUCTLESS](http://GEAPPLIANCES.COM/DUCTLESS) O LLAME A LA LÍNEA DE AYUDA AL CONSUMIDOR AL 844-487-9443.

## ⚠ PRECAUCIÓN

- No use un prolongador con este sistema.
- Los cables para construcciones de aluminio pueden presentar problemas especiales – consulte a un electricista calificado.

## ANTES DE COMENZAR

Lea estas instrucciones en su totalidad y atentamente.

**IMPORTANTE** — Conserve estas instrucciones para uso del inspector local.

**IMPORTANTE** — Cumpla con todos los códigos y ordenanzas gubernamentales.

- **Nota para el Instalador** – Asegúrese de que el Comprador conserve estas instrucciones.
- **Nota para el Comprador** – Conserve estas instrucciones para referencia futura.
- **Nivel de habilidad** – La instalación de este sistema de acondicionador de aire split deberá ser realizada por un técnico licenciado y certificado (para manejar refrigerante R-410A, recuperación, etc.) y por un electricista.
- La correcta instalación del producto es responsabilidad del instalador.
- Si se producen fallas en el producto debido a una instalación inadecuada, la Garantía no cubrirá las mismas.
- Para su seguridad personal, este sistema deberá estar correctamente conectado a tierra.
- Los dispositivos de protección (fusibles o disyuntores) aceptables para la instalación aparecen especificados en la placa de cada unidad.
- Para cualquier reparación que requiera el ingreso al sistema de refrigeración sellada, las regulaciones federales solicitan que el trabajo sea realizado por un técnico que posea una certificación Clase II o Universal.

## Mantenimiento de registros

Gracias por comprar este producto de GE Appliances. Este manual de instalación lo ayudará a aprovechar al máximo su nueva bomba de calor.

Para futuras referencias, anote el modelo y el número de serie que se encuentran en la etiqueta del lado de la bomba de calor, así como la fecha de compra.

Adjunte su comprobante de compra a este manual para ayudarlo a obtener el servicio de garantía si es necesario.

Para registrar su nuevo sistema libre de ductos de GE Appliances, vaya a [GEAppliances.com/ductless](http://GEAppliances.com/ductless) e ingrese la información del número de modelo / serie en esta página. Para calificar para una garantía de 10 años en compresores y piezas, debe registrarse dentro de los 60 días de la instalación.

\_\_\_\_\_  
Número de modelo

\_\_\_\_\_  
Número de serie

\_\_\_\_\_  
Fecha de compra



# Instrucciones de Instalación

## Especificaciones

Interior	USYF09UCDWA	USYF12UCDWA	USYF18UCDWA
Nivel de Capacidad de Refrigeración en Btu/h	9,000	12,000	15,000
Nivel de Capacidad de Calefacción en Btu/h	10,000	13,000	18,000
Voltaje, Ciclo, Fase V/HZ/ -	208-230/60/1		
Flujo de Aire (Turbo/ Alto/ Medio/ Bajo/ Silencioso) CFM	264/235/205/176/147	294/264/235/205/176	341/311/282/252/223
Nivel de Sonido Interior en dB (Turbo/ Alto/ Medio/ Bajo/ Silencioso)	40/32/25/20	42/34/26/21	46/37/33/28
Dimensión del Chasis: Alto x Ancho x Prof. (mm)	23.6/27.5/8.7(600/700/220)		
Peso (Envío/ Neto) – lbs. (kg.)	36/40 (16.5/18.5)		
Diám. Ext. de Succión/ Líquido en pulg.	1/4 3/8	1/4 3/8	1/4 1/2
Tamaño del Diám. Ext. de la Tubería de Drenaje (mm)	φ 5/8 (16.5)		

## Herramientas Requeridas para la Instalación

- Cable trenzado AWG de 14/4
- 5/8" (16mm), 7/8" (22mm), 1" (25mm) o llave ajustable
- Refrigerante R-410A\*
- Cinta adhesiva
- Sujetador del cable conductor de 1/2"
- Conjunto de cables de cobre
- Destornillador Phillips nº2
- Taladro
- Abocardador para R-410A
- Llave hexagonal
- Sierra de agujero de 2 1/4"
- Aislante\*
- Balanza para refrigerante
- Nivel
- Set del calibrador del colector
- Cinta de medición
- Medidor de micrones
- Adaptador para Mini Split (5/16"F a 1/4"M)
- Nitrógeno\*
- Cortatubos
- Tubería de PVC (opcional)
- Cuchillo filoso
- Escariador
- Abrazadera de montura (L.S.) c/ tornillos
- Sellador, no expansible (para el orificio del juego de cables)
- Solución de jabón/ agua\* o detector de pérdidas de gas
- Detector de montantes
- Llave dinamométrica
- Bomba de vacío
- Pelacables
- Todas las herramientas manuales y eléctricas de HVAC de uso habitual, metros y dispositivos de evaluación.

\* consumible

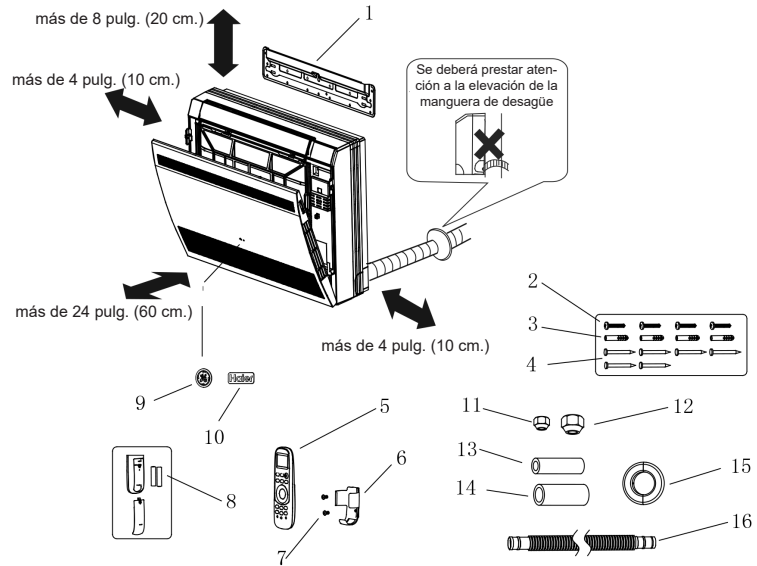


# Instrucciones de Instalación

## Preparación de la Instalación

### Accesorios

1	Mounting wall bracket	1
2	Screws for (1) 4x25 mm	4
3	Plastic sleeve for (2)	4
4	Nail	6
5	Remote Controller	1
6	Remote controller holder	1
7	Screws for (8) 4x12 mm	2
8	Battery for (7)	2
9	GE badge	1
10	Haier Badge	1
11	Flare nut for liquid tube	1
12	Flare nut for gas tube	1
13	Insulated tube (liquid line)	1
14	Insulated tube (suction Line)	1
15	Trim Ring	1
16	Drain hose	1



## Preparación de la Instalación

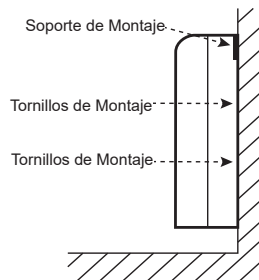
### Paso 1. Selección de la Ubicación para el Montaje de la Unidad Interior

- Permita una distribución de aire adecuada y sin obstrucciones.
- No permita que haya calor ni vapor cerca de la unidad.
- Seleccione una ubicación donde no haya obstrucciones frente a la unidad, dejando un espacio libre mínimo de 24".
- Asegúrese que el drenaje condensado se pueda evacuar de forma conveniente.
- No instale la unidad cerca de una entrada.
- Asegúrese que el espacio hacia la izquierda y derecha de la unidad sea de más de 4". La unidad se deberá instalar lo más bajo posible en la pared, pero dejando un mínimo de 8" desde el cielorraso (consulte sobre los espacios libres en la ilustración anterior).
- Use un detector de montantes para detectar y marcar las ubicaciones de los mismos para realizar el montaje y evitar así daños innecesarios sobre la pared.
- Realice la instalación en una ubicación lo suficientemente fuerte como para resistir todo el peso y la vibración de la unidad.

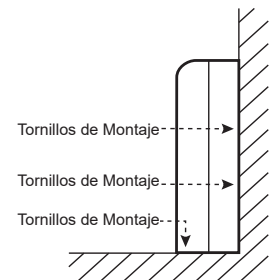
- Deje espacio suficiente para poder contar con acceso para la rutina de mantenimiento.
- Seleccione una ubicación que le brinde fácil acceso para retirar y limpiar los filtros de aire.
- Realice la instalación en una ubicación que se encuentre a 3 pies o más de otros dispositivos eléctricos, tales como televisores o dispositivos de audio.

La instalación interior podrá ser realizada de una de las siguientes dos formas:

Montaje Bajo en Pared



Montaje en el Piso

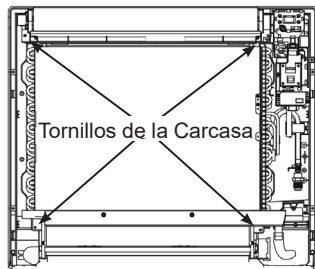
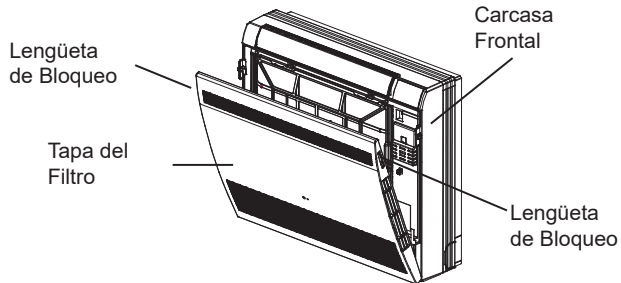


# Instrucciones de Instalación

## Preparación de la Instalación

### Paso 2. Retire la Carcasa Frontal

1. Empuje hacia abajo las lengüetas de bloqueo de la tapa del filtro, ubicadas sobre los lados superior derecho e izquierdo de la tapa del filtro para liberarla.
2. Empuje la tapa del filtro hacia usted para retirarla.
3. Ubique y retire los 4 tornillos de la carcasa, como se muestra en la siguiente figura.
4. La carcasa frontal estará libre para su retiro. Desde la parte inferior del panel frontal, empuje hacia arriba y afuera del chasis y desenganche de la parte superior para retirarla.

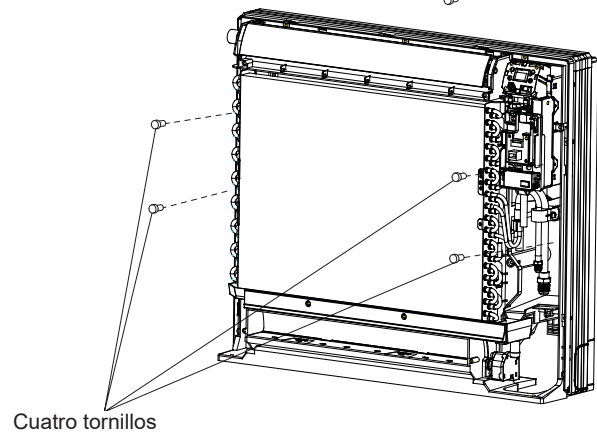
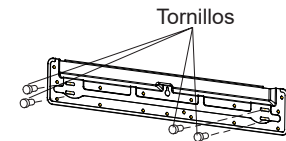
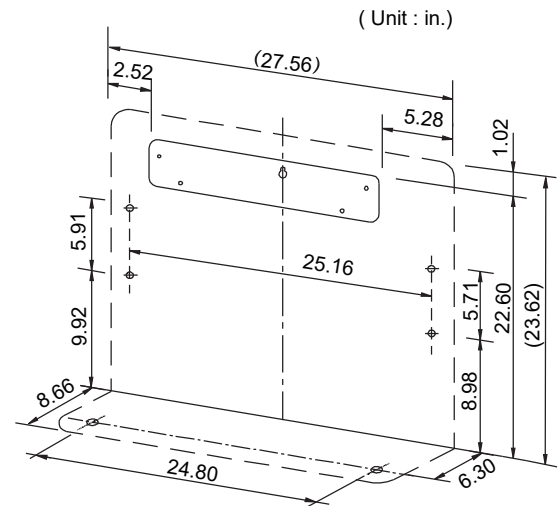


## Instalación de la Consola

### Paso 3: Soporte de Montaje (Sólo Montaje Bajo en Pared)

Si la unidad se encuentra montada sobre la pared, se requiere el soporte de montaje de pared.

1. Adjunte el soporte de pared a la pared, asegurando que esté nivelado horizontalmente y a plomo verticalmente.
2. De forma segura, ajuste el soporte de pared a la pared usando los cuatro tornillos suministrados.



# Instrucciones de Instalación

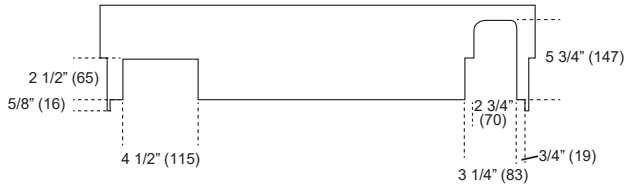
## Instalación de la Consola

### Paso 4: Agujero para Conjunto de Tuberías

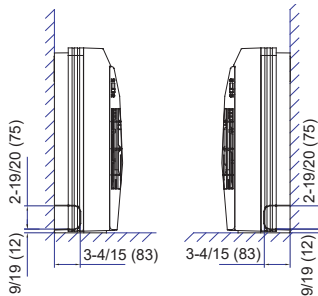
#### A. Determine la Posición del Agujero

- Determine la posición del agujero en base a la configuración de tubería deseada.

Vista Inferior

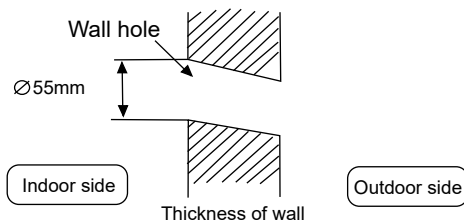


Para Tuberías del Lado Derecho o Izquierdo



#### B. Perfore el Agujero

- Perfore un agujero de 2 3/8" con orientación hacia abajo para la tubería de refrigerante/ drenaje condensado/ conjunto de cables.
- Una vez que el conjunto se encuentre instalado, selle el agujero.



(Section of wall hole) Piping hole pipe

## Instalación de la Consola

### Paso 5: Configuración e Instalación de la Tubería

#### A. Configuración de la Tubería

##### Tubería Trasera

**Nota:** La tubería trasera podrá tener su salida en cualquier posición sobre la parte trasera de la unidad.

Enrute el conjunto de tuberías y la manguera de desagüe a través de la abertura trasera.

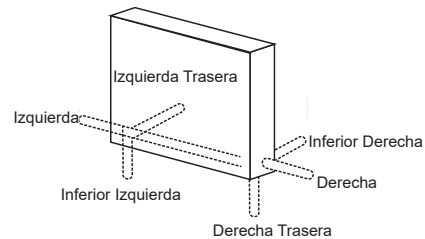
##### Tubería Izquierda e Izquierda Trasera

Al enrutar la tubería izquierda o izquierda trasera, con cuidado doble el conjunto de tuberías y la manguera de desagüe para mantenerlas niveladas con la cavidad de la tubería en la parte trasera de la unidad.

Retire el bloqueo del lado izquierdo si realizará el recorrido sobre el lado izquierdo.

##### Otro

Retire el bloqueo de la tubería adecuada (si se requiere), de acuerdo con la dirección deseada de la tubería, y con cuidado enrute la tubería al agujero de la pared.



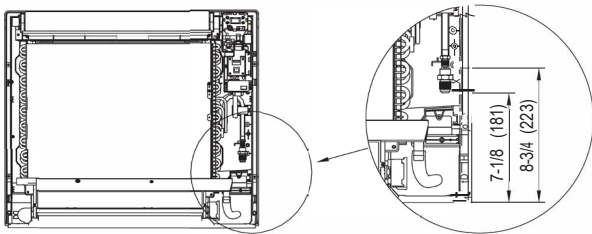
# Instrucciones de Instalación

## Instalación de la Consola

### Paso 5: Configuración e Instalación de la Tubería

#### B. Conjuntos de Cables

- La longitud estándar del juego de cables es de 25 pies. Si la longitud de instalación es diferente, ajuste la carga de refrigerante en 0.2 onzas/pie si la tubería de líquido es de 1/4", o en 0.5 onzas/pie si la tubería de líquido es de 3/8".
- Asegúrese de que los conjuntos de tuberías estén completamente aislados, incluyendo la conexión abocardada.
- Cubra la parte exterior del área abocardada con aceite refrigerante y tuberías de conexión.
- Para unir el juego de cables, alinee directamente la tubería abocardada con la unión de la otra tubería. Deslice la tuerca sobre la unión y realice el ajuste manualmente.



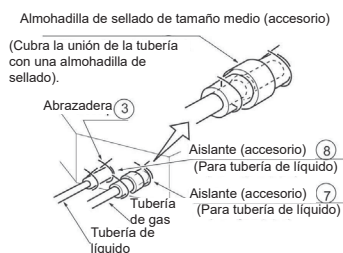
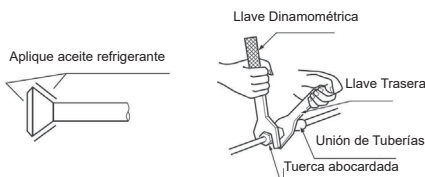
**NOTA:** Siga las prácticas estándares para abocardar de tuberías. Al cortar y escariar la tubería, tenga el cuidado de evitar que la suciedad o el polvo ingresen a la misma. Recuerde colocar la tuerca sobre la tubería antes de abocardar la misma.

#### Especificaciones sobre Ajustes

Gire las uniones de acuerdo con las especificaciones mostradas en el siguiente cuadro de giro.

Diámetro de la Tubería (Ø)	Giro de ajuste
Lado líquido de 6.35mm (1/4")	18N.m/13.3 pies/libras
Lado del líquido/gas de 9.52mm (3/8")	42 N.m/30.1 pies/libras
Lado del gas de 12.7mm (1/2")	55N.m/40.6 pies/libras
Lado del gas de 15.88mm (5/8")	60 N.m/44.3 pies/libras

- Se requiere el uso de dos llaves para unir la conexión abocardada: una llave estándar y una llave de torsión ajustada de acuerdo con las configuraciones adecuadas.
- Repita el proceso para adherir el otro extremo del juego de cables.



## Instalación de la Consola

### Paso 5: Configuración e Instalación de la Tubería

#### C. Tubería de Condensación

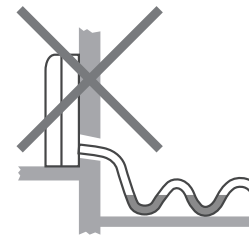
1. Si la manguera de drenaje de condensados pasa a través de un espacio interior, asegúrese de que se encuentre correctamente aislada.
2. La manguera de drenaje deberá poseer una pendiente descendente, a fin de permitir un flujo adecuado de los condensados. El uso de la bomba de condensado será necesario si no se logra contar con una pendiente descendente.
3. El diámetro de la manguera de drenaje deberá ser igual o más largo que la tubería de fábrica (Ø 5/8" [16.5mm]).



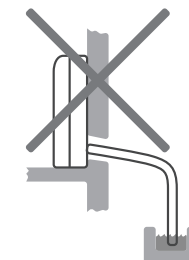
Pendiente descendente



Elevada



Ondeada

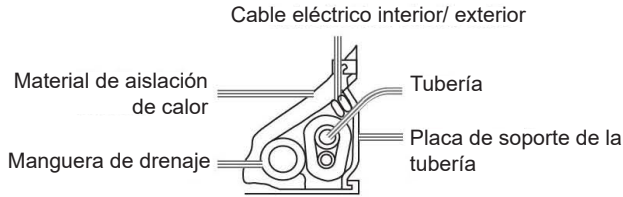


Extremo sumergido en el agua

# Instrucciones de Instalación

## Instalación de la Consola

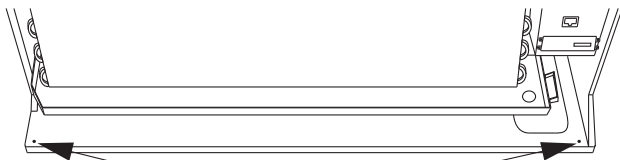
**NOTA:** Asegúrese de mantener todas las tuberías y partes eléctricas envueltas de la forma más ajustada posible, a fin de asegurar que el apoyo de la unidad quede nivelado contra la pared.



## Paso 6: Colocación de la Unidad Interior

### A. Montaje en el Piso

1. Ajuste la unidad al piso utilizando los 2 agujeros de tornillos de montaje, ubicados en el frente de la base del chasis.
2. Ajuste la unidad de la consola a la pared, a través de los 4 tornillos de pared en la parte trasera del chasis. Ajuste los tornillos de forma segura.

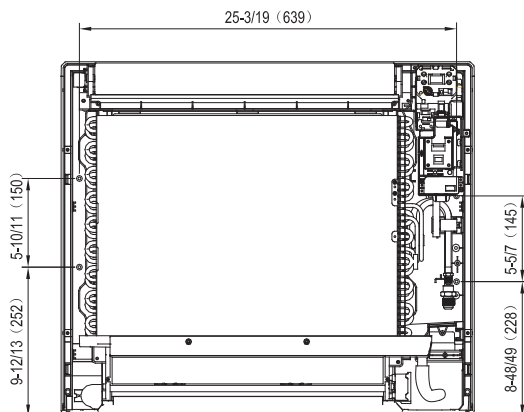


Enrosque los Agujeros al Montaje del Piso (Vista Frontal)

### B. Montaje de la Unidad Interior en la Pared

1. Enganche la parte superior de la unidad de la consola en el soporte de montaje de pared.
2. Ajuste la unidad de la consola a la pared, utilizando los 4 tornillos de pared en la parte trasera del chasis. Ajuste los tornillos de forma segura.

Agujeros de los Tornillos de Pared

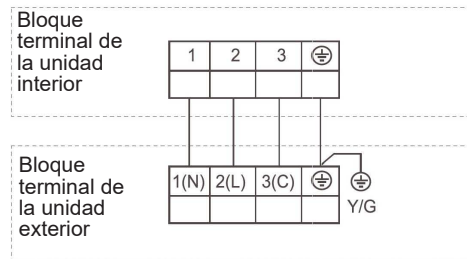
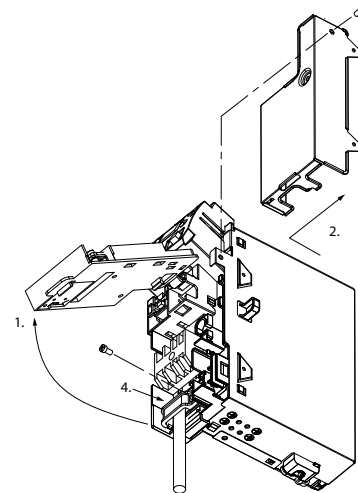


## Instalación de la Consola

### Paso 7: Conexiones del Cableado

**NOTA:** La unidad deberá ser instalada por un contratista/ electricista con licencia. Si así lo requieren los códigos nacional, estatal y local aplicables, se deberá instalar un interruptor de desconexión cuando la unidad interior sea alimentada desde la unidad exterior.

1. Levante el panel que contiene el módulo WiFi y el puerto de diagnóstico.
2. Retire el tornillo sobre el lado derecho de la tapa y retire la misma.
3. Realice las conexiones de cables en cada terminal, de acuerdo con el diagrama del cableado. (Tome nota del color del cable en cada terminal y asegúrese de que los cables se encuentren conectados a la unidad de exterior de forma consecutiva).
4. Asegure el cable a la unidad interior usando la tira del amortiguador de refuerzo.
5. Reemplace la tapa del tablero y baje el panel.



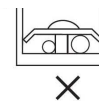
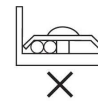
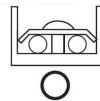
### ⚠ ADVERTENCIA

Al realizar conexiones de suministro de corriente, conecte los cables con las mismas especificaciones y tamaños (como se describe a continuación).

Conecte los cables con las mismas especificaciones en ambos lados.

No conecte los cables con las mismas especificaciones sobre un lado.

No conecte cables con diferentes especificaciones.



# Instrucciones de Instalación

## Instalación de la Consola

### Paso 8: Instalación de la Carcasa Frontal

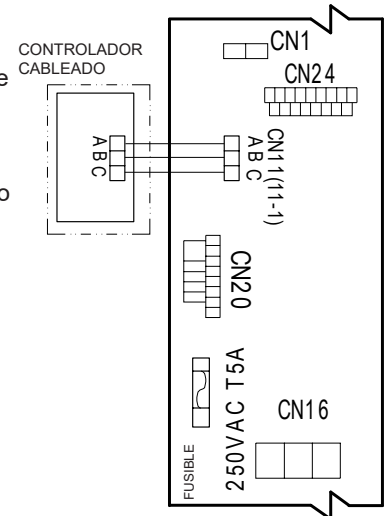
1. Consulte el paso 2. Realice los pasos a la inversa.

## Instalación de la Consola

### Paso 9: Conexiones del Controlador

#### A. Controlador Cableado (Opcional)

- No empalme ni extienda el cable sin leer primero el manual de instalación del control.
  - Enrute el cable del controlador cuando sea inaccesible para los ocupantes.
1. Siga las instrucciones del Paso 2 para retirar el panel frontal de la unidad de la consola.
  2. Levante el panel que contiene el módulo WiFi y los tableros de diagnóstico.
  3. Retire la tapa de la caja de control.
  4. Desenchufe los conectores de cables de la rejilla superior, motor del ventilador, sensor de la bobina, y regulador inferior.
  5. Retire el tornillo a tierra del evaporador.
  6. Retire el tornillo que asegura la caja de control al gabinete.
  7. Retire la caja de control del gabinete.
  8. Retire el tornillo de la tapa de la parte inferior de la caja de control.
  9. Retire la tapa de la caja de control.
  10. Utilizando el extremo del cable del control de pared con el cable a tierra, enrute el cable a través de la parte inferior de la caja, junto al tornillo a tierra.
  11. Enchufe el cable a CN11-1 en el tablero.
  12. Conecte el cable a tierra a la terminal a tierra del bloque terminal.
  13. Invierta los pasos 1 a 9 para volver a ensamblar la unidad.



**⚠ ADVERTENCIA** Una instalación incorrecta del cableado del controlador podrá ocasionar descargas eléctricas, incendios, y/o funcionamientos inadecuados.malfunction

#### B. Emparejamiento WiFi

1. Descargue la aplicación "GE Comfort" desde Google Play (Android) o desde la tienda de las aplicaciones de Apple (IOS).



#### Luego de descargar la aplicación:

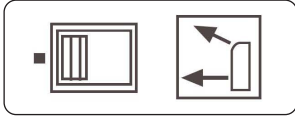
2. Abra la aplicación.
3. Seleccione "Iniciar Sesión".
4. Registre su cuenta o regístrese como nuevo usuario.
5. Seleccione el ícono "+" para agregar un nuevo dispositivo y siga las instrucciones de la aplicación.

# Instrucciones de Instalación

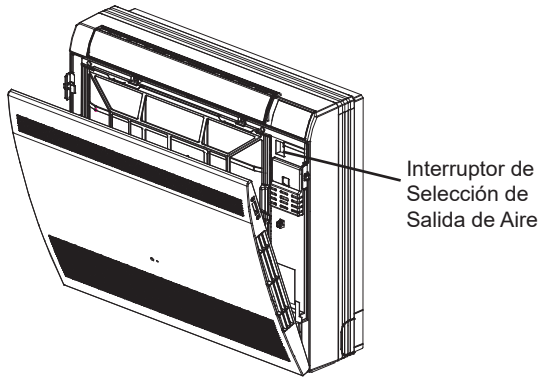
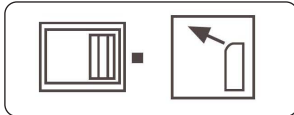
## Instalación de la Consola

### Paso 10: Ajustes de la Configuración del Flujo de Aire

Cuando el Interruptor de Selección de Salida de Aire (ubicado detrás de la tapa del filtro; consulte la ilustración) se encuentre ubicado en la posición izquierda, la salida del flujo de aire estará determinada por el modo de funcionamiento (calefacción o refrigeración). Ésta es una configuración por omisión de fábrica.



Cuando el Interruptor de Selección de Salida de Aire se encuentre en la posición derecha, el flujo de aire será suministrado sólo desde la salida superior. Esta configuración se podrá realizar de forma manual.



# Instrucciones de Instalación

## Control Final

### Lista de Control de Inicio

- |   |  |
|---|--|
| <input type="checkbox"/> La carga de refrigerante es verificada y se controló que no haya pérdidas en el sistema. | <input type="checkbox"/> Las unidades interior y exterior coinciden.                                 |
| <input type="checkbox"/> Los conjuntos de tuberías fueron aislados.   | <input type="checkbox"/> Las unidades interior y exterior están montadas de manera firme.            |
| <input type="checkbox"/> Las conexiones eléctricas son seguras.   | <input type="checkbox"/> El voltaje de la fuente de corriente está dentro de la tolerancia correcta. |
| <input type="checkbox"/> La conexión eléctrica a tierra fue controlada y verificada.                              | <input type="checkbox"/> Las secciones interior y exterior son silenciosas y no poseen vibración.    |
| <input type="checkbox"/> Las terminales del cableado eléctrico coinciden en la unidad interior y exterior.        | <input type="checkbox"/> Todas las funciones del controlador fueron verificadas.                     |
| <input type="checkbox"/> El cable entre la unidad exterior e interior deberá ser de 14/4 trenzado.                | <input type="checkbox"/> El funcionamiento en los modos de refrigeración y calefacción es normal.    |
| <input type="checkbox"/> Los cables de exterior a interior no poseen empalmes.                                    | <input type="checkbox"/> El funcionamiento del sistema le fue explicado al dueño.                    |
| <input type="checkbox"/> El drenaje condensado posee la inclinación correcta y se controló que no posea pérdidas. |  |

## Explicación del Funcionamiento al Usuario Final

- Usando el Manual del Propietario, explíquelo al usuario final cómo usar el acondicionador de aire/ bomba de calentamiento, (el control remoto, agregar/ retirar filtros de aire, colocar o retirar el control remoto del porta control remoto, métodos de limpieza, precauciones de funcionamiento, etc.).
- Revise las precauciones de uso.
- Le recomendamos al usuario leer las Instrucciones de uso detenidamente.



# Garantía Limitada

Para los modelos de los productos que figuran en el Adjunto 1 (el "Producto"), esta Garantía Estándar Limitada es provista al Dueño Original del Producto:

por el período de	GE Appliances reemplazará:
Garantía limitada de piezas de 5 años desde la fecha de compra	Esta garantía cubre todos los defectos de fabricación o de los materiales de las piezas mecánicas y eléctricas pertenecientes al Producto ("Piezas Defectuosas") durante un período de 5 años desde la Fecha de Compra. GE Appliances le proveerá piezas nuevas o reparadas, o el reemplazo de toda o parte de la unidad, a su propia discreción, a su técnico de instalación con licencia de HVAC. Esta garantía también cubre todos los defectos de fabricación o de los materiales del control de la unidad durante un período de 1 año. El control remoto cuenta con una garantía de accesorios con cobertura por 1 año. El sistema sin conducto está cubierto por la garantía estándar. GE Appliances brindará un controlador nuevo o reparado, a su propia discreción.
Garantía del compresor de 7 años a partir de la fecha de la compra original.	El compresor perteneciente a este producto posee garantía por un período de 7 años desde la Fecha de Compra. GE Appliances le proveerá un compresor nuevo o uno reparado, o el reemplazo de toda o parte de la unidad, a su propia discreción, a su técnico de instalación con licencia de HVAC.

## CUÁL ES LA FECHA DE COMPRA

La "Fecha de Compra" es la fecha en que la instalación original fue completada y todos los procedimientos de inicio del Producto fueron adecuadamente completados y verificados en la factura del instalador. Si la fecha de instalación no puede ser verificada, entonces la Fecha de Compra será de sesenta (60) días luego de la fecha de fabricación, de acuerdo con lo determinado por el número de serie del Producto. Usted deberá guardar y poder brindar su recibo de venta original entregado por el instalador como prueba de la Fecha de Compra. En una edificación nueva, la Fecha de Compra será la fecha en que el dueño le compró la residencia al constructor.

## QUIÉN ESTÁ CUBIERTO

Ocupado por el dueño: El "Dueño Original" de este producto, lo cual significa el dueño original (y su cónyuge) de la residencia donde el Producto fue originalmente instalado. Sujeto a la ley del estado o provincia donde el Producto fue instalado, esta garantía no es transferible a dueños subsiguientes o si el Producto es trasladado a una residencia diferente luego de su instalación inicial. Ocupado por alguien que no es el dueño: Esta garantía es provista para el Producto 1) instalado en a) construcciones residenciales ocupadas por una familia o varias familias que no son dueñas, o b) aplicaciones comerciales no industriales, (tales como edificios de oficinas, establecimientos minoristas, hoteles/ moteles) donde el Producto no está sujeto a un ambiente con elementos corrosivos o altos niveles de partículas (tales como hollín, aerosoles, humos, grasa), y 2) si el producto es mantenido anualmente por un técnico con licencia de HVAC (se requiere prueba de mantenimiento anual). El "Dueño Original" del producto se refiere al dueño original de la edificación donde el producto fue instalado originalmente. En el caso de construcciones nuevas, quien le compró la edificación al constructor también será considerado un Dueño Original. Esta garantía no es transferible a dueños subsiguientes o si el producto es trasladado a una ubicación diferente luego de la instalación inicial.

## CÓMO ACCEDER AL SERVICIO TÉCNICO

CoComuníquese con su técnico instalador con licencia de HVAC. Toda la instalación y el servicio deberán ser realizados por un técnico con licencia de HVAC. Si no se solicita el servicio de un técnico con licencia de HVAC para la instalación de este Producto, se anulará toda la garantía sobre este Producto.

## ESTA GARANTÍA NO CUBRE

- Daños por una instalación inadecuada.
- Daños durante el envío.
- Defectos que no sean de fabricación (es decir: fabricación o materiales).
- Daño por uso inadecuado, abuso, accidente, alteración, falta de cuidado adecuado y/o mantenimiento regular, o voltaje o corriente eléctrica incorrecta.
- Daño resultante de inundaciones, incendios, viento, iluminación, accidentes o condiciones similares.
- Daños de instalación u otros servicios realizados por otra persona que no sea el técnico con licencia de HVAC.
- Trabajo o servicios relacionados con la reparación o instalación del Producto.
- Un Producto comprado a un vendedor minorista a través de Internet.
- Daño como resultado de exponer el Producto a un ambiente con materiales corrosivos o altos niveles de partículas (tales como hollín, aerosoles, gases, grasa).
- Un Producto vendido y/o instalado fuera de los 50 Estados Unidos, el Distrito de Columbia o Canadá.
- Baterías del control remoto u otros accesorios provistos con el Producto para su instalación (por ejemplo: manguera plástica).
- Mantenimiento normal, tal como limpieza de bobinas, limpieza de filtros, y lubricación.
- En el caso de un Producto instalado en aplicaciones ocupadas por personas que no son dueños, un Producto que no haya sido mantenido anualmente por un técnico con licencia de HVAC (prueba requerida)..

Grapa tu recibo aquí. Se necesita comprobante de la fecha de compra original para obtener servicio bajo la garantía

# Garantía Limitada

---

## GARANTÍA LIMITADA ESTÁNDAR REGISTRADA POR 10 AÑOS

---

Todos los "Productos de Interior y Exterior", identificados en el Adjunto 1, registrados por el instalador o el Dueño Original dentro de los 60 días desde la Fecha de Compra recibirán una Garantía Limitada Estándar Registrada, la cual será idéntica a la Garantía Estándar Base, excepto que la Garantía de Piezas Limitada tendrá validez por el término de 10 Años y la Garantía Limitada del Compresor será por un término de 10 años. Cualquier Producto que no sea registrado dentro de los 60 días desde la Fecha de Compra estará sujeto a la Garantía Estándar Base. Algunos estados y provincias no permiten que los términos de las garantías estén sujetos a un registro; en dichos estados y provincias se aplican los términos más prolongados para la Garantía Limitada de Piezas y la Garantía Limitada del Compresor.

---

## **ESTA GARANTÍA LIMITADA REEMPLAZA A CUALQUIER OTRA GARANTÍA, EXPRESA O IMPLÍCITA, INCLUYENDO LAS GARANTÍAS DE COMERCIALIZACIÓN O IDONEIDAD PARA UN PROPÓSITO PARTICULAR.**

---

La solución provista en esta garantía es exclusiva y es garantizada en lugar de todas las demás soluciones. Esta garantía no cubre daños incidentales o consecuentes. Algunos estados y provincias no permiten la exclusión de daños incidentales o consecuentes, de modo que es posible que esta limitación no se aplique en su caso. Algunos estados y provincias no permiten limitaciones en relación a la duración de una garantía implícita, de modo que es posible que esta limitación no se aplique en su caso. Esta garantía le da derechos legales específicos y es posible que tenga otros derechos legales que varían entre estados y provincias. Esta garantía cubre las unidades que se encuentran dentro de los 50 Estados Unidos, el Distrito de Columbia y Canadá. Esta garantía es provista por GE Appliances a Haier company, Louisville, KY 40225.

---

## ADJUNTO 1:

---

El "producto" se define como unidades divididas sin ductos fabricadas por GE Appliances, una empresa de Haier. El "Producto" contiene 2 subcategorías de productos: "Productos para interiores y exteriores".