

**THIS SPACE FOR DESIGNER/ENGINEER APPROVAL**

Job/Customer _____	Date _____	Contractor _____
Model Specified _____	Qty _____	Approved By _____
Designer/Engineer _____	Date _____	Contractor's PO# _____
Submitted by _____	Date _____	Other _____

## 5041 Series

**Full Port Forged Brass Uni-Flange Ball Valves  
w/ Hi-Flow Hose Drain  
Bonus Wing Style "T" Handle, Nuts & Bolts  
SWT x Flange  
600 WOG – ISO 9001**



ITEM #	SIZE	CTN	CASE	A	B	C	D	E	F	G	H	I	J
50413	3/4"	2	20	3/4	3 3/4	2 1/4	4	3/8	1/2	1	2 11/16	4 1/8	1/2
50414	1"	2	20	1	3 15/16	2 5/8	4 5/8	3/8	1/2	1 1/4	2 11/16	4 1/8	1/2
50415	1 1/4"	2	20	1 1/4	4 1/4	3	4 5/8	3/8	1/2	1 9/16	2 11/16	4 1/8	3/4
50416	1 1/2"	2	10	1 1/2	5 1/2	3 1/4	5 1/2	3/8	1/2	1 15/16	2 11/16	4 1/8	3/4
<b>HV MODELS FIT BOTH STANDARD &amp; HIGH VELOCITY PUMPS</b>													
50414HV	1"	2	20	1	3 15/16	2 5/8	4 5/8	3/8	5/8	1 1/4	2 11/16	4 1/8	1/2
50415HV	1 1/4"	2	20	1 1/4	4 1/4	3	4 5/8	3/8	5/8	1 9/16	2 11/16	4 1/8	3/4
50416HV	1 1/2"	2	10	1 1/2	5 1/2	3 1/4	5 1/2	3/8	5/8	1 15/16	2 11/16	4 1/8	3/4
50417HV	2"	1	10	2	5 1/2	3 1/4	5 1/2	3/8	5/8	1 15/16	2 11/16	4 1/8	3/4



**PATENTED  
TECHNOLOGY**

NO.	DESCRIPTION	MATERIAL
1	BODY	BRASS
2	END CAP	BRASS
3	SEATS	PTFE
4	BALL	BRASS HCP
5	STEM	BRASS
6	STEM SEAL	PTFE
7	PACKING GLAND	BRASS
8	LEVER HANDLE	STEEL CP
9	HANDLE NUT	STAINLESS STEEL
10	HANDLE JACKET	VINYL
11	SEAT RETAINER	BRASS
12	DRAIN END CAP	BRASS
13	DRAIN SEATS	PTFE
14	DRAIN BALL	BRASS HCP
15	DRAIN STEM	BRASS
16	DRAIN STEM SEAL	PTFE
17	DRAIN PACKING GLAND	BRASS
18	DRAIN HANDLE	ENAMEL COATED ALUMINUM
19	DRAIN HANDLE SCREW	BRASS
20	WASHER	EPDM
21	CAP AND STRAP	BRASS W/ EPDM STRAP
22	FLANGE BOLTS AND NUTS	STEEL ZP
23	WING STYLE "T" HANDLE	STEEL CP

TEMP °F	PSI
100	600
150	485
200	395
250	210
300	N/A
350	N/A
366	N/A



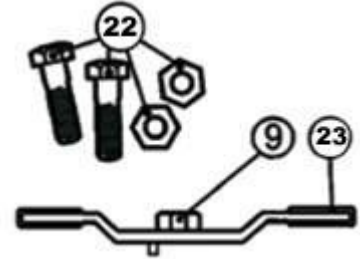
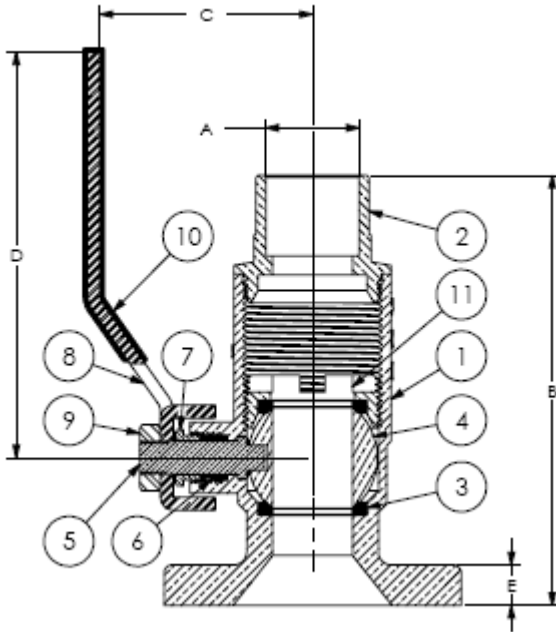
Quality and Commitment Since 1954

www.webstonevalves.com · P: (800) 225-9529 · F: (800) 336-5133

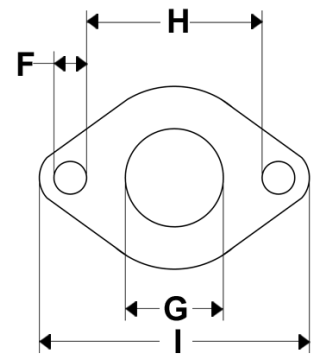
Webstone product specifications in U.S. customary units are approximate and are provided for reference only. Webstone reserves the right to change or modify product design, construction, specifications or materials without prior notice and without incurring any obligation to make such changes and modifications on Webstone products previously or subsequently sold.

**THIS SPACE FOR DESIGNER/ENGINEER APPROVAL**

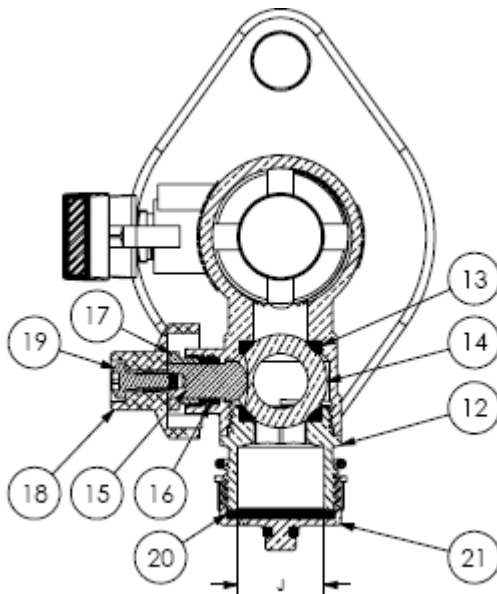
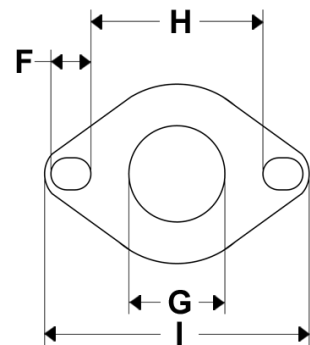
Job/Customer _____	Date _____	Contractor _____
Model Specified _____	Qty _____	Approved By _____
Designer/Engineer _____	Date _____	Contractor's PO# _____
Submitted by _____	Date _____	Other _____



**FLANGE FOR REGULAR MODELS**



**FLANGE FOR HIGH VELOCITY PUMP MODELS**



**Specifications:** Designed for residential, commercial or industrial use with water or a glycol mixture. This approved Webstone valve is actuated by a blowout proof stem and features an adjustable packing gland. Flange features a conical inlet to minimize turbulence. Solder joint temperature ratings are per ASME B16.18 Annex A for 95-5 solder. Other solder materials have lower pressure/temperature limits. Do not silver braze or over heat valves when soldering.



Quality and Commitment Since 1954

www.webstonevalves.com · P: (800) 225-9529 · F: (800) 336-5133

Webstone product specifications in U.S. customary units are approximate and are provided for reference only. Webstone reserves the right to change or modify product design, construction, specifications or materials without prior notice and without incurring any obligation to make such changes and modifications on Webstone products previously or subsequently sold.