



Health and Safety Warning:

Ceramic fiber products are suspected of causing cancer by inhalation. All ceramic fiber products have a hazard communication warning label and a prop 65 warning for airborne fiber inhalation. You should minimize exposure to airborne fibers. When handling ceramic fiber we recommend using particulate respirator mask (N95), protective gloves, safety glasses and long sleeve clothing. For complete safety information consult the SDS sheet. <https://www.lynnmfg.com/documentation/>



Before you start work:

1. Read all instructions and check the kit number before starting work. **See Note A.**
2. Turn off service switch on boiler and all other electrical disconnect switches.
3. Close fuel supply valve(s) and disconnect fuel line from the burner.

Removal:

4. Unbolt burner flange and remove burner.
5. Remove front jacket panel.
6. Remove front boiler plate.
7. Remove front refractory.
8. Remove old rear refractory (target wall) and clean out combustion area. Clean old sealant from front of boiler and inside of front plate.

Installation:

9. Remove target wall from plastic bag.
10. Carefully pass the target wall through the opening in the front section and set it against the back wall of the boiler. **See Drawing.**
11. Reform the top edge of the target wall and tuck the sides into the grooves between the boiler sections to hold it in place.
12. Measure the distance from the target wall just installed, to the front of the boiler and cut the blanket supplied to this length. **See Drawing.**
13. Install the Floor Blanket. **See Note C.**
14. Carefully press the front refractory into the front section opening. The smooth side should face inwards towards the combustion area, with the burner hole at the bottom left. **See Note B.**
15. Place sealant into the groove around the opening in the front section.
16. Replace boiler front plate and jacket panel.
17. Replace flange and oil burner.
18. Turn on all electrical switches and fuel supply valves. Complete initial firing and combustion test. **See Note E.**

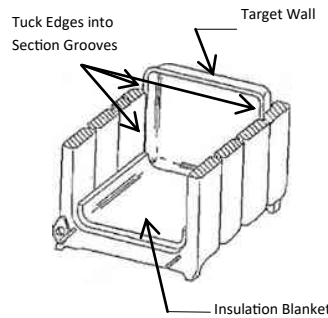
Note A: Correct Kit

Please check this is the correct kit for your make & model boiler by checking the box label or consulting our Ready Reference

Note B: Fitting Ceramic Fiber Pieces

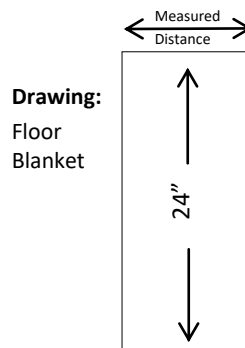
Many of the rigid ceramic fiber pieces are designed to be a firm press fit. To avoid breakage, press carefully and gradually. The fit may need to be adjusted by sanding or filing until a snug press fit is achieved.

Drawing: Target Wall Installation



Note C: Installing the Floor Blanket

The blanket provided with this kit is sized for the largest possible boiler and will normally have to be cut to size. The blanket must cover the entire bottom of the chamber. The blanket should be glued in place by covering the floor with waterglass before installing the blanket. Use the entire 4oz bottle that is provided and spread with a chip brush or rag.



Drawing:
Floor Blanket

Note E: Initial Firing

Fire the burner for 15 minutes to allow ceramic fiber insulation to "cure". It is normal when first fired for some smoke and a slight odor to occur. Combustion test must be performed after curing process.

Application, Installation and Use Warning:

In applications including; boilers, furnaces, wood stoves, wood inserts, fireplaces, heating devices, and other appliances, parts must be used consistently with original equipment manufacturers specifications, design, function and operation.

Improper installation or use of this product could result in a fire, smoke inhalation or carbon monoxide poisoning. Products should be installed by a licensed and certified technician in compliance with all national, state and local codes. Products should be inspected annually by a licensed and certified technician for wear, brittleness, cracking or crumbling, and replaced as necessary. Lynn Manufacturing, Inc. recommends installers certified by NFI, CSIA or NORA.

Never work on a piece of equipment or touch the fibrous product when it is hot, as the product may show no visible signs of heat from glowing or smoking.

Lynn Manufacturing, Inc offers hundreds of products with many applications. Determining whether the product is a fit for the particular purpose and suitable for an application is the sole responsibility of the purchaser/installer.

In no event shall Lynn Manufacturing, Inc be liable for any damages to property or life arising from or connected with the use of this product.

V0420