



5000 Series Zone Valves

V8043 QUICKFIT

SUBMITTAL SHEET

Job Name	
Engineer	
Mechanical Contractor	
Contractor's P.O. No.	
Representative	
Notes	

Model(s)			
	Qty.		Notes
	Qty.		Notes
	Qty.		Notes
Approval			
Service			
Tag No.			

APPLICATION

Use this valve in closed loop hydronic systems that do not contain dissolved oxygen in system water, such as fresh water from frequent source of makeup water. Valve designed for cycling (not constantly powered on) applications.

QuickFit actuator provides an easy snap on and off connection to the valve assembly.

SPECIFICATIONS

Application: Hydronic Control

Type: 2 Position

Body Pattern: Two-way, Straight-Through

Voltage: 24 Vac

Power Consumption: 7.2 Va

Frequency: 60 Hz

De-energized Position: Normally Closed

Maximum Ambient Temperature: 125 °F (52 °C)

Nominal Timing (sec, min): 15 sec

Static Pressure: 300 Psi (2068 kPa)

Warranty: 3 year limited warranty

MODELS

V8043 (Straight-Through, Normally Closed)

V8043A: Leadwires

V8043E: Leadwires and End Switch

V8043F: Terminal Board and End Switch

Valve Materials	
Body	Brass
Stem	Stainless Steel
Seat	Brass
Packing O-Ring	EPDM Rubber
Ball Plug	Buna-N (NBR) Rubber Ball
Actuator Materials	
Case	Brass
Cover	Stainless Steel
Sector Gears	Brass

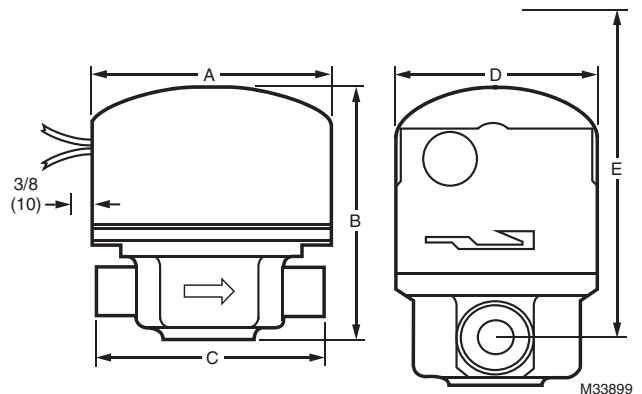


Fig. 1.



Dimensions

Product Number	Dimensions				
	A	B	C	D	E
V8043A5011	3 1/2"	4"	3 1/8"	2 3/8"	5 1/4"
V8043A5029	3 1/2"	4"	3 1/2"	2 3/8"	5 1/4"
V8043E5004	3 1/2"	4"	3 1/8"	2 3/8"	5 1/4"
V8043E5012	3 1/2"	4"	3 1/2"	2 3/8"	5 1/4"
V8043E5020	3 1/2"	4"	3 11/16"	2 3/8"	5 1/4"
V8043E5061	3 1/2"	4"	3 1/2"	2 3/8"	5 1/4"
V8043E5079	3 1/2"	4"	3 11/16"	2 3/8"	5 1/4"
V8043F5036	3 1/2"	4"	3 1/2"	2 3/8"	5 1/4"
V8043F5051	3 1/2"	4"	3 11/16"	2 3/8"	5 1/4"
V8043F5093	3 1/2"	4"	3 1/2"	2 3/8"	5 1/4"

Maximum Close-Off Pressure & Capacity

Product Number	Max Pressure		Capacity	
	Psi	kPa	Cv	Kv
V8043A5011	20	138	3.5	3
V8043A5029	20	138	3.5	3
V8043E5004	20	138	3.5	3
V8043E5012	20	138	3.5	3
V8043E5020	20	138	3.5	3
V8043E5061	8	55	8	6.9
V8043E5079	8	55	8	6.9
V8043F5036	20	138	3.5	3
V8043F5051	20	138	3.5	3
V8043F5093	8	55	8	6.9

ADDITIONAL SPECIFICATIONS

Actuator Electrical Rating: 24 Vac 60 Hz, 0.30 A Current Draw; 5 W, 7.2 VA maximum

End Switch Rating: 120 V, 4.4 A running with 26.4 A inrush (60Hz). Pilot duty 50 VA at 24 V

Humidity Rating: 5-95% RH (non-condensing)

Atmosphere: non-corrosive, non-explosive

Timing: V8043: Open or close in 15 seconds max.

Fluid Temperature Range: 50 to 200 °F (10 to 93 °C)

Manual Opener: Manual opener allows opening the valve in case of power failure. Valve returns to automatic position when power is restored.

Approvals:

Canadian Standards Association: CSA C/US
Underwriters Laboratories, Inc.

V8043 5000 Series Part Numbers

Product Number	Pipe Size	Connection Type	Electrical Connections	End Switch	Manual Opener	
V8043A5011	1/2"	Sweat	18 in. leads (457 mm leads)	--	Yes	
V8043A5029	3/4"	Sweat		--	Yes	
V8043E5004	1/2"	Sweat		SPST	Yes	
V8043E5012	3/4"	Sweat		SPST	Yes	
V8043E5020	1"	Sweat		SPST	Yes	
V8043E5061	3/4"	Sweat		SPST	Yes	
V8043E5079	1"	Sweat		SPST	Yes	
V8043F5036	3/4"	Sweat		Screw Terminal Block	SPST	Yes
V8043F5051	1"	Sweat			SPST	Yes
V8043F5093	3/4"	Sweat	SPST		Yes	



www.resideo.com

Resideo Technologies, Inc.
1985 Douglas Drive North, Golden Valley, MN 55422
1-800-468-1502
68-3092-03 M.S. Rev. 08-21 | Printed in United States