

**R845A SWITCHING RELAY**

**APPLICATION**

The R845A Switching Relay provides dpst switching for hydronic zone controlled heating systems or spst control of 2 separate loads. One load must be line voltage; the other may be either line or low voltage.

The R845A may be directly controlled by any 2-wire series 80 thermostat, such as the T86A Round Thermostat or T852A Electric Clock Thermostat.

Terminals 3 and 5 are not connected to an internal power source. Connections must be made to the R845A power supply or a separate power supply.

To reduce transformer hum and relay noise that are sometimes amplified by mounting surfaces of sheetmetal, plasterboard, and similar materials, place rubber or felt washers between the case and the mounting surface.

1. Position the relay and mark the screw holes.

2. Start a screw for the keyhole type mounting hole in upper right corner. Screw it down to 1/8 inch from the mounting surface.

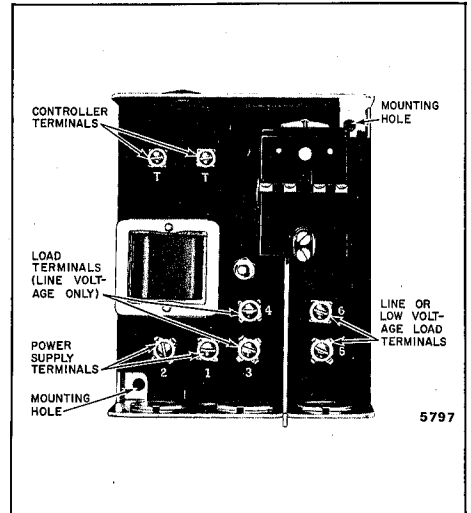
3. Hang the relay on the screw, position the case, and start the bottom screw; tighten both screws.

**MAXIMUM AMBIENT TEMPERATURE: 60 Hz, 115 F;  
 50 Hz, 105 F.**

**INSTALLATION**

**CAUTION**

1. Installer must be a trained, experienced serviceman.
2. Disconnect power supply before connecting wiring to prevent electrical shock and equipment damage.
3. Conduct thorough checkout before leaving installation.



**Fig. 2—R845A with cover removed.**

**WIRING**

**CAUTION**

Disconnect power supply before connecting wiring to prevent electrical shock and equipment damage.

All wiring must comply with applicable codes, ordinances, and regulations. Provide disconnect means and overload protection as required.

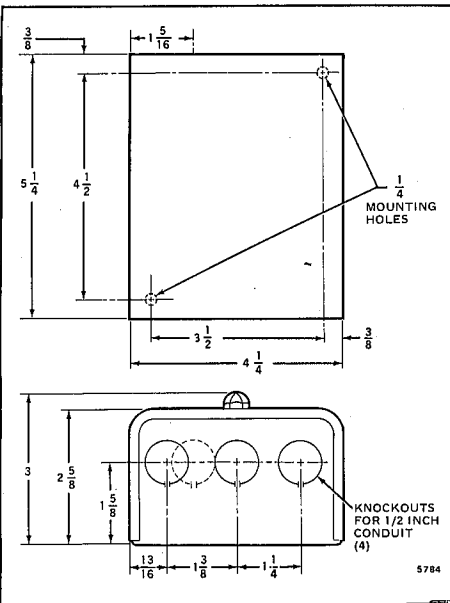
See Figs. 3 and 4 for typical connection diagrams.

**IMPORTANT**

When using the R845A to control both line and low voltage loads, always use terminals 5 and 6 for the low voltage load.

**LOCATION AND MOUNTING**

The R845A Switching Relay should be mounted vertically on a firm partition or wall as near as possible to the controlled equipment (see Fig. 1 for mounting dimensions).



**Fig. 1—Approximate dimensions (in inches).**

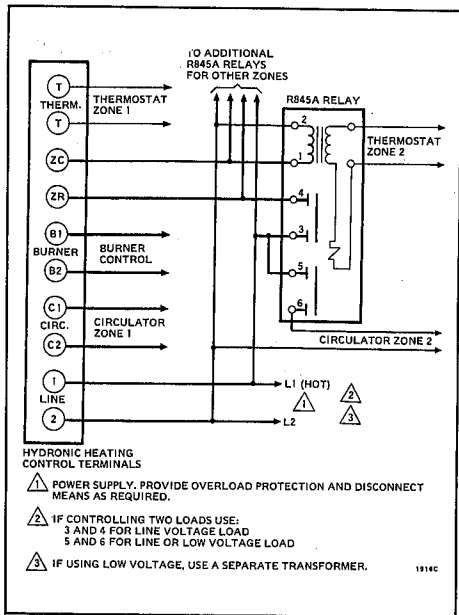


Fig. 3—Typical connections in a multizone hydronic heating system; suitable for any number of additional zones.

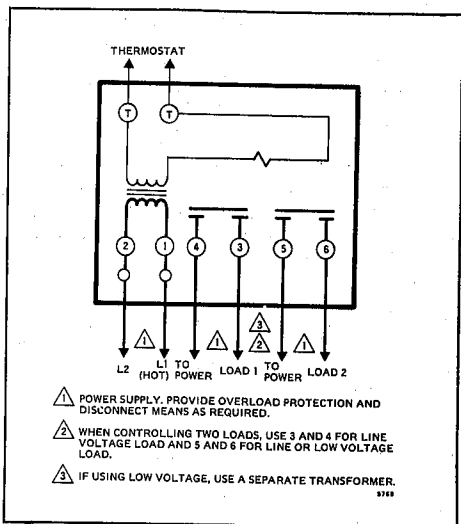


Fig. 4—Typical hookup for controlling 2 loads.

### CHECKOUT

Check completed installation for proper connections and for correct operation of all system components.