

POWERLIGHT®

120VAC IGNITER

51838U -
Igniter Only

PRODUCT SHEET

Features & Benefits

- *UL recognized in the US and Canada*
- *20 kV peak rating guarantees quick and efficient ignition.*
- *Small size & lightweight*
- *A vacuum encapsulation process, using a synthetic resin, provides resistance to moisture, excellent heat dissipation and electrical insulation.*
- *Case material is a high-temperature thermoplastic that provides high impact strength, scratch resistance, impenetrable to oil, and most chemicals.*
- *Adapts to multiple baseplates – making it the most versatile unit on the market. It will also fit on many other vendors' baseplates.*
- *Epoxy potting will not shrink or crack like tar-filled transformers*



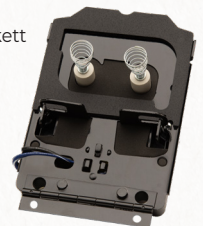
51835 Electronic Oil Igniter Kit

- **Lightweight:** Entire kit weighs less than one standard transformer.
- **Diverse:** Two Igniters, assorted mounting plates and terminals allow for easy adaptation to Aero, Beckett (A, AF, AFG, NX, S, SF, SMG, SR, SM, CF500, CF800), Carlin (99, 100, 102, EZ, 201, 301), Wayne (M, E, & HS), Weil McLain.



Available Igniters

51771U - Beckett
AF/AFG/NX



51805U
(5260101U) -
Beckett AFII



51824U -
Beckett SF/SM/
CF500/CF800

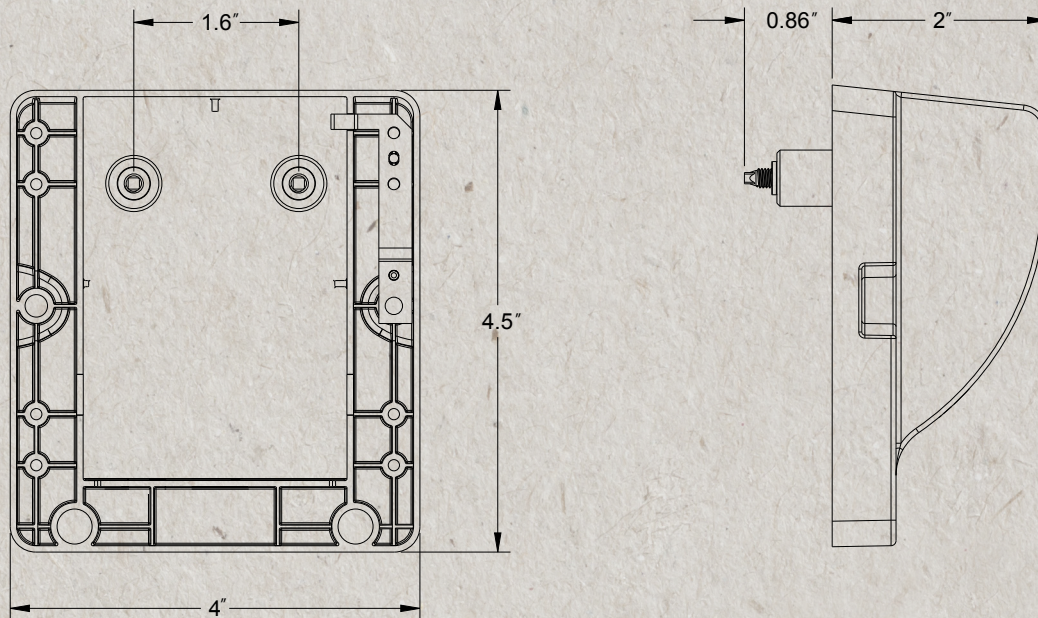


Beckett®

POWERLIGHT® 120VAC IGNITER

Product Dimensions

Weight:
Less than 1 lb.



Igniter Kits

Kit Part No.	Application
51838U	Igniter Only (for all A & S models)
51771U	Beckett A, AF, AFG, NX
51805U	Beckett AFII (also 5260101U)
51824U	Beckett S, SF, SMG, SR, SM CF500, CF800
51826U	Carlin 99, 100, 102, EZ
51840U	Carlin 201, 301
51825U	Wayne M
51827U	Wayne E
51836U	Wayne HS (no base plate)

Igniter Baseplate Kits

(includes 1 baseplate, hardware and instructions)

Kit Part No.	Application
51834U	Aero
51830U	Beckett A Housing
51831U	Beckett S Housing
51832U	Carlin 99, 100, 102, EZ
51841U	Carlin 201, 301
51833U	Wayne E
51829U	Wayne M

Technical Specifications

Input Voltage:

120 VAC, 50-60 Hz, 35 VA

Output Voltage: 6kV RMS, 20kV peak

Output Current: 35 mA RMS

Secondary Mid-point Ground

Ambient Operating Temperature:

-40°F (-40°C) to 150°F (66°C)

Storage Temperature:

-40°F (-40°C) to 150°F (66°C)

Moisture: 5 to 95% Relative Humidity

USA: **R.W. Beckett Corporation**, 1-800-645-2876

Canada: **R.W. Beckett Canada Ltd**, 1-800-665-6972

www.beckettcorp.com

Form No. 62245-001, R0.1

This document and all information contained herein are the sole property of the R.W. Beckett Corporation and cannot be reproduced or transmitted in whole or part without express written permission of the R.W. Beckett Corporation.

Beckett®