

Webstone

VALVE INNOVATION

THE **ONLY WAY** TO ISOLATE
CIRCULATOR PUMPS

The **ISOLATOR**[®]
UNI-FLANGE BALL VALVE



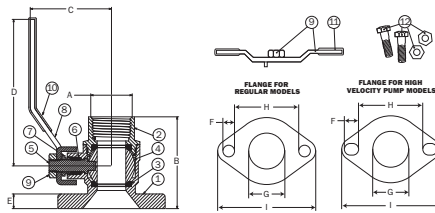
The ISOLATOR[®]

UNI-FLANGE BALL VALVE[®]

These valves have revolutionized the installation of circulator pumps. Our original Isolator[®] Uni-Flange Ball Valve design has evolved into the largest flanged ball valve program in the industry today.

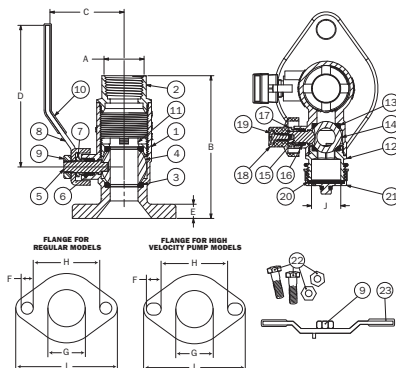
- Heavy Duty Forged Brass Construction
- Unique Uni-body Design
- Blowout Proof Stem
- Adjustable Packing Gland
- Conical Inlet to Minimize Turbulence
- Slotted Holes for High Velocity Pumps
- Fits Virtually Every Circulator Pump

THE ISOLATOR[®] UNI-FLANGE BALL VALVE



NO.	DESCRIPTION	MATERIAL
1	FLANGED BODY	BRASS
2	END CAP	BRASS
3	SEATS	PTFE
4	BALL	BRASS HCP
5	STEM	BRASS
6	STEM SEAL	PTFE
7	PACKING GLAND	BRASS
8	LEVER HANDLE	STEEL CP
9	HANDLE NUT	STAINLESS STEEL
10	HANDLE JACKET	VINYL
11	WING STYLE "T" HANDLE	STEEL CP W/ VINYL GRIPS
12	FLANGE BOLTS & NUTS	STEEL ZP

THE ISOLATOR[®] W/ DRAIN



1	BODY	BRASS
2	END CAP	BRASS
3	SEATS	PTFE
4	BALL	BRASS HCP
5	STEM	BRASS
6	STEM SEAL	PTFE
7	PACKING GLAND	BRASS
8	LEVER HANDLE	STEEL CP
9	HANDLE NUT	STAINLESS STEEL
10	HANDLE JACKET	VINYL
11	SEAT RETAINER	BRASS
12	DRAIN END CAP	BRASS
13	DRAIN SEATS	PTFE
14	DRAIN BALL	BRASS HCP
15	DRAIN STEM	BRASS
16	DRAIN STEM SEAL	PTFE
17	DRAIN PACKING GLAND	BRASS
18	DRAIN HANDLE	ENAMEL COATED ALUMINUM
19	DRAIN HANDLE SCREW	BRASS
20	WASHER	EPDM
21	CAP AND STRAP	BRASS W/ EPDM STRAP
22	FLANGE BOLTS & NUTS	STEEL ZP
23	WING STYLE "T" HANDLE	STEEL CP

THE ISOLATOR® UNI-FLANGE BALL VALVE

Full Port Forged Brass Uni-Flange Ball Valves
w/ Bonus Wing Style "T" Handle, Nuts & Bolts

ISO 9001
600 WOG

	ITEM #	SIZE	CTN/CASE	A	B	C	D	E	F	FHV	G	GHV	H	I
IPS	40402	1/2"	2/20	1/2	2 1/4	1 7/8	3 7/8	3/8	1/2	-	3/4	-	2 11/16	4 1/8
	40403	3/4"	2/20	3/4	2 3/8	2 1/16	3 7/8	3/8	1/2	-	1	-	2 11/16	4 1/8
	40404	1"	2/20	1	2 11/16	2 1/2	4 5/8	3/8	1/2	5/8	1 1/4	1 1/4	2 11/16	4 1/8
	40405	1 1/4"	2/20	1 1/4	2 7/8	2 3/8	4 5/8	3/8	1/2	5/8	1 9/16	1 9/16	2 11/16	4 1/8
	40406	1 1/2"	2/20	1 1/2	4	3 3/8	5 9/16	3/8	1/2	5/8	1 15/16	1 15/16	2 11/16	4 1/8
	40407HV	2"	2/10	2	4 7/16	3 3/4	5 9/16	3/8	-	5/8	-	1 15/16	2 11/16	4 1/8
SWT	50402	1/2"	2/20	1/2	2 1/8	1 7/8	3 7/8	3/8	1/2	-	3/4	-	2 11/16	4 1/8
	50403	3/4"	2/20	3/4	2 9/16	2 1/16	3 7/8	3/8	1/2	-	1	-	2 11/16	4 1/8
	50404	1"	2/20	1	2 15/16	2 1/2	4 5/8	3/8	1/2	5/8	1 1/4	1 1/4	2 11/16	4 1/8
	50405	1 1/4"	2/20	1 1/4	3 1/8	2 13/16	4 5/8	3/8	1/2	5/8	1 9/16	1 9/16	2 11/16	4 1/8
	50406	1 1/2"	2/20	1 1/2	4 3/8	3 3/8	5 9/16	3/8	1/2	5/8	1 15/16	1 15/16	2 11/16	4 1/8
	50407HV	2"	2/10	2	5 1/16	3 3/4	5 9/16	3/8	-	5/8	-	1 15/16	2 11/16	4 1/8

1" - 1 1/2" also available for High Velocity pumps - to order, add HV onto the end of the part #. 2" Available in High Velocity only.
HV models fit both Standard & High Velocity pumps.



THE ISOLATOR® W/ DRAIN

Full Port Forged Brass Uni-Flange Ball Valves w/ Hi-Flow Hose Drain
w/ Bonus Wing Style "T" Handle, Nuts & Bolts

ISO 9001
600 WOG

	ITEM #	SIZE	CTN/CASE	A	B	C	D	E	F	FHV	G	GHV	H	I	J
IPS	40413	3/4"	2/20	3/4	3 9/16	2 1/4	4	3/8	1/2	-	1	-	2 11/16	4 1/8	1/2
	40414	1"	2/20	1	3 5/8	2 3/8	4 5/8	3/8	1/2	5/8	1 1/4	1 1/4	2 11/16	4 1/8	1/2
	40415	1 1/4"	2/20	1 1/4	4 1/16	2 7/8	4 5/8	3/8	1/2	5/8	1 9/16	1 9/16	2 11/16	4 1/8	3/4
	40416	1 1/2"	2/10	1 1/2	5 1/8	3 1/4	5 1/2	3/8	1/2	5/8	1 15/16	1 15/16	2 11/16	4 1/8	3/4
	40417HV	2"	1/10	2	6 1/8	3 1/4	5 1/2	3/8	-	5/8	-	1 15/16	2 11/16	4 1/8	3/4
SWT	50413	3/4"	2/20	3/4	3 3/4	2 1/4	4	3/8	1/2	-	1	-	2 11/16	4 1/8	1/2
	50414	1"	2/20	1	3 15/16	2 5/8	4 5/8	3/8	1/2	5/8	1 1/4	1 1/4	2 11/16	4 1/8	1/2
	50415	1 1/4"	2/20	1 1/4	4 1/4	3	4 5/8	3/8	1/2	5/8	1 9/16	1 9/16	2 11/16	4 1/8	3/4
	50416	1 1/2"	2/10	1 1/2	5 1/2	3 1/4	5 1/2	3/8	1/2	5/8	1 15/16	1 15/16	2 11/16	4 1/8	3/4
	50417HV	2"	1/10	2	5 1/2	3 1/4	5 1/2	3/8	-	5/8	-	1 15/16	2 11/16	4 1/8	3/4

1" - 1 1/2" sizes also available for High Velocity pumps - to order, add HV onto the end of the part #. 2" Available in High Velocity only.
HV models fit both Standard & High Velocity pumps.



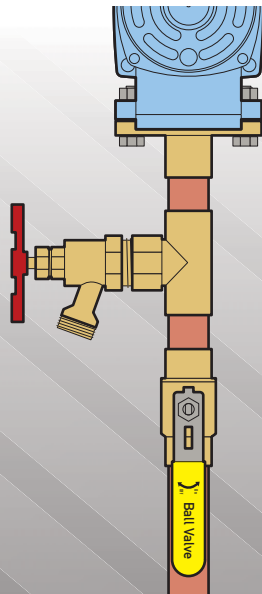
EVERYTHING BUT THE PUMP!

- 1 ISOLATOR
- 1 ISOLATOR W/ DRAIN
- 2 FULL-FACED FLANGE GASKETS
- 2 SETS OF NUTS & BOLTS
- 2 BONUS WING STYLE "T" HANDLES

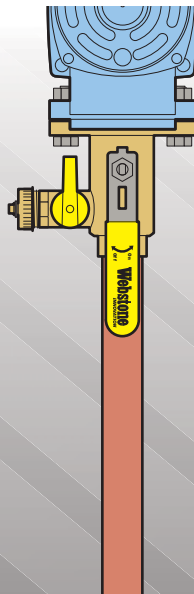
THE ISOLATOR® CIRCULATOR PUMP INSTALLATION KIT

	ITEM #	SIZE	CTN/CASE
IPS	40413KIT	3/4"	1/10
	40414KIT	1"	1/10
	40415KIT	1 1/4"	1/10
SWT	50413KIT	3/4"	1/10
	50414KIT	1"	1/10
	50415KIT	1 1/4"	1/10

THE OLD WAY



THE WEBSTONE WAY



- Replaces 7 Individual Components
- Eliminates 6 Leak Paths
- Saves Nearly 1 Hour of Labor
- Prevents Electrolysis
- Eliminates Galvanic Corrosion
- Allows Virtually No Air Into System Upon Pump Replacement

ROTATING FLANGE

The features and benefits you trust in our original Isolator® line with two versatile enhancements — 360° flange rotation and the capability to purge from either side of the pump. Install these valves at any degree of rotation necessary for your specific installation.

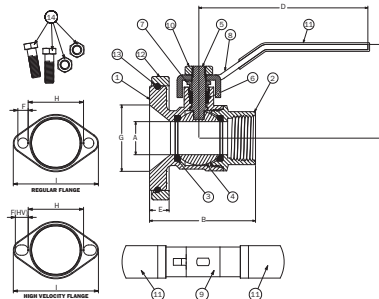
- **Unique Uni-body Design is Preserved**
- **Solid Forged Brass Outer Flange**
- **Fully Removable Outer Flange Secured by Snap Ring**
- **Multi-Function Drain**
- **3-Way Valve Purges Before or After the Pump**

PATENTED TECHNOLOGY



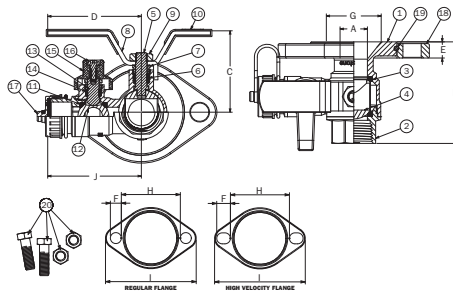
PATENTS PENDING

THE ISOLATOR® W/ ROTATING FLANGE



NO.	DESCRIPTION	MATERIAL
1	FLANGED BODY	BRASS
2	END CAP	BRASS
3	SEATS	PTFE
4	BALL	BRASS HCP
5	STEM	BRASS
6	STEM SEAL	PTFE
7	PACKING GLAND	BRASS
8	LEVER HANDLE	STEEL CP
9	WING STYLE "T" HANDLE	STEEL CP
10	HANDLE NUT	STAINLESS STEEL
11	HANDLE JACKET	VINYL
12	ROTATING FLANGE	BRASS
13	ROTATING FLANGE RING	STAINLESS STEEL
14	FLANGE BOLTS & NUTS	STEEL ZP

THE ISOLATOR® W/ ROTATING FLANGE & MULTI-FUNCTION DRAIN



NO.	DESCRIPTION	MATERIAL
1	FLANGED BODY	BRASS
2	END CAP	BRASS
3	SEATS	PTFE
4	BALL	BRASS HCP
5	STEM	BRASS
6	STEM SEAL	PTFE
7	PACKING GLAND	BRASS
8	HANDLE	STEEL CP
9	HANDLE NUT	STAINLESS STEEL
10	HANDLE JACKET	VINYL
11	DRAIN VALVE SEATS	PTFE
12	DRAIN VALVE BALL	BRASS HCP
13	DRAIN VALVE STEM	BRASS
14	DRAIN VALVE STEM SEAL	PTFE
15	DRAIN VALVE HANDLE	ENAMEL COATED ALUMINUM
16	DRAIN VALVE HANDLE SCREW	BRASS
17	DRAIN VALVE CAP, WASHER & STRAP	BRASS W/EPDM WASHER & STRAP
18	ROTATING FLANGE	BRASS
19	ROTATING FLANGE RING	STAINLESS STEEL
20	FLANGE BOLTS & NUTS	STEEL ZP

THE ISOLATOR® W/ ROTATING FLANGE

Full Port Forged Brass Uni-Flange Ball Valves w/ Detachable Rotating Flange
 Bonus Wing Style "T" Handle, Nuts & Bolts

ISO 9001
 600 WOG

	ITEM #	SIZE	CTN/CS	A	B	C	D (LEVER)	D (WING)	E	F	FHV	G	GHV	H	I
IPS	41403	3/4"	2/20	3/4	2 3/8	2 13/16	3/78	3 7/8	7/16	1/2	-	1 1/2	-	2 11/16	4 1/8
	41404	1"	2/20	1	3 1/16	2 5/8	4 11/16	4 3/4	7/16	1/2	5/8	1 1/2	1 1/2	2 11/16	4 1/8
	41405	1 1/4"	2/20	1 1/4	3 1/4	2 15/16	4 11/16	5 1/16	7/16	1/2	5/8	1 1/2	1 1/2	2 11/16	4 1/8
	41406	1 1/2"	2/20	1 1/2	4	3 1/2	5 5/8	5 1/2	7/16	1/2	5/8	1 1/2	1 1/2	2 11/16	4 1/8
SWT	51403	3/4"	2/20	3/4	2 9/16	2 3/16	3/78	3 7/8	7/16	1/2	-	1 1/2	-	2 11/16	4 1/8
	51404	1"	2/20	1	3 5/16	2 5/8	4 11/16	4 3/4	7/16	1/2	5/8	1 1/2	1 1/2	2 11/16	4 1/8
	51405	1 1/4"	2/20	1 1/4	3 7/16	2 15/16	4 11/16	5 1/16	7/16	1/2	5/8	1 1/2	1 1/2	2 11/16	4 1/8
	51406	1 1/2"	2/20	1 1/2	4 6/16	3 8/16	5 5/8	5 1/2	7/16	1/2	5/8	1 1/2	1 1/2	2 11/16	4 1/8

Also available for High Velocity pumps - to order, add HV onto the end of the part #.
 HV models fit both Standard & High Velocity pumps.



THE ISOLATOR® W/ ROTATING FLANGE & MULTI-FUNCTION DRAIN

Full Port Forged Brass Uni-Flange Ball Valves w/ Detachable Rotating Flange
 & Multi-Function Hi-Flow Hose Drain

ISO 9001
 600 WOG

	ITEM #	SIZE	CTN/CS	A	B	C	D	E	F	FHV	G	GHV	H	I	J
IPS	41413	3/4"	2/20	3/4	2 3/8	2 3/8	2 1/2	3/8	1/2	-	1	-	2 11/16	4 3/16	2 3/4
	41414	1"	2/20	1	2 15/16	2 5/8	2 1/2	3/8	1/2	5/8	1 1/4	1 1/4	2 11/16	4 3/16	2 3/4
	41415	1 1/4"	2/20	1 1/4	3 5/16	3 3/16	3 3/16	3/8	1/2	5/8	1 9/16	1 9/16	2 11/16	4 3/16	3 1/4
	41416	1 1/2"	2/10	1 1/2	4	3 3/8	3 13/16	3/8	1/2	5/8	1 15/16	1 15/16	2 11/16	4 3/16	3 1/2
SWT	51413	3/4"	2/20	3/4	3	2 7/16	2 1/2	3/8	1/2	-	1	-	2 11/16	4 3/16	2 3/4
	51414	1"	2/20	1	3 1/4	2 5/8	2 1/2	3/8	1/2	5/8	1 1/4	1 1/4	2 11/16	4 3/16	2 3/4
	51415	1 1/4"	2/20	1 1/4	3 1/2	3 1/6	3 3/16	3/8	1/2	5/8	1 9/16	1 1/4	2 11/16	4 3/16	3 1/4
	51416	1 1/2"	2/10	1 1/2	4 3/8	3 3/8	3 13/16	3/8	1/2	5/8	1 15/16	1 1/4	2 11/16	4 3/16	3 1/2

Also available for High Velocity pumps - to order, add HV onto the end of the part #.
 HV models fit both Standard & High Velocity pumps.



EVERYTHING BUT THE PUMP!

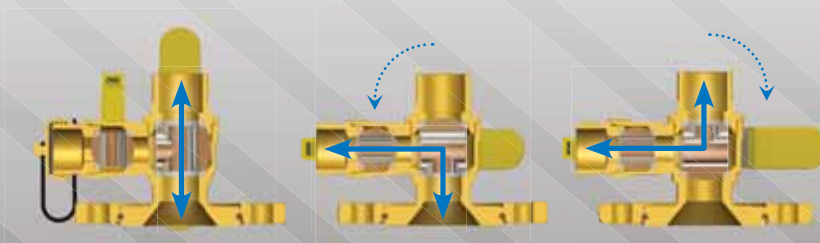
- 1 ISOLATOR W/ ROTATING FLANGE
- 1 ISOLATOR W/ ROTATING FLANGE & DRAIN
- 2 FULL-FACED FLANGE GASKETS
- 2 SETS OF NUTS & BOLTS
- & BONUS WING STYLE "T" HANDLE

THE ISOLATOR® CIRCULATOR PUMP INSTALLATION KIT

	ITEM #	SIZE	CTN/CASE
IPS	41413KIT	3/4"	1/10
	41414KIT	1"	1/10
	41415KIT	1 1/4"	1/10
SWT	51413KIT	3/4"	1/10
	51414KIT	1"	1/10
	51415KIT	1 1/4"	1/10

WEBSTONE ADVANTAGES

- Flush Inner & Outer Flanges Helps to Prevent Damage From Over-Torquing
- Snap Ring Provides Greater Control Over Installation
- Twice the Purging Capabilities in a Single Component



MULTI-FUNCTION DRAIN - Purges Before or After Pump

SNUG-FIT ROTATING FLANGE



SECTION REMOVED TO SHOW INTERNAL CONSTRUCTION

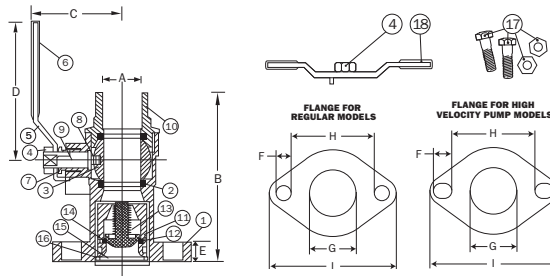
CHECK VALVE

The features and benefits you trust in our original Isolator® line PLUS a replaceable integral spring loaded check valve. These valves are available in a variety of configurations and features one of the largest flow rates available anywhere.

- **Unique Uni-Body Design**
- **Heavy Duty All Brass Construction**
- **Generously Sized Integral Check Valve Reduces Impact on Pump**
- **Easy Removal of Check Feature Allows for Easy Maintenance**
- **Replacement Check Components Available**

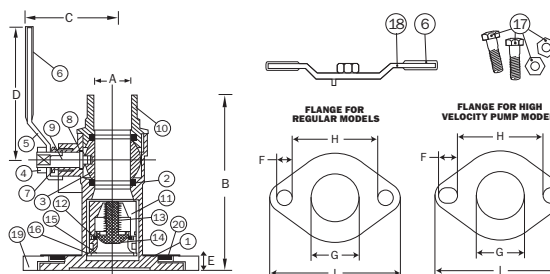


THE ISOLATOR® W/ CHECK VALVE



NO.	DESCRIPTION	MATERIAL
1	FLANGED BODY	BRASS
2	SEATS	PTFE
3	BALL	BRASS HCP
4	HANDLE NUT	BRASS
5	LEVER HANDLE	STEEL CP
6	HANDLE JACKET	VINYL
7	PACKING GLAND	BRASS
8	STEM SEAL	PTFE
9	STEM	BRASS
10	END CAP	BRASS
11	CHECK VALVE BODY	ABS
12	O-RING - INNER SEAL	NBR
13	SPRING	STAINLESS STEEL 316
14	POPPET	ABS
15	O-RING - OUTER SEAL	ABS
16	RETAINING RING	STAINLESS STEEL 316
17	FLANGE BOLTS & NUTS	STEEL ZP
18	WING STYLE "T" HANDLE	STEEL CP W/ VINYL GRIPS

THE ISOLATOR® W/ CHECK VALVE & ROTATING FLANGE



NO.	DESCRIPTION	MATERIAL
1	FLANGED BODY	BRASS
2	SEATS	PTFE
3	BALL	BRASS HCP
4	HANDLE NUT	BRASS
5	LEVER HANDLE	STEEL CP
6	HANDLE JACKET	VINYL
7	PACKING GLAND	BRASS
8	STEM SEAL	PTFE
9	STEM	BRASS
10	END CAP	BRASS
11	CHECK VALVE BODY	ABS
12	O-RING - INNER SEAL	NBR
13	SPRING	STAINLESS STEEL 316
14	POPPET	ABS
15	O-RING - OUTER SEAL	ABS
16	RETAINING RING	STAINLESS STEEL 316
17	FLANGE BOLTS & NUTS	STEEL ZP
18	WING STYLE "T" HANDLE	STEEL CP W/ VINYL GRIPS
19	ROTATING FLANGE	BRASS
20	FLANGE RING	ABS

THE ISOLATOR W/ CHECK VALVE

Full Port Forged Brass Uni-Flange Ball Valves w/ Replaceable Integral Spring Check
 Bonus Wing Style "T" Handle, Nuts & Bolts

ISO 9001
 600 WOG – 150 PSI @ 200°F

	ITEM #	SIZE	CTN/CASE	A	B	C	D	E	F	FHV	G	GHV	H	I
IPS	42403	3/4"	1/10	3/4	3 1/4	2 1/4	4	3/8	1/2	-	1	-	2 11/16	4 1/8
	42404	1"	1/10	1	4 1/16	2 1/2	4 5/8	3/8	1/2	5/8	1 1/4	1 1/4	2 11/16	4 1/8
	42405	1 1/4"	1/10	1 1/4	4 15/16	2 15/16	4 5/8	3/8	1/2	5/8	1 9/16	1 9/16	2 11/16	4 1/8
	42406	1 1/2"	1/10	1 1/2	4 15/16	3 3/8	5 1/2	3/8	1/2	5/8	1 15/16	1 15/16	2 11/16	4 1/8
SWT	52403	3/4"	1/10	3/4	3 7/16	2 5/16	4	3/8	1/2	-	1	-	2 11/16	4 1/8
	52404	1"	1/10	1	4 7/16	2 1/2	4 5/8	3/8	1/2	5/8	1 1/4	1 1/4	2 11/16	4 1/8
	52405	1 1/4"	1/10	1 1/4	5 13/16	2 15/16	4 5/8	3/8	1/2	5/8	1 9/16	1 9/16	2 11/16	4 1/8
	52406	1 1/2"	1/10	1 1/2	5 13/16	3 3/8	5 1/2	3/8	1/2	5/8	1 15/16	1 15/16	2 11/16	4 1/8

1" – 1 1/2" also available for High Velocity pumps - to order, add HV onto the end of the part #.
 HV models fit both Standard & High Velocity pumps.



THE ISOLATOR W/ CHECK VALVE & ROTATING FLANGE

Full Port Forged Brass Uni-Flange Ball Valves w/ Replaceable Integral Spring Check & Detachable Rotating Flange
 Bonus Wing Style "T" Handle, Nuts & Bolts

ISO 9001
 600 WOG – 150 PSI @ 200°F

	ITEM #	SIZE	CTN/CASE	A	B	C	D	E	F	FHV	G	GHV	H	I
IPS	43403	3/4"	1/10	3/4	3 1/4	2 1/4	4	3/8	1/2	5/8	1	1	2 11/16	4 1/8
	43404	1"	1/10	1	4 1/16	2 1/2	4 5/8	3/8	1/2	5/8	1 1/4	1 1/4	2 11/16	4 1/8
	43405	1 1/4"	1/10	1 1/4	4 15/16	2 15/16	4 5/8	3/8	1/2	5/8	1 9/16	1 9/16	2 11/16	4 1/8
	43406	1 1/2"	1/10	1 1/4	4 15/16	3 3/8	5 1/2	3/8	1/2	5/8	1 15/16	1 15/16	2 11/16	4 1/8
SWT	53403	3/4"	1/10	3/4	3 7/16	2 1/4	4	3/8	1/2	5/8	1	1	2 11/16	4 1/8
	53404	1"	1/10	1	4 7/16	2 1/2	4 5/8	3/8	1/2	5/8	1 1/4	1 1/4	2 11/16	4 1/8
	53405	1 1/4"	1/10	1 1/4	5 3/16	2 15/16	4 5/8	3/8	1/2	5/8	1 9/16	1 9/16	2 11/16	4 1/8
	53406	1 1/2"	1/10	1 1/4	5 3/16	3 3/8	5 1/2	3/8	1/2	5/8	1 15/16	1 15/16	2 11/16	4 1/8

Also available for High Velocity pumps - to order, add HV onto the end of the part #. HV models fit both Standard & High Velocity pumps.



THE ISOLATOR CHECK VALVE ACCESSORIES

REPLACEMENT INTEGRAL CHECK

ITEM #	SIZE	CTN/CASE
C42403	3/4"	1/100
C42404	1"	1/100
C42405	1 1/4"	1/100
C42406	1 1/2"	1/100

REPLACEMENT RETAINING RING

ITEM #	SIZE	CTN/CASE
RR42403	3/4"	1/100
RR42404	1"	1/100
RR42405	1 1/4"	1/100
RR42406	1 1/2"	1/100

DOUBLE FLANGED CHECK VALVE

- Uni-Body Design Reduces Leak Paths
- Adds a Check Valve to Any Pump
- Installs Between the Pump & Isolator Uni-Flange Ball Valve
- Covers More Installations with Fewer SKUs than the Isolator w/ Integral Checks
- Flush Inner & Outer Flanges Help Prevent Damage from Over-Torquing
- 360° Rotating Flange with Snap Ring Provides Greater Control During Installation



PATENTS PENDING

SNUG-FIT ROTATING FLANGE



SECTION REMOVED TO SHOW INTERNAL CONSTRUCTION

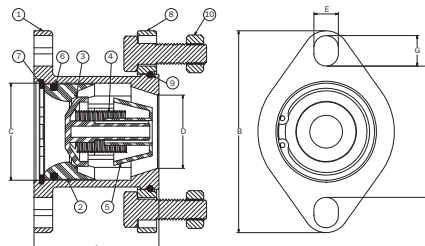
DOUBLE FLANGED CHECK VALVE

Double Flanged Check Forged Brass Check Valve w/ Rotating Flange End
 Includes One Set of Mounting Bolts & Full-Faced Flange Gasket

ISO 9001
 150 PSI @ 200°F

ITEM #	SIZE	CTN/CASE	A	B	C	D	E	F	G
13706HV	1 1/2" or 2"	1/10	2 9/16	4 3/16	2	1 1/2	3/8	2 11/16	5/8

NO.	DESCRIPTION	MATERIAL
1	FLANGE BODY	BRASS
2	CHECK VALVE BODY	ABS
3	O-RING INNER SEAL	NBR
4	SPRING	STAINLESS STEEL
5	POPPET	ABS
6	O-RING OUTER SEAL	NBR
7	RETAINING RING	STAINLESS STEEL
8	ROTATING FLANGE	BRASS
9	ROTATING FLANGE RING	STAINLESS STEEL
10	FLANGE NUT & BOLTS	STEEL ZP



15 years ago, Webstone revolutionized the installation of circulator pumps with the introduction of the Isolator.

Today, we've taken this time tested product to a new dimension and created a complete solution that will revolutionize the industry once again.

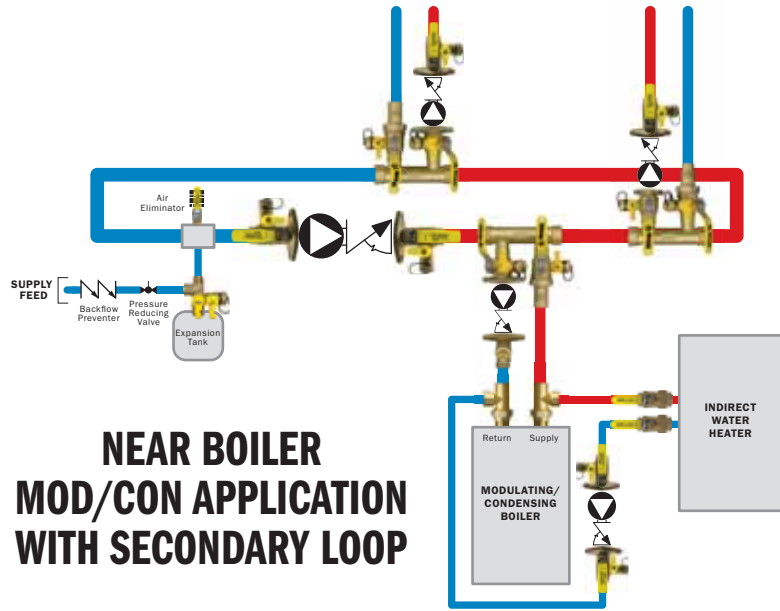
HYDRO-CORE™

THE CORE OF A PROFESSIONAL HYDRONIC INSTALLATION

EASILY INSTALL & SERVICE ANY NEAR BOILER OR SECONDARY CIRCUIT LOOP

- Replaces 15 components
- Eliminates 13 connections
- Saves nearly 2 hours of labor
- Installation kits to fit over 100 different boilers

WHERE WOULD YOU USE WEBSTONE?



The ISOLATOR™

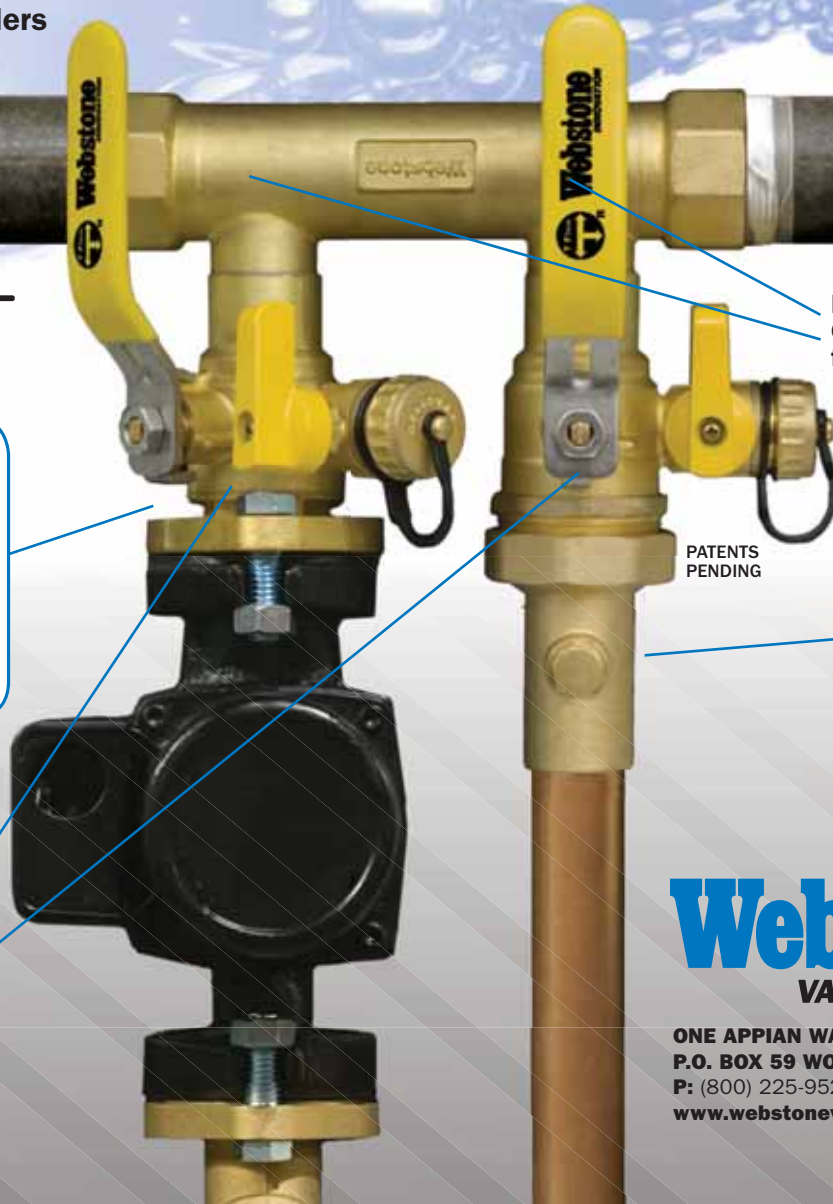
UNI-FLANGE BALL VALVE®
with ROTATING FLANGE & MULTI-FUNCTION DRAIN



T-Flow Ball for Compact Design



Directs flow into either the boiler or purge drain.



Precision-Crafted Closely Spaced Tees for Hydraulic Separation

Three Union Connection Styles

- Basic Connection
- 1/4" Plugged Pressure Gauge Port (shown)
- With Multiple Device Ports

PATENTS PENDING

Webstone

VALVE INNOVATION

ONE APPIAN WAY WORCESTER, MA 01610
P.O. BOX 59 WORCESTER, MA 01613
P: (800) 225-9529 • F: (800) 336-5133
www.webstonevalves.com