

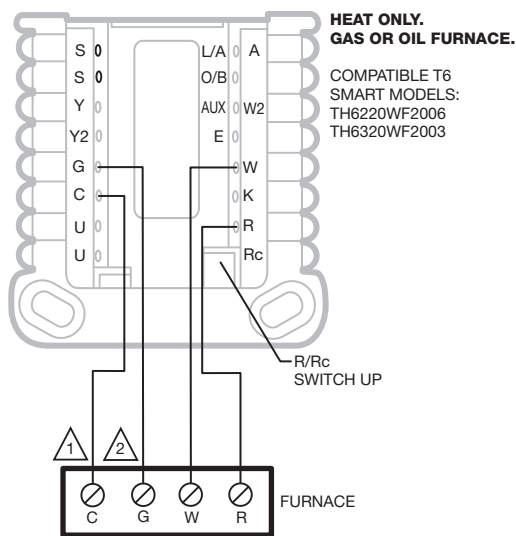


T6 Pro Smart Wiring Diagrams

ADDENDUM

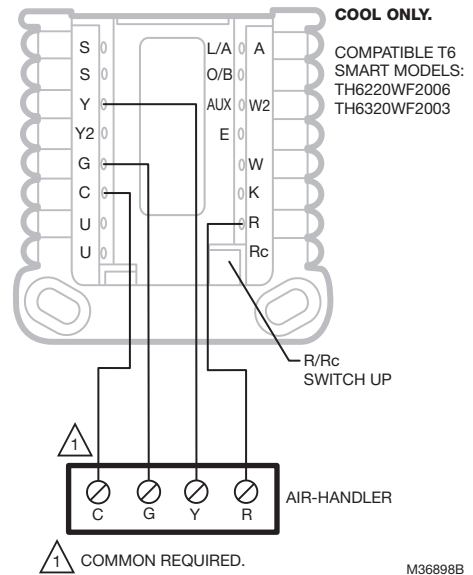
WIRING DIAGRAMS

Heat only: Gas or Oil Furnace

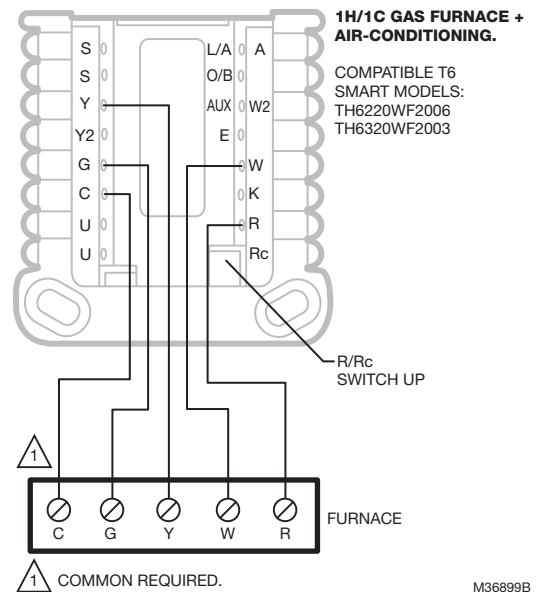


1 COMMON REQUIRED.
 2 G USED FOR INDEPENDENT FAN CONTROL ONLY. MOST HEAT ONLY, GAS OR OIL FORCED AIR SYSTEMS DO NOT USE A FAN (G) WIRE.
 M36897B

Cool only



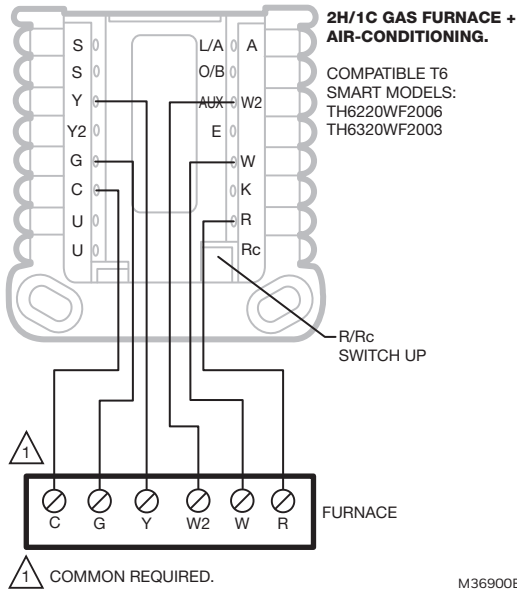
1H/1C: Gas Furnace



1 COMMON REQUIRED.
 M36899B

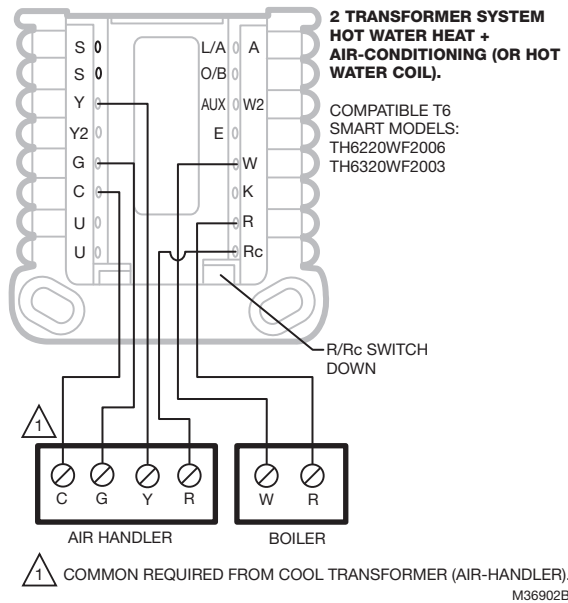


2H/1C: Gas Furnace



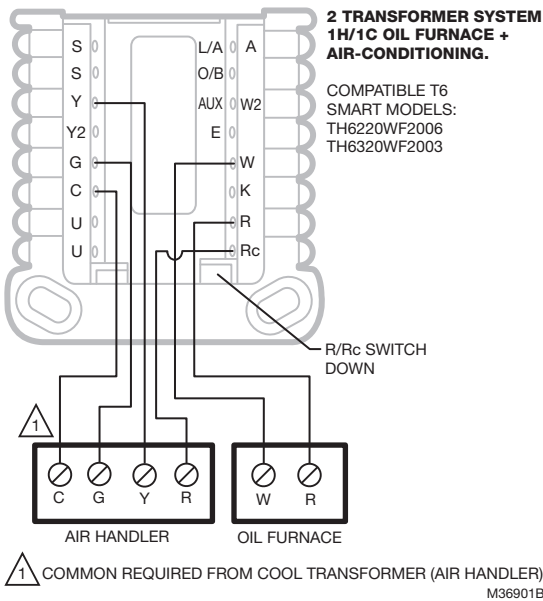
M36900B

2 Transformer System, Hot Water Heat with Air-Conditioning (or Hot Water Coil)



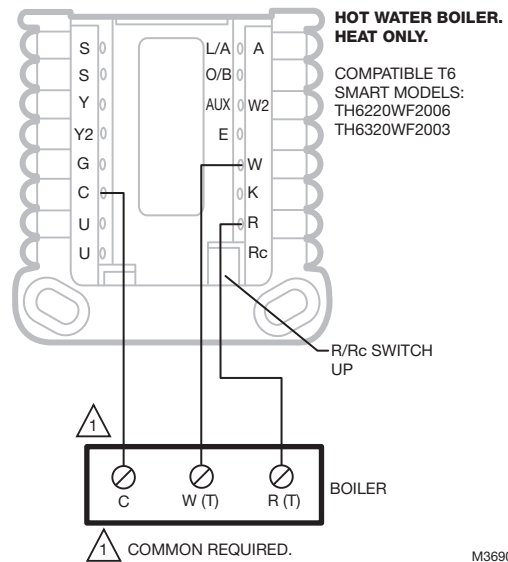
M36902B

2 Transformer System, 1H/1C: Oil Furnace



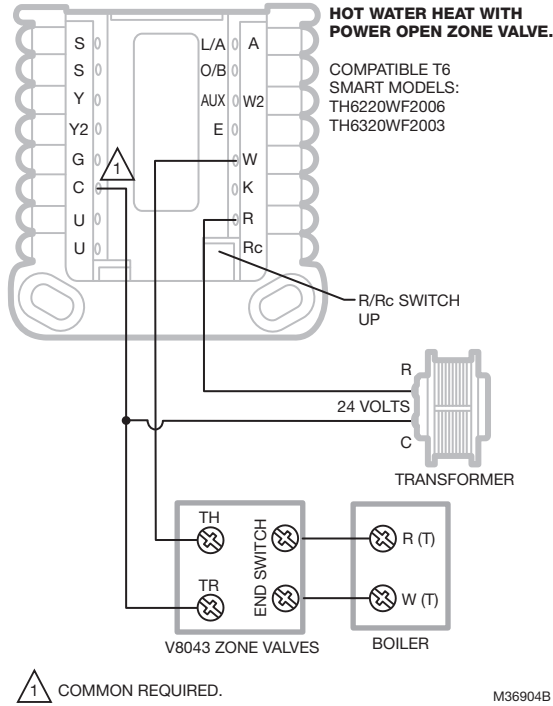
M36901B

Hot Water Boiler, Heat Only

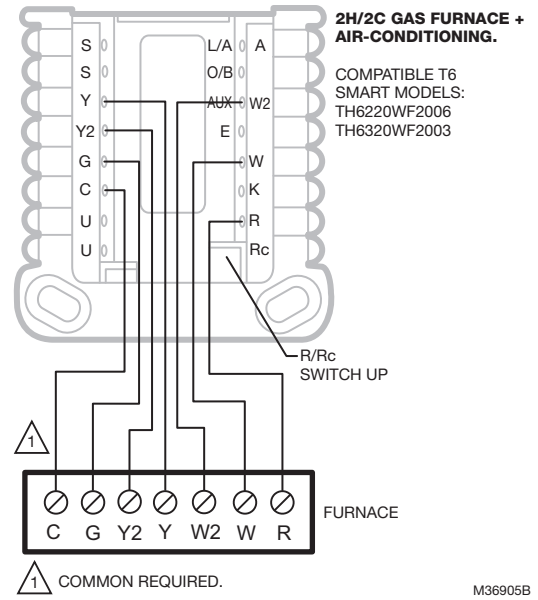


M36903B

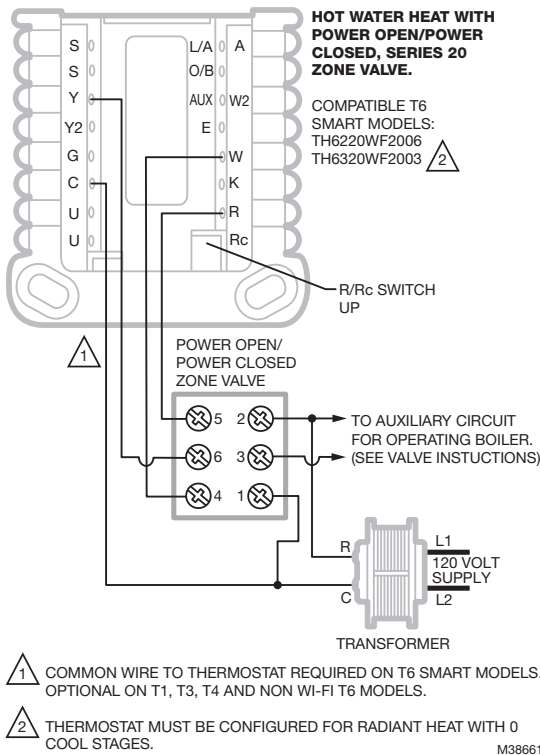
Hot Water Heat with Power Open Zone Valve



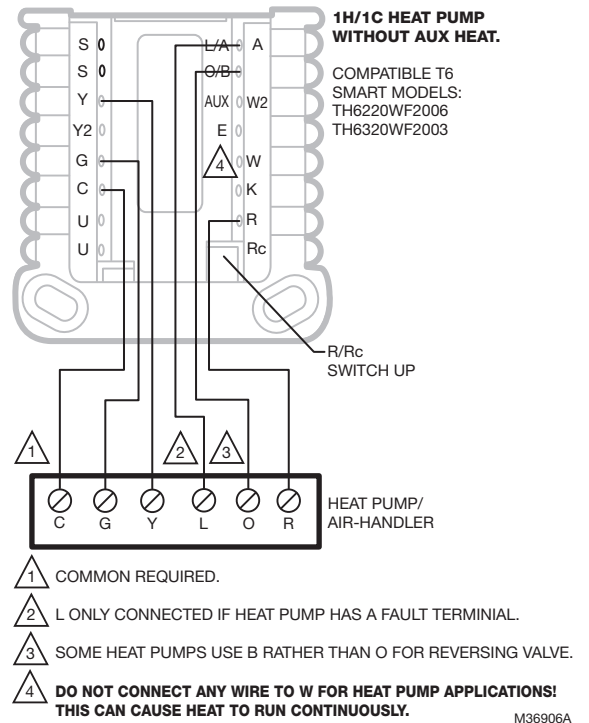
2H/2C: Gas Furnace



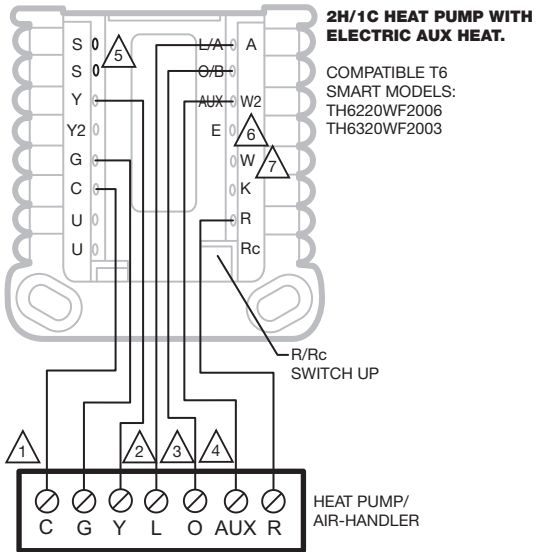
Hot Water Heat with Power Open/Power Closed, Series 20 Zone Valve.



1H/1C: Heat Pump without Aux Heat



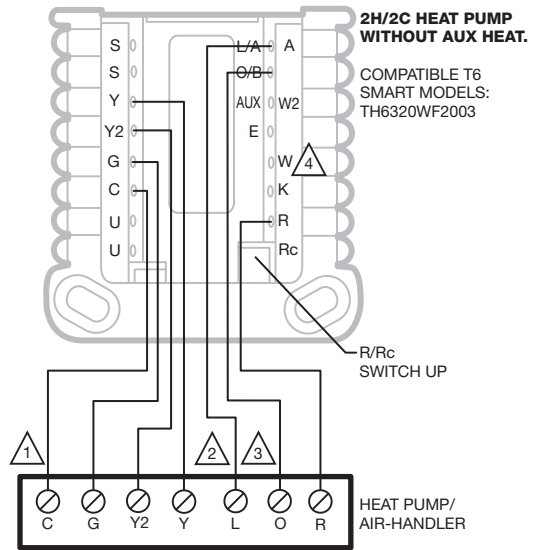
2H/1C: Heat Pump with Electric Aux Heat



- 1 COMMON REQUIRED.
- 2 L ONLY CONNECTED IF HEAT PUMP HAS A FAULT TERMINAL.
- 3 SOME HEAT PUMPS USE B RATHER THAN O FOR REVERSING VALVE.
- 4 DIFFERENT HEAT PUMP MODELS LABEL THE AUXILIARY HEAT TERMINAL DIFFERENTLY THAN SHOWN. CONSULT HEAT PUMP WIRING GUIDE.
- 5 LOCKOUT OF AUX HEAT ON HIGH OUTDOOR TEMPERATURE CAN BE DONE THROUGH ROUTER/INTERNET CONNECTION AND HOME APP OR WIRE C7089U1006 TO THE TWO "S" TERMINALS.
- 6 MOST HEAT PUMPS SHARE THE SAME SET OF HEAT STRIPS FOR AUX AND EM HEAT. IN THOSE CASES E ISN'T USED. THE TH320WF2006 MODEL CAN BE CONFIGURED FOR SEPARATE AUX AND E. IF THIS IS DONE, WIRE ONE SET OF STRIPS TO E TO BE ENERGIZED IN EM HEAT AND A DIFFERENT SET OF STRIPS TO AUX TO BE ENERGIZED IN AUX HEAT.
- 7 **DO NOT CONNECT ANY WIRE TO W FOR HEAT PUMP APPLICATIONS! THIS CAN CAUSE HEAT TO RUN CONTINUOUSLY.**

M36907B

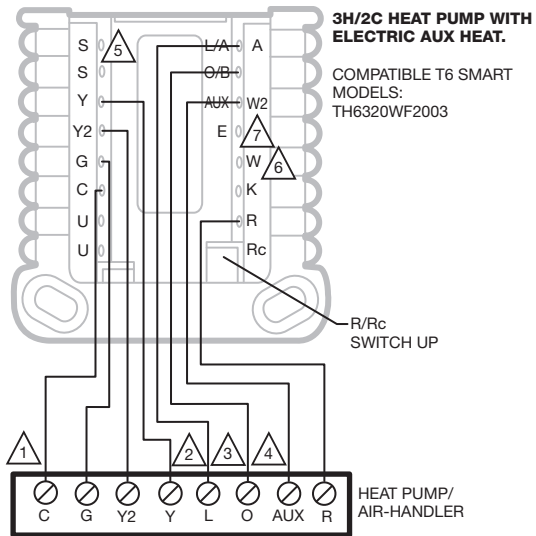
2H/2C: Heat Pump without Aux Heat



- 1 COMMON REQUIRED.
- 2 L ONLY CONNECTED IF HEAT PUMP HAS A FAULT TERMINAL.
- 3 SOME HEAT PUMPS USE B RATHER THAN O FOR REVERSING VALVE.
- 4 **DO NOT CONNECT ANY WIRE TO W FOR HEAT PUMP APPLICATIONS! THIS CAN CAUSE HEAT TO RUN CONTINUOUSLY.**

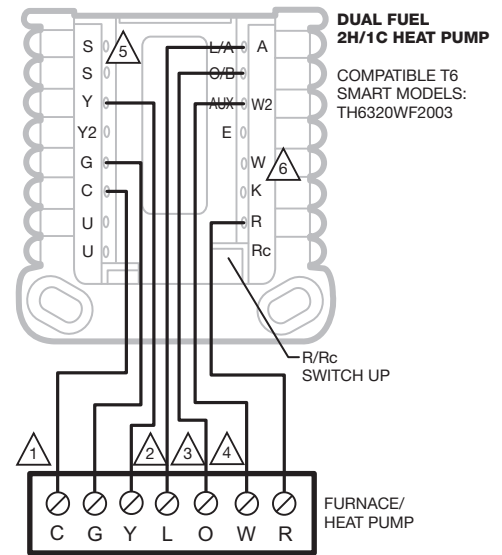
M36908B

3H/2C Heat Pump with Electric Aux Heat



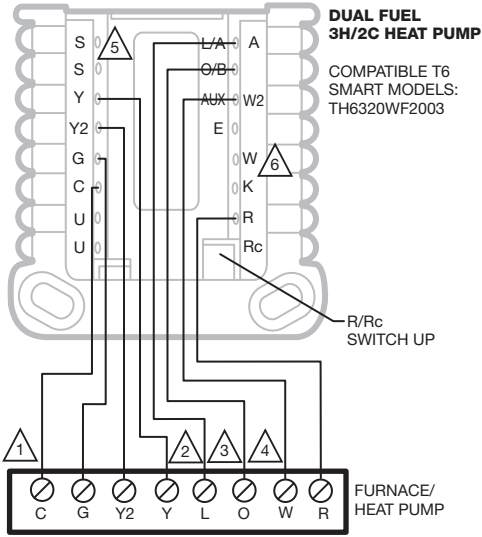
- 1 COMMON REQUIRED.
 - 2 L ONLY CONNECTED IF HEAT PUMP HAS A FAULT TERMINAL.
 - 3 SOME HEAT PUMPS USE B RATHER THAN O FOR REVERSING VALVE.
 - 4 DIFFERENT HEAT PUMP MODELS LABEL THE AUXILIARY HEAT TERMINAL DIFFERENTLY THAN SHOWN. CONSULT HEAT PUMP WIRING GUIDE.
 - 5 LOCKOUT OF AUX HEAT ON HIGH OUTDOOR TEMPERATURE CAN BE DONE THROUGH ROUTER/INTERNET CONNECTION AND HOME APP OR WIRE C7089U1006 TO THE TWO "S" TERMINALS.
 - 6 **DO NOT CONNECT ANY WIRE TO W FOR HEAT PUMP APPLICATIONS! THIS CAN CAUSE HEAT TO RUN CONTINUOUSLY.**
 - 7 MOST HEAT PUMPS SHARE THE SAME SET OF HEAT STRIPS FOR AUX AND EM HEAT. IN THOSE CASES E ISN'T USED. THE TH6320WF2006 MODEL CAN BE CONFIGURED FOR SEPARATE AUX AND E. IF THIS IS DONE, WIRE ONE SET OF STRIPS TO E TO BE ENERGIZED IN EM HEAT AND A DIFFERENT SET OF STRIPS TO AUX TO BE ENERGIZED IN AUX HEAT.
- M36909B

Dual Fuel, 2H/1C: Heat Pump



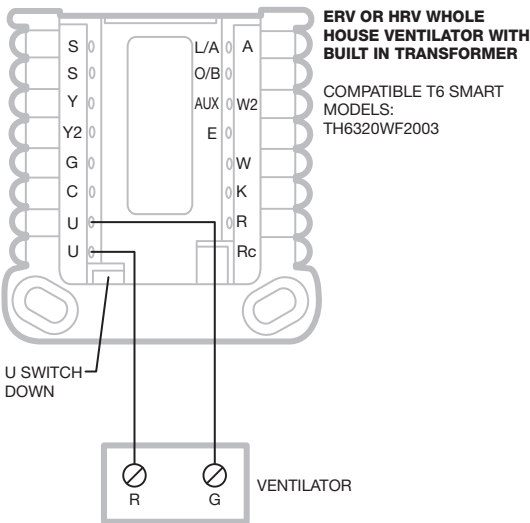
- 1 COMMON REQUIRED.
 - 2 L ONLY CONNECTED IF HEAT PUMP HAS A FAULT TERMINAL.
 - 3 SOME HEAT PUMPS USE B RATHER THAN O FOR REVERSING VALVE.
 - 4 THE HEAT PUMP AND FURNACE HAVE SEPARATE BOARDS. WE SHOW THEM TOGETHER TO SIMPLIFY THE DIAGRAM. W IS FROM THE FURNACE BOARD.
 - 5 BALANCE POINT LOCKOUT CAN BE DONE THROUGH ROUTER/INTERNET CONNECTION AND HOME APP OR WIRE C7089U1006 TO THE TWO "S" TERMINALS.
 - 6 **DO NOT CONNECT ANY WIRE TO W FOR HEAT PUMP APPLICATIONS! THIS CAN CAUSE HEAT TO RUN CONTINUOUSLY.**
- M36910

Dual Fuel, 3H/2C: Heat Pump



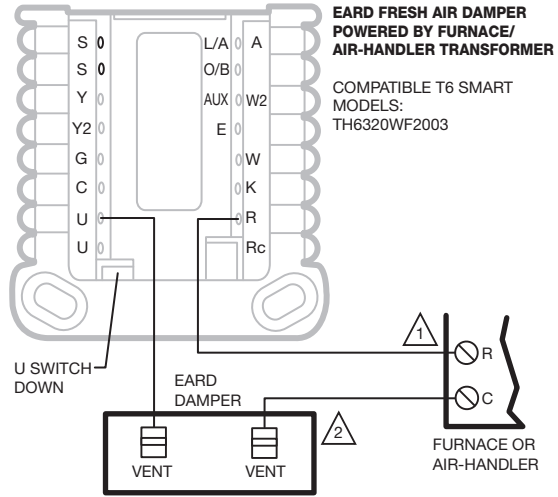
- 1 COMMON REQUIRED.
- 2 L ONLY CONNECTED IF HEAT PUMP HAS A FAULT TERMINAL.
- 3 SOME HEAT PUMPS USE B RATHER THAN O FOR REVERSING VALVE.
- 4 THE HEAT PUMP AND FURNACE HAVE SEPARATE BOARDS. WE SHOW THEM TOGETHER TO SIMPLIFY THE DIAGRAM. W IS FROM THE FURNACE BOARD.
- 5 LOCKOUT OF AUX HEAT ON HIGH OUTDOOR TEMPERATURE CAN BE DONE THROUGH ROUTER/INTERNET CONNECTION AND HOME APP OR WIRE C7089U1006 TO THE TWO "S" TERMINALS.
- 6 **DO NOT CONNECT ANY WIRE TO W FOR HEAT PUMP APPLICATIONS! THIS CAN CAUSE HEAT TO RUN CONTINUOUSLY.**
M36911B

ERV or HRV Whole House Ventilator with Built In Transformer



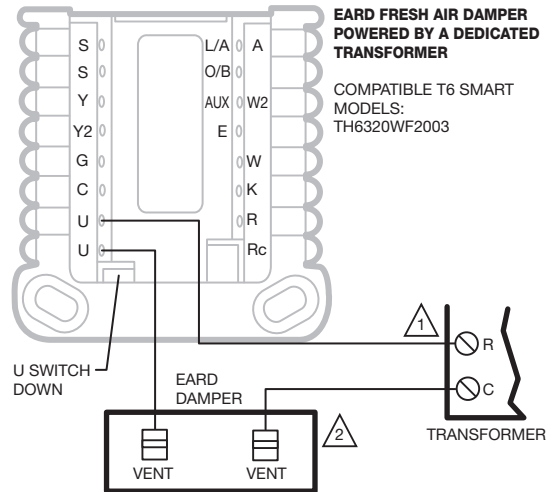
- 1 SEE DIAGRAMS ON PAGES 1-4 FOR HEAT/COOL SYSTEM WIRING.
- 2 TERMINAL LABELS VARY BY VENT MAKE/MODEL. ON THE TRUEFRESH VENTILATORS THEY ARE LABELED R AND G AS SHOWN.
M36912B

EARD Fresh Air Damper Powered by Furnace/Air-Handler Transformer



- 1 SEE DIAGRAMS ON PAGES 1-4 FOR HEAT/COOL SYSTEM WIRING.
- 2 EARD DAMPERS USE APPROX. 8 VA. FOLLOW DIAGRAM WITH SEPARATE TRANSFORMER IF FURNACE TRANSFORMER NOT SIZED TO HANDLE ADDITIONAL LOAD.
M36913B

EARD Fresh Air Damper Powered by a Dedicated Transformer



- 1 SEE DIAGRAMS ON PAGES 1-4 FOR HEAT/COOL SYSTEM WIRING.
- 2 EARD DAMPERS USE APPROX. 8 VA. SEE TRANSFORMER INSTRUCTIONS FOR WIRING PRIMARY WIRES TO UTILITY POWER.
M36914B



Resideo Technologies, Inc.
1985 Douglas Drive North, Golden Valley, MN 55422
1-800-468-1502
33-00324-04 M.S. Rev. 06-21 | Printed in United States

www.resideo.com