

# Haier

## Submittals

### Arctic Multi Series

Rev. Nov. 2023



#### Outdoor

2U20EH2VHA  
3U24EH2VHA  
4U36EH2VHA  
2U20EH2HDA  
3U24EH2HDA  
4U36EH2HDA

#### Indoor

AW07LC2VHB  
AW09LC2VHB  
AW12LC2VHB  
AW18LC2VHB  
AW24LP2VHA  
AW07TC2HDA  
AW09TC2HDA  
AW12TC2HDA  
AW18TC2HDA  
AW24TC2HDA  
AB09SC2VHA  
AB12SC2VHA  
AB18SC2VHA  
AL24LP2VHA  
AD07SL2VHB  
AD09SL2VHB  
AD12SL2VHB  
AD18SL2VHB  
AM24LP2VHA  
USYM09UCDSA  
USYM12UCDSA  
USYM18UCDSA  
USYM24UCDSA  
USYF09UCDWA  
USYF12UCDWA  
USYF18UCDWA



**GE APPLIANCES**  
a Haier company

For more information visit us:  
[www.Haierductless.com](http://www.Haierductless.com)  
[www.Haierductlesshelp.com](http://www.Haierductlesshelp.com)



### **Revision History**

**Rev. March 2019** - Submittal edition release.

**Rev. May 2019** - Addition of rated heating performance note; Accessories & electrical requirement update.

**Rev. Aug. 2019** - HSPF correction (2U20EH2VHA).

**Rev. Sept. 2019** - 3U24EH2VHA heating capacity data change.

**Rev. May 2020** - Updated to include 4U36EH2VHA, AW24LP2VHA, AL24LP2VHA, AM24LP2VHA, USYM Series, USYF Series.

**Rev. Aug 2020** - Correct vapor line size for USYM18UCDSA. Controller updates. Added matching tables.

**Rev. April 2022** - Addition of 2022 ID highwall models.

**Rev. Aug. 2022** - 3U OD diagram update, 18K ID vapor line correction. Controller updates.

**Rev. Feb. 2023** - 2U20EH2HDA, 3U24EH2HDA, 4U36EH2HDA models added. ID model updates.

**Rev. May 2023** - Note added: Cooling below 23°F (-5°C) requires wind baffle.

**Rev. July 2023** - 4U Matching table update.

**Rev. Nov. 2023** - Specification updates, corrections.

# Haier Matching Tables

2U20EH2HDA  
2U20EH2VHA

- No adapters required/shipped with 2U Models

Combinations		
	Port B	Port A
	Port Size: 1/4" x 3/8"	Port Size: 1/4" x 3/8"
Two Zone	7	7
	9	7
	9	9
	12	7
	12	9
	12	12

3U24EH2HDA (Ships with adapter E)  
3U24EH2VHA (Ships with adapter D)

- No adapters required for Ports B, A

Combinations					
	Port C		Port B	Port A	
	Port Size: MS: 1/4" x 3/8" EH: 1/4" x 1/2"	Required Adapter			
		MS	EH	Port Size: 1/4" x 3/8"	
Two Zone	7	-	E	7	-
	9	-	E	7	-
	9	-	E	9	-
	12	-	E	7	-
	12	-	E	9	-
	12	-	E	12	-
	18	D	-	7	-
	18	D	-	9	-
Three Zone	7	-	E	7	7
	9	-	E	7	7
	9	-	E	9	7
	12	-	E	7	7
	9	-	E	9	9
	12	-	E	9	7
	12	-	E	9	9
	12	-	E	12	7
	18	D	-	7	7
	12	-	E	12	9

4U36EH2HDA (Ships with adapter A, C, D, and E)  
4U36EH2VHA (Ships with adapter D and E)

- No adapters required for Ports B, A

Combinations							
	Port D		Port C		Port B	Port A	
	Port Size: 1/4" x 1/2"	Required Adapter*	Port Size: 1/4" x 3/8"	Required Adapter*	Port Size: 1/4" x 3/8"	Port Size: 1/4" x 3/8"	
Two Zone	18	-	9	-	-	-	
	18	-	12	-	-	-	
	24	A, C	7	-	-	-	
	24	A, C	9	-	-	-	
	24	A, C	12	-	-	-	
	18	-	18	D	-	-	
	18	-	24	A, B D	-	-	
	24	A, C	24	A, B D	-	-	
	Three Zone	9	E	9	-	9	-
		12	E	9	-	7	-
12		E	9	-	9	-	
12		E	12	-	7	-	
18		-	7	-	7	-	
12		E	12	-	9	-	
18		-	9	-	7	-	
18		-	9	-	9	-	
12		E	12	-	12	-	
18		-	12	-	12	-	
18		-	12	-	7	-	
24		A, C	7	-	7	-	
24		A, C	9	-	9	-	
24		A, C	9	-	7	-	
18		-	12	-	9	-	
24		A, C	12	-	12	-	
24		A, C	12	-	7	-	
24		A, C	12	-	9	-	
18		-	18	D	12	-	
Four Zone		7	E	7	-	7	7
	9	E	7	-	7	7	
	9	E	9	-	7	7	
	12	E	7	-	7	7	
	9	E	9	-	9	7	
	12	E	9	-	9	7	
	12	E	12	-	7	7	
	12	E	9	-	9	9	
	18	-	7	-	7	7	
	12	E	12	-	9	7	
	18	-	9	-	7	7	
	12	E	12	-	9	9	
	12	E	12	-	12	7	
	18	-	9	-	9	7	
	18	-	12	-	7	7	
	24	A, C	7	-	7	7	
	12	E	12	-	12	9	
	24	A, C	9	-	7	7	
	12	E	12	-	12	12	
	18	-	12	-	9	9	

## Adapters

		GEA Part #
A	1/4" to 3/8" (Liquid line for ports C & D)	WJ01X23925
B	3/8" to 5/8" (Vapor line for port C)	WJ01X23924
C	1/2" to 5/8" (Vapor line for port D)	WJ01X23932
D	3/8" to 1/2" (Vapor line for port C)	WJ01X26853
E	1/2" to 3/8" (Vapor line for port C or D)	WJ01X26854

\* All 18K models require 1/4" liquid and 1/2" vapor linesets.  
24K Model adapters vary. See color code:

Applies to the following models with 3/8" and 5/8" port:  
AW24LP2VHA, USYM24UCDSA, USYL24UCDSA, AL24LP2VHA

Applies to the following model with 1/4" and 1/2" port:  
AW24TC2HDA

# Haier Arctic Multi Series Submittal

20000 BTU/HR INVERTER DRIVEN MULTI-ZONE HEAT PUMP SYSTEM

## 2U20EH2VHA

Job Name: \_\_\_\_\_

Purchaser: \_\_\_\_\_

Submitted To: \_\_\_\_\_

Construction: \_\_\_\_\_

Reference: \_\_\_\_\_

Approval: \_\_\_\_\_

Date: \_\_\_\_\_

Submitted By: \_\_\_\_\_

Unit: \_\_\_\_\_

Drawing #: \_\_\_\_\_



### Accessories

#### Wind Baffle

Uses wind baffle UAWB46A

#### Snow Hood

Uses snow hood UAWB80A

### Electrical Requirement

Power Supply	208/230V, 1 Phase, 60 HZ
Operating Voltage Range	187~253 VAC
Recommended Fuse/Breaker Size	25A
MCA	15A

Connecting cable to indoor units must be 14/4 AWG unshielded stranded copper. Cable must be ran continuous, without splicing.

### Operating Range

Cooling	14~115°F (-10~46°C)
Heating	-15~75°F (-26~24°C)

Rated heating performance down to -15°F and continuous operation at -22°F. Cooling below 23°F (-5°C) requires wind baffle.

### Cooling Performance

Cooling Capacity Range (Non-Ducted/Ducted)	7,000~20,000 BTU/ 7,000~19,000 BTU
Rated Power Input (Non-Ducted/Ducted)	1,448/1,481 W
SEER (Non-Ducted/Ducted)	17.0/15.0
EER (Non-Ducted/Ducted)	12.5/10.8

### Heating Performance

Heating Capacity Range (Non-Ducted/Ducted)	8,000~23,000 BTU/ 8,000~21,000 BTU
HSPF (Non-Ducted/Ducted)	10.5/9.6

### Pipe Length

Minimum Pipe Length (Each)	6 ft
Maximum Pipe Length (Each/All)	82 ft / 164 ft
Pre-Charged	100 ft
Additional Charge	0.2 oz/ft
Maximum Pipe Height Difference	50 ft
Flare Connections	Liquid: 1/4", 1/4" Vapor: 3/8", 3/8"

### Outdoor Unit

Compressor	DC inverter Driven Rotary
Uncrated Dimension (HxWxD)	33 1/8 x 37 3/84 x 13 1/2 in (840 x 948 x 340 mm)
Crated (HxWxD)	41 1/4 x 41 3/4 x 16 1/2 in (1050 x 1060 x 420 mm)
Outdoor Sound Rating dB	56
Heat Exchanger Fin Type	Blue Fin
Weight (Ship/Net)	202.3/185.6 lbs
Factory Refrigerant Charge	R-410A (99.0 oz)



For more information visit us:  
www.Haierductless.com  
www.Haierductlesshelp.com





20000 BTU/HR INVERTER DRIVEN MULTI-ZONE HEAT PUMP SYSTEM

## 2U20EH2VHA

### Heating Capacity Data - Non Ducted

Outdoor Air Temp DB	Indoor Set Temperature					
	60°F (16°C)		70°F (21°C)		77°F (25°C)	
	Maximum Heating Capacity (Btu/h)	Power Usage (w)	Max Heating Capacity (Btu/h)	Power Usage (w)	Max Heating Capacity (Btu/h)	Power Usage (w)
-15°F (-26°C)	19,320	2,920	17,250	3,190	16,200	3,330
-4°F (-20°C)	23,150	3,010	20,060	3,290	16,700	3,420
5°F (-15°C)	25,600	3,110	23,500	3,350	21,200	3,670
17°F (-8°C)	27,100	3,120	25,360	3,560	22,650	3,730
47°F (8°C)	29,470	3,350	27,890	3,780	25,170	4,030

### Heating Capacity Data - Ducted

Outdoor Air Temp DB	Indoor Set Temperature					
	60°F (16°C)		70°F (21°C)		77°F (25°C)	
	Maximum Heating Capacity (Btu/h)	Power Usage (w)	Max Heating Capacity (Btu/h)	Power Usage (w)	Max Heating Capacity (Btu/h)	Power Usage (w)
-15°F (-26°C)	17,880	3,160	16,310	3,220	15,260	3,280
-4°F (-20°C)	19,930	3,260	18,690	3,310	15,830	3,320
5°F (-15°C)	21,850	3,320	21,000	3,380	19,210	3,710
17°F (-8°C)	25,310	3,560	24,340	3,610	21,030	3,760
47°F (8°C)	26,860	3,680	25,890	3,820	23,460	4,130

### Cooling Capacity Data - Non Ducted

Outdoor Air Temp DB	Indoor Set Temperature					
	70°F (21°C)		75°F (24°C)		80°F (27°C)	
	Total Capacity (Btu/h)	Power Usage (w)	Total Capacity (Btu/h)	Power Usage (w)	Total Capacity (Btu/h)	Power Usage (w)
14°F (-10°C)	7,560	720	9,160	810	10,320	890
65°F (18°C)	17,840	980	19,560	1,040	20,520	1,070
75°F (24°C)	16,630	990	19,010	1,110	20,030	1,150
85°F (29°C)	15,260	1,020	18,690	1,230	19,670	1,290
95°F (35°C)	15,091	1,260	18,230	1,430	19,020	1,466
105°F (41°C)	14,860	1,390	16,510	1,490	17,830	1,590
115°F (46°C)	11,580	1,250	14,870	1,540	15,856	1,620

### Cooling Capacity Data - Ducted

Outdoor Air Temp DB	Indoor Set Temperature					
	70°F (21°C)		75°F (24°C)		80°F (27°C)	
	Total Capacity (Btu/h)	Power Usage (w)	Total Capacity (Btu/h)	Power Usage (w)	Total Capacity (Btu/h)	Power Usage (w)
14°F (-10°C)	6,370	750	7,020	810	7,500	830
65°F (18°C)	16,210	1,350	19,120	1,550	20,130	1,580
75°F (24°C)	15,100	1,620	18,760	1,690	19,940	1,720
85°F (29°C)	14,950	1,660	17,800	1,780	19,150	1,810
95°F (35°C)	14,680	1,630	16,420	1,790	18,780	1,860
105°F (41°C)	13,360	1,730	15,690	1,870	17,490	2,040
115°F (46°C)	10,200	1,450	13,860	1,810	15,700	2,190

- Capacity output and power usage are measured approximately at 50% indoor RH.
  - Capacities are obtained at standard piping length of each outdoor model
- Specifications are subject to change without notice. © 2023 GE Appliances, a Haier Company All rights reserved

# Haier Arctic Multi Series Submittal

24000 BTU/HR INVERTER DRIVEN MULTI-ZONE HEAT PUMP SYSTEM

## 3U24EH2VHA

Job Name: \_\_\_\_\_

Purchaser: \_\_\_\_\_

Submitted To: \_\_\_\_\_

Construction: \_\_\_\_\_

Reference: \_\_\_\_\_

Approval: \_\_\_\_\_

Date: \_\_\_\_\_

Submitted By: \_\_\_\_\_

Unit: \_\_\_\_\_

Drawing #: \_\_\_\_\_



### Accessories

#### Wind Baffle

Uses wind baffle UAWB46A

#### Snow Hood

Uses snow hood UAWB80A

Cooling Performance	
Cooling Capacity Range (Non-Ducted/Ducted)	6,000~23,600 BTU/ 6,000~22,300 BTU
Rated Power Input (Non-Ducted/Ducted)	1,760/1,786 W
SEER (Non-Ducted/Ducted)	18.5/15
EER (Non-Ducted/Ducted)	12.5/11.2

Heating Performance	
Heating Capacity Range (Non-Ducted/Ducted)	8,000~30,600 BTU/ 8,000~28,600 BTU
HSPF (Non-Ducted/Ducted)	10.5/9.3

Pipe Length	
Minimum Pipe Length (Each)	6 ft
Maximum Pipe Length (Each/All)	82 ft /197 ft
Pre-Charged	100 ft
Additional Charge	0.2 oz/ft
Maximum Pipe Height Difference	50 ft
Flare Connections	Liquid: 1/4", 1/4", 1/4" Vapor: 3/8", 3/8", 1/2"

Electrical Requirement	
Power Supply	208/230V, 1 Phase, 60 HZ
Operating Voltage Range	187~253 VAC
Recommended Fuse/Breaker Size	25A
MCA	16A

Connecting cable to indoor units must be 14/4 AWG unshielded stranded copper. Cable must be ran continuous, without splicing.

Operating Range	
Cooling	14~115°F (-10~46°C)
Heating	-15~75°F (-26~24°C)

Rated heating performance down to -15°F and continuous operation at -22°F. Cooling below 23°F (-5°C) requires wind baffle.

Outdoor Unit	
Compressor	DC inverter Driven Rotary
Uncrated Dimension (HxWxD)	33 1/8 x 37 3/84 x 13 1/2 in (840 x 948 x 340 mm)
Crated (HxWxD)	41 1/4 x 41 3/4 x 16 1/2 in (1050 x 1060 x 420 mm)
Outdoor Sound Rating dB	56
Heat Exchanger Fin Type	Blue Fin
Weight (Ship/Net)	205.9/189.5 lbs
Factory Refrigerant Charge	R-410A (99.0 oz)

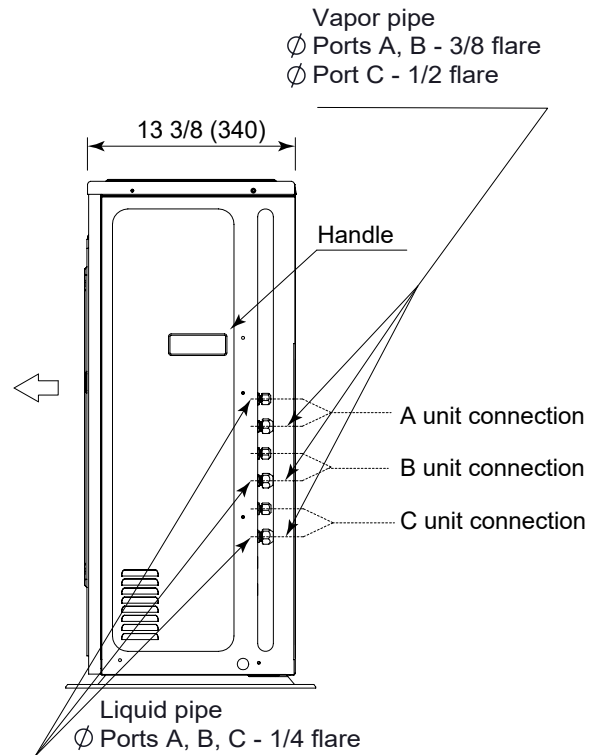
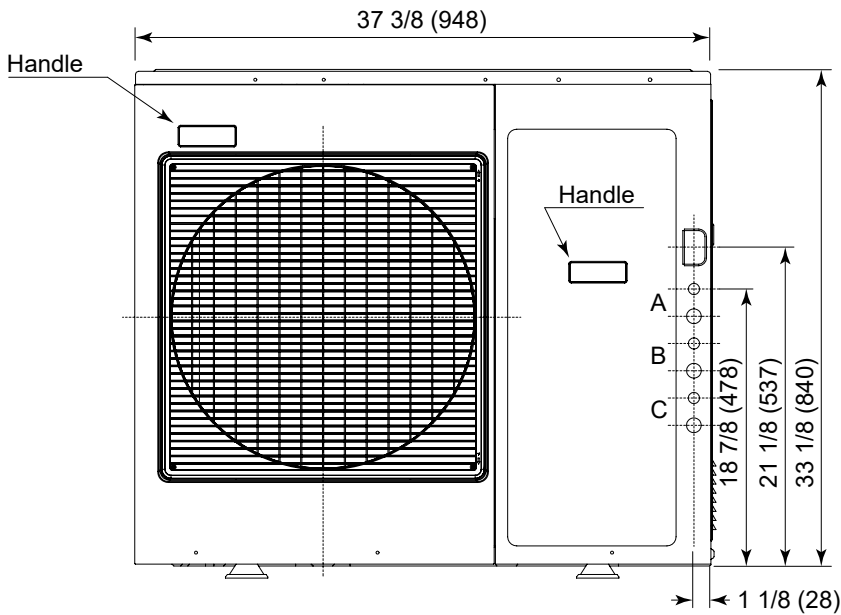
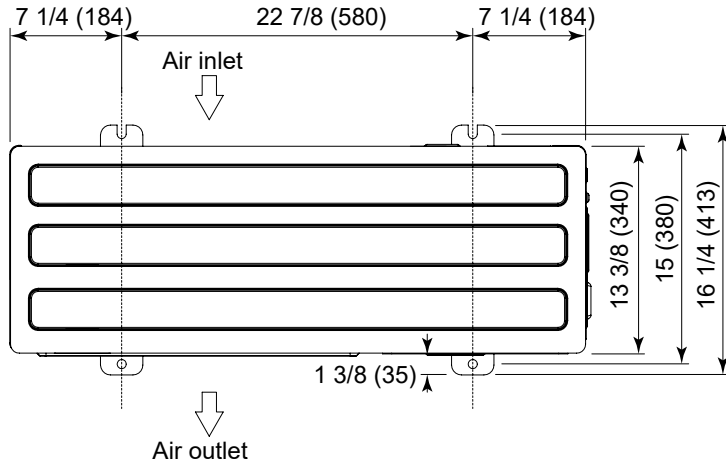


For more information visit us:  
www.Haierductless.com  
www.Haierductlesshelp.com



24000 BTU/HR INVERTER DRIVEN MULTI-ZONE HEAT PUMP SYSTEM

## 3U24EH2VHA





## 3U24EH2VHA

### Heating Capacity Data - Non Ducted

Outdoor Air Temp DB	Indoor Set Temperature					
	60°F (16°C)		70°F (21°C)		77°F (25°C)	
	Maximum Heating Capacity (Btu/h)	Power Usage (w)	Max Heating Capacity (Btu/h)	Power Usage (w)	Max Heating Capacity (Btu/h)	Power Usage (w)
-15°F (-26°C)	18,120	2,960	18,000	3,090	16,580	3,220
-4°F (-20°C)	19,930	3,060	19,430	3,250	17,330	3,360
5°F (-15°C)	24,860	3,290	24,120	3,510	21,870	3,620
17°F (-8°C)	28,210	3,390	27,220	3,810	25,500	3,920
47°F (8°C)	31,230	3,720	29,600	4,030	27,850	4,120

### Heating Capacity Data - Ducted

Outdoor Air Temp DB	Indoor Set Temperature					
	60°F (16°C)		70°F (21°C)		77°F (25°C)	
	Maximum Heating Capacity (Btu/h)	Power Usage (w)	Max Heating Capacity (Btu/h)	Power Usage (w)	Max Heating Capacity (Btu/h)	Power Usage (w)
-15°F (-26°C)	18,000	3,480	17,100	3,360	16,100	3,530
-4°F (-20°C)	19,820	3,510	19,200	3,560	17,200	3,610
5°F (-15°C)	22,860	3,440	23,240	3,540	21,160	3,730
17°F (-8°C)	27,140	3,470	26,410	3,620	24,170	3,810
47°F (8°C)	29,130	3,550	28,820	3,780	27,660	3,920

### Cooling Capacity Data - Non Ducted

Outdoor Air Temp DB	Indoor Set Temperature					
	70°F (21°C)		75°F (24°C)		80°F (27°C)	
	Total Capacity (Btu/h)	Power Usage (w)	Total Capacity (Btu/h)	Power Usage (w)	Total Capacity (Btu/h)	Power Usage (w)
14°F (-10°C)	13,210	1,080	14,010	1,120	15,330	1,190
65°F (18°C)	24,860	1,560	25,940	1,610	27,480	1,690
75°F (24°C)	23,560	1,680	24,860	1,710	26,190	1,780
85°F (29°C)	23,350	1,710	24,560	1,790	25,430	1,840
95°F (35°C)	22,860	1,860	23,360	1,880	24,320	1,910
105°F (41°C)	21,320	2,060	22,720	2,160	23,560	2,190
115°F (46°C)	16,960	2,120	18,160	2,190	18,680	2,230

### Cooling Capacity Data - Ducted

Outdoor Air Temp DB	Indoor Set Temperature					
	70°F (21°C)		75°F (24°C)		80°F (27°C)	
	Total Capacity (Btu/h)	Power Usage (w)	Total Capacity (Btu/h)	Power Usage (w)	Total Capacity (Btu/h)	Power Usage (w)
14°F (-10°C)	12,320	1,150	13,120	1,180	14,680	1,220
65°F (18°C)	24,300	1,610	25,010	1,650	26,560	1,720
75°F (24°C)	23,130	1,710	24,140	1,760	25,310	1,830
85°F (29°C)	23,310	1,880	24,110	1,920	24,900	1,960
95°F (35°C)	22,360	1,990	23,060	2,050	24,130	2,070
105°F (41°C)	21,230	2,220	22,170	2,280	22,690	2,310
115°F (46°C)	16,830	2,230	17,850	2,320	18,560	2,400

- Capacity output and power usage are measured approximately at 50% indoor RH.
  - Capacities are obtained at standard piping length of each outdoor model
- Specifications are subject to change without notice. © 2023 GE Appliances, a Haier Company All rights reserved

# Haier Arctic Multi Series Submittal

36000 BTU/HR INVERTER DRIVEN MULTI-ZONE HEAT PUMP SYSTEM

## 4U36EH2VHA

Job Name: \_\_\_\_\_

Purchaser: \_\_\_\_\_

Submitted To: \_\_\_\_\_

Construction: \_\_\_\_\_

Reference: \_\_\_\_\_

Approval: \_\_\_\_\_

Date: \_\_\_\_\_

Submitted By: \_\_\_\_\_

Unit: \_\_\_\_\_

Drawing #: \_\_\_\_\_



### Accessories

#### Wind Baffle

Uses wind baffle UAWB46A

#### Snow Hood

Uses snow hood UAWB80A

### Electrical Requirement

Power Supply	208/230V, 1 Phase, 60 HZ
Operating Voltage Range	187~253 VAC
Recommended Fuse/Breaker Size	40A
MCA	30A

Connecting cable to indoor units must be 14/4 AWG unshielded stranded copper. Cable must be ran continuous, without splicing.

### Operating Range

Cooling	23~115°F (-5~46°C)
Heating	-15~77°F (-26~25°C)

Rated heating performance down to -15°F and continuous operation at -22°F. Cooling below 23°F (-5°C) requires wind baffle.

### Cooling Performance

Cooling Capacity Range (Non-Ducted/Ducted)	5,000~34,000 BTU/ 5,000~34,400 BTU
Rated Power Input (Non-Ducted/Ducted)	2,720/3,440 W
SEER (Non-Ducted/Ducted)	20.0/17
EER (Non-Ducted/Ducted)	12.5/10.0

### Heating Performance

Heating Capacity Range (Non-Ducted/Ducted)	6,100~36,000 BTU/ 6,100~35,000 BTU
HSPF (Non-Ducted/Ducted)	10.5/10.5

### Pipe Length

Minimum Pipe Length (Each)	6 ft
Maximum Pipe Length (Each/All)	82 ft /230 ft
Pre-Charged	131 ft
Additional Charge	0.2 oz/ft
Maximum Pipe Height Difference	50 ft
Flare Connections	Liquid: 1/4", 1/4", 1/4", 1/4" Vapor: 3/8", 3/8", 3/8", 1/2"

### Outdoor Unit

Compressor	DC inverter Driven Rotary
Uncrated Dimension (HxWxD)	38 x 37 1/2 x 14 5/8 in (965 x 950 x 370 mm)
Crated (HxWxD)	46 1/8 x 41 3/8 x 19 1/8 in (1170 x (1050 x 485 mm)
Outdoor Sound Rating dB	59
Heat Exchanger Fin Type	Blue Fin
Weight (Ship/Net)	215/198.4 lbs
Factory Refrigerant Charge	R-410A (113 oz)

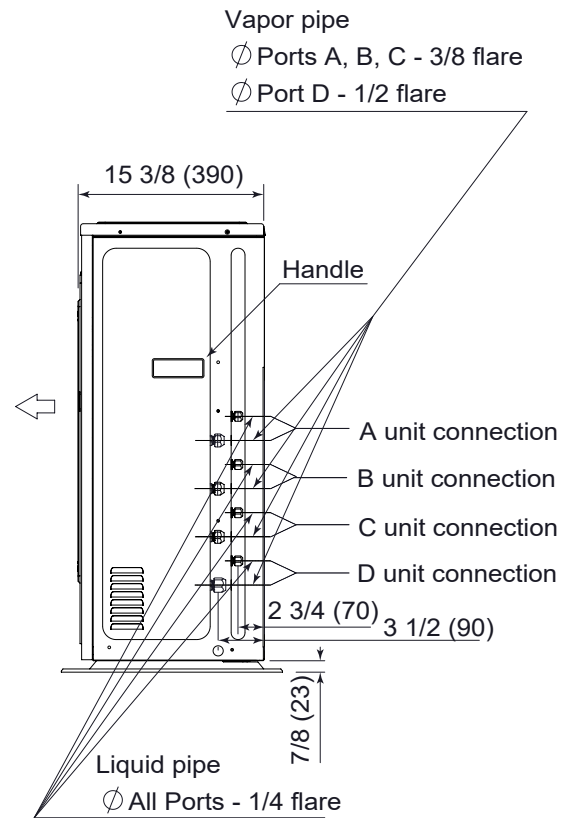
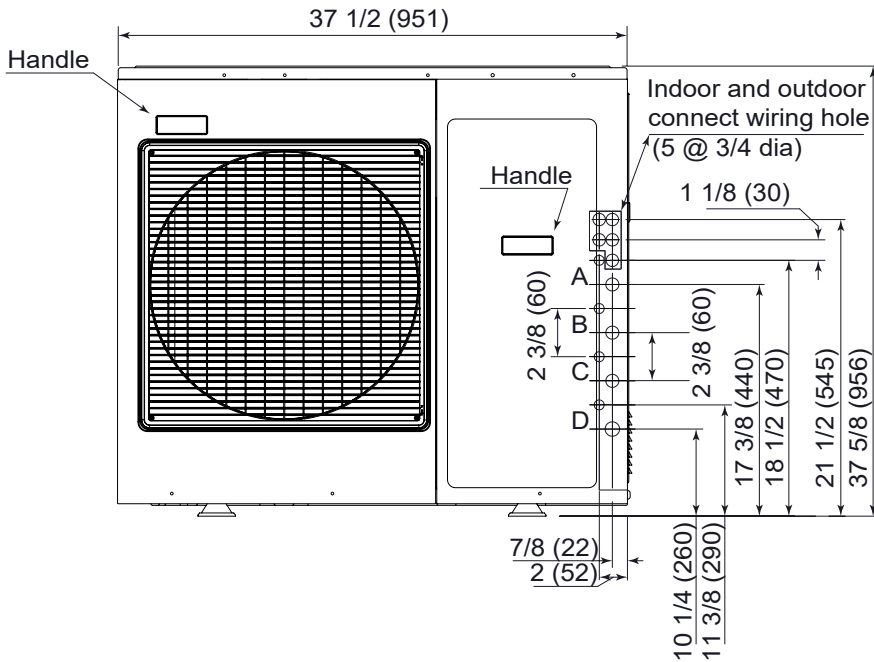
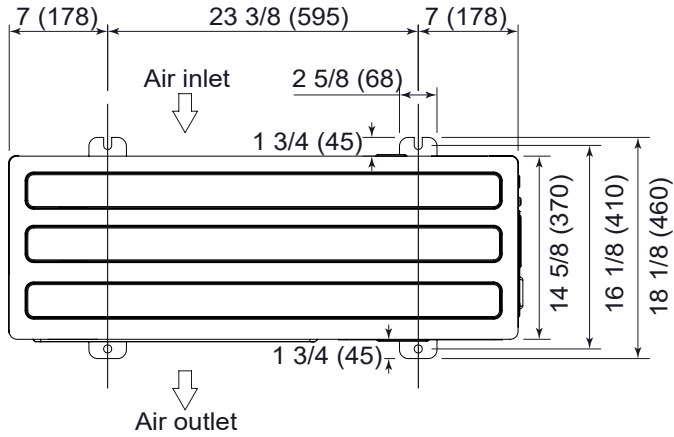


For more information visit us:  
www.Haierductless.com  
www.Haierductlesshelp.com



36000 BTU/HR INVERTER DRIVEN MULTI-ZONE HEAT PUMP SYSTEM

## 4U36EH2VHA



## 4U36EH2VHA

### Heating Capacity Data - Non Ducted

Outdoor Air Temp DB	Indoor Set Temperature					
	60°F (16°C)		70°F (21°C)		77°F (25°C)	
	Maximum Heating Capacity (Btu/h)	Power Usage (w)	Max Heating Capacity (Btu/h)	Power Usage (w)	Max Heating Capacity (Btu/h)	Power Usage (w)
-15°F (-26°C)	25,900	4,960	25,700	5,010	25,000	5,020
-4°F (-20°C)	30,100	4,970	29,800	5,040	28,200	5,060
5°F (-15°C)	36,200	4,980	36,000	5,270	35,100	5,300
17°F (-8°C)	38,500	3,940	37,000	3,950	36,500	4,200
47°F (8°C)	38,900	3,100	38,000	3,190	37,800	3,200

### Heating Capacity Data - Ducted

Outdoor Air Temp DB	Indoor Set Temperature					
	60°F (16°C)		70°F (21°C)		77°F (25°C)	
	Maximum Heating Capacity (Btu/h)	Power Usage (w)	Max Heating Capacity (Btu/h)	Power Usage (w)	Max Heating Capacity (Btu/h)	Power Usage (w)
-15°F (-26°C)	25,500	5,100	25,000	5,200	24,500	5,430
-4°F (-20°C)	29,700	5,200	29,000	5,400	28,100	5,490
5°F (-15°C)	35,800	5,300	35,000	5,480	34,600	5,560
17°F (-8°C)	36,600	4,010	36,000	4,030	35,700	4,760
47°F (8°C)	36,300	3,310	37,000	3,180	35,900	3,760

### Cooling Capacity Data - Non Ducted

Outdoor Air Temp DB	Indoor Set Temperature					
	70°F (21°C)		75°F (24°C)		80°F (27°C)	
	Total Capacity (Btu/h)	Power Usage (w)	Total Capacity (Btu/h)	Power Usage (w)	Total Capacity (Btu/h)	Power Usage (w)
14°F (-10°C)	23,300	1,900	24,070	1,920	25,330	1,960
65°F (18°C)	34,780	2,180	35,980	2,230	37,340	2,290
75°F (24°C)	33,560	2,390	34,870	2,410	36,120	2,450
85°F (29°C)	33,380	2,440	34,650	2,520	35,300	2,550
95°F (35°C)	35,500	2,950	35,600	2,970	35,700	2,980
105°F (41°C)	31,210	3,010	32,600	3,020	33,650	3,120
115°F (46°C)	26,980	3,370	28,230	3,400	29,700	3,500

### Cooling Capacity Data - Ducted

Outdoor Air Temp DB	Indoor Set Temperature					
	70°F (21°C)		75°F (24°C)		80°F (27°C)	
	Total Capacity (Btu/h)	Power Usage (w)	Total Capacity (Btu/h)	Power Usage (w)	Total Capacity (Btu/h)	Power Usage (w)
14°F (-10°C)	23,500	2,320	24,980	2,320	25,440	2,360
65°F (18°C)	35,980	2,460	36,200	2,630	37,420	2,690
75°F (24°C)	33,960	2,790	34,980	2,830	36,200	2,950
85°F (29°C)	33,780	2,850	34,780	2,930	35,400	2,950
95°F (35°C)	35,900	3,320	35,700	3,340	34,200	3,420
105°F (41°C)	31,600	3,420	32,800	3,430	33,700	3,520
115°F (46°C)	27,420	3,770	28,920	3,820	29,900	3,900

- Capacity output and power usage are measured approximately at 50% indoor RH.
  - Capacities are obtained at standard piping length of each outdoor model
- Specifications are subject to change without notice. © 2023 GE Appliances, a Haier Company All rights reserved

# Haier Arctic Multi Series Submittal

20000 BTU/HR INVERTER DRIVEN MULTI-ZONE HEAT PUMP SYSTEM

## 2U20EH2HDA

Job Name: \_\_\_\_\_

Purchaser: \_\_\_\_\_

Submitted To: \_\_\_\_\_

Construction: \_\_\_\_\_

Reference: \_\_\_\_\_

Approval: \_\_\_\_\_

Date: \_\_\_\_\_

Submitted By: \_\_\_\_\_

Unit: \_\_\_\_\_

Drawing #: \_\_\_\_\_



### Accessories

#### Wind Baffle

Uses wind baffle UAWB46A

#### Snow Hood

Uses snow hood UAWB80A

### Electrical Requirement

Power Supply	208/230V, 1 Phase, 60 HZ
Operating Voltage Range	187~253 VAC
Recommended Fuse/Breaker Size	25A
MCA	20A

Connecting cable to indoor units must be 14/4 AWG unshielded stranded copper. Cable must be ran continuous, without splicing.

### Operating Range

Cooling	14~115°F (-10~46°C)
Heating	-15~75°F (-26~24°C)

Rated heating performance down to -15°F and continuous operation at -22°F. Cooling below 23°F (-5°C) requires wind baffle.

### Cooling Performance

Cooling Capacity Range (Non-Ducted/Ducted)	6,000-21,000 BTU/ 6,000-20,000 BTU
Rated Power Input (Non-Ducted/Ducted)	1,500/1,545 W
SEER2 (Non-Ducted/Ducted)	18.0/16.0
EER2 (Non-Ducted/Ducted)	12.0/11.0

### Heating Performance

Heating Capacity Range (Non-Ducted/Ducted)	5,000-23,000 BTU/ 5,000-23,000 BTU
HSPF2 (IV) (Non-Ducted/Ducted)	10.2/9.8
HSPF2 (V) (Non-Ducted/Ducted)	8.3/8.0

### Pipe Length

Minimum Pipe Length (Each)	10 ft
Maximum Pipe Length (Each/All)	82 ft / 164 ft
Pre-Charged	66 ft
Additional Charge	0.2 oz/ft
Maximum Pipe Height Difference	50 ft
Flare Connections	Liquid: 1/4", 1/4" Vapor: 3/8", 3/8"

### Outdoor Unit

Compressor	DC inverter Driven Rotary
Uncrated Dimension (HxWxD)	33 1/8 x 37 3/84 x 13 1/2 in (840 x 948 x 340 mm)
Crated (HxWxD)	41 1/4 x 41 3/4 x 16 1/2 in (1050 x 1060 x 420 mm)
Outdoor Sound Rating dB	58
Heat Exchanger Fin Type	Blue Fin
Weight (Ship/Net)	191.6/157.9 lbs
Factory Refrigerant Charge	R-410A (69.0 oz)

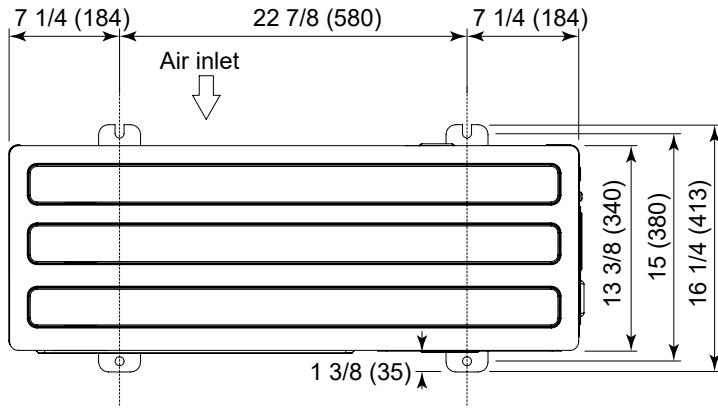


For more information visit us:  
www.Haierductless.com  
www.Haierductlesshelp.com

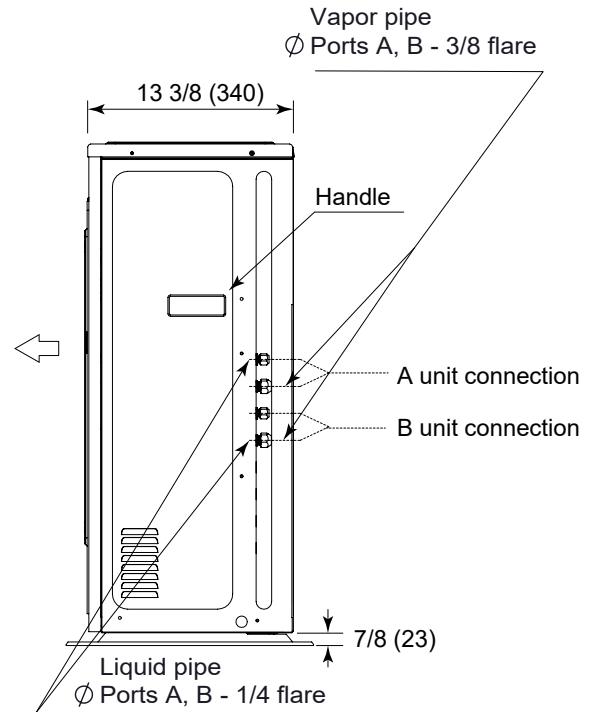
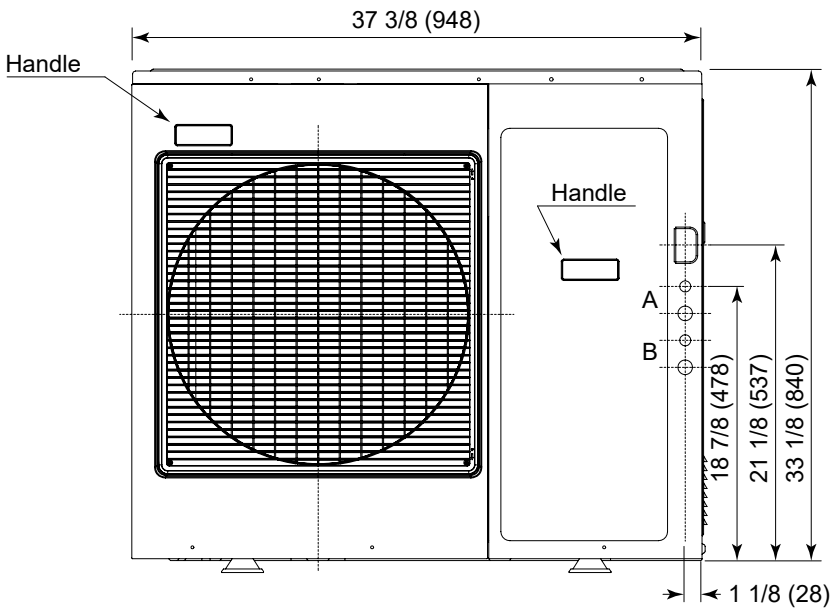


20000 BTU/HR INVERTER DRIVEN MULTI-ZONE HEAT PUMP SYSTEM

## 2U20EH2HDA



Air outlet



## 20000 BTU/HR INVERTER DRIVEN MULTI-ZONE HEAT PUMP SYSTEM

### 2U20EH2HDA

#### Heating Capacity Data - Non Ducted

TC: Total Capacity, PI: Power Input

Outdoor Air Temp DB	Indoor Temperature (°F, DB)																				
	60			64			68			70			72			75			79		
	TC (Btu/h)	PI (W)	COP	TC (Btu/h)	PI (W)	COP	TC (Btu/h)	PI (W)	COP	TC (Btu/h)	PI (W)	COP	TC (Btu/h)	PI (W)	COP	TC (Btu/h)	PI (W)	COP	TC (Btu/h)	PI (W)	COP
-15°F(-26°C)	18,309	2,874	1.86	18,127	2,903	1.83	17,772	2,947	1.76	17,424	3,038	1.68	17,075	3,079	1.62	16,734	3,125	1.56	16,231	3,156	1.50
-5°F(-21°C)	19,973	3,044	1.92	19,775	3,075	1.88	19,388	3,122	1.81	19,008	3,186	1.74	18,627	3,217	1.69	18,255	3,250	1.64	17,707	3,321	1.56
0°F(-18°C)	20,943	3,102	1.97	20,736	3,123	1.94	20,531	3,180	1.89	20,328	3,245	1.83	19,921	3,293	1.77	19,523	3,353	1.70	18,937	3,428	1.61
5°F(-15°C)	21,410	2,805	2.23	21,303	2,885	2.16	21,197	2,908	2.13	20,988	2,926	2.10	20,358	2,984	1.99	19,951	3,032	1.92	19,153	3,109	1.80
14°F(-10°C)	23,201	2,960	2.29	23,088	3,008	2.24	22,137	3,042	2.13	22,968	3,127	2.15	22,508	3,192	2.06	22,155	3,264	1.98	21,712	3,389	1.87
23°F(-5°C)	24,503	3,168	2.26	25,002	3,126	2.34	24,890	3,062	2.38	24,816	3,274	2.22	24,707	3,341	2.16	24,508	3,422	2.09	24,130	3,494	2.02
32°F(0°C)	25,202	2,657	2.77	24,936	2,696	2.71	24,740	2,785	2.60	24,552	2,832	2.54	24,310	2,870	2.48	23,836	2,996	2.33	22,111	2,981	2.17
41°F(5°C)	26,403	2,659	2.90	25,997	2,737	2.78	26,065	2,863	2.66	25,608	2,891	2.59	25,523	2,942	2.54	24,757	2,986	2.42	22,725	2,735	2.43
47°F(8°C)	27,369	2,744	2.92	27,087	2,804	2.83	26,531	2,899	2.68	26,400	2,950	2.62	25,872	3,038	2.49	25,354	3,129	2.37	25,101	3,254	2.26
55°F(13°C)	29,183	2,838	3.01	28,833	2,949	2.86	27,585	2,855	2.83	26,718	2,779	2.81	26,184	2,835	2.70	24,613	2,556	2.82	23,628	2,309	2.99
65°F(18°C)	28,027	2,513	3.26	27,703	2,626	3.09	27,153	2,718	2.92	25,081	2,507	2.93	25,028	2,557	2.86	23,526	2,455	2.80	22,585	2,454	2.69
75°F(24°C)	24,957	1,988	3.67	24,488	2,072	3.46	24,012	2,160	3.25	23,830	2,212	3.15	23,353	2,256	3.03	22,886	2,329	2.87	22,428	2,353	2.79

#### Heating Capacity Data - Ducted

TC: Total Capacity, PI: Power Input

Outdoor Air Temp DB	Indoor Temperature (°F, DB)																				
	60			64			68			70			72			75			79		
	TC (Btu/h)	PI (W)	COP	TC (Btu/h)	PI (W)	COP	TC (Btu/h)	PI (W)	COP	TC (Btu/h)	PI (W)	COP	TC (Btu/h)	PI (W)	COP	TC (Btu/h)	PI (W)	COP	TC (Btu/h)	PI (W)	COP
-15°F(-26°C)	18,004	2,932	1.79	17,825	2,962	1.76	17,476	3,007	1.70	17,133	3,100	1.61	16,790	3,141	1.56	16,455	3,173	1.51	15,961	3,192	1.46
-5°F(-21°C)	19,640	3,106	1.85	19,446	3,137	1.81	19,065	3,185	1.75	18,691	3,250	1.68	18,317	3,283	1.63	17,951	3,316	1.58	17,412	3,388	1.50
0°F(-18°C)	20,594	3,165	1.90	20,390	3,186	1.87	20,189	3,244	1.82	19,989	3,311	1.76	19,589	3,360	1.70	19,197	3,422	1.64	18,621	3,498	1.55
5°F(-15°C)	21,053	2,972	2.07	20,948	3,057	2.00	20,844	3,080	1.98	20,638	3,100	1.95	20,019	3,162	1.85	19,618	3,212	1.78	18,833	3,293	1.67
14°F(-10°C)	22,815	3,049	2.19	22,703	3,098	2.14	21,768	3,133	2.03	22,585	3,220	2.05	22,133	3,287	1.97	21,785	3,362	1.89	21,350	3,490	1.79
23°F(-5°C)	24,094	3,232	2.18	24,585	3,190	2.25	24,476	3,124	2.29	24,402	3,341	2.14	24,295	3,409	2.08	24,099	3,492	2.02	23,727	3,565	1.95
32°F(0°C)	24,782	2,712	2.67	24,521	2,751	2.61	24,328	2,842	2.50	24,142	2,889	2.44	23,905	2,928	2.39	23,439	3,057	2.24	21,742	3,042	2.09
41°F(5°C)	25,963	2,713	2.80	25,563	2,792	2.68	25,631	2,921	2.57	25,181	2,949	2.50	25,097	3,002	2.44	24,344	3,047	2.34	22,346	2,791	2.34
47°F(8°C)	26,913	2,800	2.81	26,636	2,861	2.72	26,089	2,958	2.58	25,960	3,010	2.52	25,440	3,100	2.40	24,931	3,193	2.28	24,682	3,321	2.17
55°F(13°C)	28,697	2,896	2.90	28,352	3,009	2.76	27,125	2,913	2.72	26,273	2,836	2.71	25,747	2,892	2.60	24,203	2,608	2.71	23,234	2,355	2.89
65°F(18°C)	27,560	2,564	3.14	27,241	2,679	2.97	26,700	2,774	2.82	24,663	2,558	2.82	24,611	2,609	2.76	23,134	2,505	2.70	22,209	2,504	2.59
75°F(24°C)	24,541	2,028	3.54	24,080	2,114	3.33	23,612	2,204	3.13	23,432	2,257	3.04	22,964	2,302	2.92	22,504	2,377	2.77	22,054	2,401	2.69

#### Cooling Capacity Data - Non Ducted

TC: Total Capacity, PI: Power Input

Outdoor Air Temp DB	Indoor Temperature (°F, DB/WB)																							
	64/53			68/57			72/61			77/64			80/67			82/70			86/72			90/75		
	TC (Btu/h)	PI (W)	EER	TC (Btu/h)	PI (W)	EER	TC (Btu/h)	PI (W)	EER	TC (Btu/h)	PI (W)	EER	TC (Btu/h)	PI (W)	EER	TC (Btu/h)	PI (W)	EER	TC (Btu/h)	PI (W)	EER	TC (Btu/h)	PI (W)	EER
14°F(-10°C)	10,058	593	16.94	11,071	659	16.78	12,874	798	16.12	14,629	833	17.54	15,784	925	17.05	17,617	939	18.75	18,918	948	19.93	20,242	977	20.71
32°F(0°C)	10,386	624	16.64	13,147	693	18.96	15,288	845	18.07	17,921	889	20.14	17,709	1,030	17.19	20,820	1,045	19.91	21,966	1,056	20.80	23,504	1,087	21.60
50°F(10°C)	11,480	654	17.53	14,531	718	20.21	15,770	869	18.14	19,018	917	20.73	19,730	1,119	17.62	21,120	1,136	18.58	22,786	1,147	19.85	24,291	1,182	20.54
68°F(20°C)	12,573	684	18.35	15,915	761	20.91	17,380	939	18.49	20,847	1,042	19.99	21,752	1,283	16.94	21,961	1,272	17.25	23,816	1,285	18.52	25,640	1,324	19.36
86°F(30°C)	11,808	715	16.50	14,946	794	18.80	17,058	1,057	16.13	19,329	1,278	15.11	20,327	1,418	14.33	20,900	1,363	15.32	22,660	1,377	16.45	24,066	1,418	16.96
95°F(35°C)	10,933	761	14.36	13,839	845	16.36	16,092	1,174	13.70	18,287	1,389	13.15	19,249	1,492	12.89	20,019	1,515	13.21	21,020	1,530	13.73	22,492	1,576	14.26
104°F(40°C)	10,386	859	12.07	13,147	870	15.09	15,288	1,327	11.51	17,281	1,556	11.10	18,672	1,582	11.79	19,018	1,712	11.10	20,621	1,729	11.92	22,064	1,765	12.49
110°F(43°C)	11,206	951	11.78	14,531	1,183	12.27	13,839	1,362	10.15	16,092	1,626	9.89	17,132	1,672	10.24	18,478	1,894	9.75	20,053	1,913	10.48	21,457	1,954	10.97
115°F(46°C)	11,425	1,103	10.35	13,009	1,073	12.11	13,228	1,468	9.01	15,086	1,695	8.89	16,708	1,787	9.34	17,977	2,091	8.59	19,423	2,127	9.13	20,782	2,159	9.62

#### Cooling Capacity Data - Ducted

TC: Total Capacity, PI: Power Input

Outdoor Air Temp DB	Indoor Temperature (°F, DB/WB)																							
	64/53			68/57			72/61			77/64			80/67			82/70			86/72			90/75		
	TC (Btu/h)	PI (W)	EER	TC (Btu/h)	PI (W)	EER	TC (Btu/h)	PI (W)	EER	TC (Btu/h)	PI (W)	EER	TC (Btu/h)	PI (W)	EER	TC (Btu/h)	PI (W)	EER	TC (Btu/h)	PI (W)	EER	TC (Btu/h)	PI (W)	EER
14°F(-10°C)	9,442	645	14.63	10,393	716	14.50	12,085	867	13.92	13,733	906	15.15	14,817	1,005	14.73	16,538	1,020	16.19	17,759	1,031	17.22	19,002	1,062	17.89
32°F(0°C)	9,750	678	14.37	12,342	753	16.38	14,351	918	15.61	16,823	966	17.40	18,883	1,119	16.87	19,545	1,136	17.20	20,620	1,147	17.97	22,064	1,181	18.66
50°F(10°C)	10,776	711	15.15	13,641	781	17.46	14,804	944	15.67	17,853	996	17.91	19,064	1,216	15.66	19,826	1,234	16.05	21,390	1,247	17.14	22,803	1,284	17.74
68°F(20°C)	11,803	744	15.85	14,940	826	18.06	16,315	1,020	15.98	19,570	1,132	17.27	20,238	1,395	14.50	20,616	1,383	14.90	22,357	1,396	16.00	24,070	1,438	16.72
86°F(30°C)	11,084	777	14.25	14,031	863	16.24	16,013	1,148	13.94	18,145	1,389	13.05	19,082	1,541	12.38	19,620	1,481	13.23	21,272	1,496	14.21	22,592	1,541	14.65
95°F(35°C)	10,263	826	12.41	12,991	918	14.13	15,106	1,276	11.83	17,166	1,510	11.36	18,070	1,622	11.13	18,793	1,646	11.41	19,732	1,663	11.86	21,114	1,712	12.32
104°F(40°C)	9,750	934	10.43	12,342	946	13.04	14,351	1,442	9.95	16,222	1,691	9.59	17,347	1,833	9.46	17,853	1,860	9.59	19,358	1,879	10.30	20,713	1,918	10.79
110°F(43°C)	10,520	1,033	10.17	13,641	1,286	10.60	12,991	1,480	8.77	15,106	1,767	8.54	17,076	2,027	8.42	17,346	2,058	8.42	18,825	2,078	9.05	20,143	2,124	9.48
115°F(46°C)	10,725	1,199	8.94	12,212	1,166	10.46	12,417	1,595	7.78	14,162	1,842	7.68	16,112	2,174	7.41	16,876	2,272	7.42	18,233	2,311	7.88	19,509	2,346	8.31

• Capacity output and power usage are measured approximately at 50% indoor RH.

• Capacities are obtained at standard piping length of each outdoor model

# Haier Arctic Multi Series Submittal

24000 BTU/HR INVERTER DRIVEN MULTI-ZONE HEAT PUMP SYSTEM

## 3U24EH2HDA

Job Name: \_\_\_\_\_

Purchaser: \_\_\_\_\_

Submitted To: \_\_\_\_\_

Construction: \_\_\_\_\_

Reference: \_\_\_\_\_

Approval: \_\_\_\_\_

Date: \_\_\_\_\_

Submitted By: \_\_\_\_\_

Unit: \_\_\_\_\_

Drawing #: \_\_\_\_\_



### Accessories

#### Wind Baffle

Uses wind baffle UAWB46A

#### Snow Hood

Uses snow hood UAWB80A

### Electrical Requirement

Power Supply	208/230V, 1 Phase, 60 HZ
Operating Voltage Range	187~253 VAC
Recommended Fuse/Breaker Size	30A
MCA	23A

Connecting cable to indoor units must be 14/4 AWG unshielded stranded copper. Cable must be ran continuous, without splicing.

### Operating Range

Cooling	14~115°F (-10~46°C)
Heating	-15~75°F (-26~24°C)

Rated heating performance down to -15°F and continuous operation at -22°F. Cooling below 23°F (-5°C) requires wind baffle.

### Cooling Performance

Cooling Capacity Range (Non-Ducted/Ducted)	9,000-25,000 BTU/ 9,000-24,000 BTU
Rated Power Input (Non-Ducted/Ducted)	1,830/1,945 W
SEER2 (Non-Ducted/Ducted)	19.5/17.0
EER2 (Non-Ducted/Ducted)	12.0/11.0

### Heating Performance

Heating Capacity Range (Non-Ducted/Ducted)	7,200-27,000 BTU/ 7,200-27,000 BTU
HSPF2 (IV) (Non-Ducted/Ducted)	10.2/9.5
HSPF2 (V) (Non-Ducted/Ducted)	8.0/7.8

### Pipe Length

Minimum Pipe Length (Each)	10 ft
Maximum Pipe Length (Each/All)	82 ft / 196 ft
Pre-Charged	100 ft
Additional Charge	0.2 oz/ft
Maximum Pipe Height Difference	50 ft
Flare Connections	Liquid: 1/4", 1/4", 1/4" Vapor: 3/8", 3/8", 1/2"

### Outdoor Unit

Compressor	DC inverter Driven Rotary
Uncrated Dimension (HxWxD)	33 1/8 x 37 3/84 x 13 1/2 in (840 x 948 x 340 mm)
Crated (HxWxD)	41 1/4 x 41 3/4 x 16 1/2 in (1050 x 1060 x 420 mm)
Outdoor Sound Rating dB	58
Heat Exchanger Fin Type	Blue Fin
Weight (Ship/Net)	193.6/159.9 lbs
Factory Refrigerant Charge	R-410A (82.0 oz)



GE APPLIANCES  
a Haier company

For more information visit us:  
[www.Haierductless.com](http://www.Haierductless.com)  
[www.Haierductlesshelp.com](http://www.Haierductlesshelp.com)

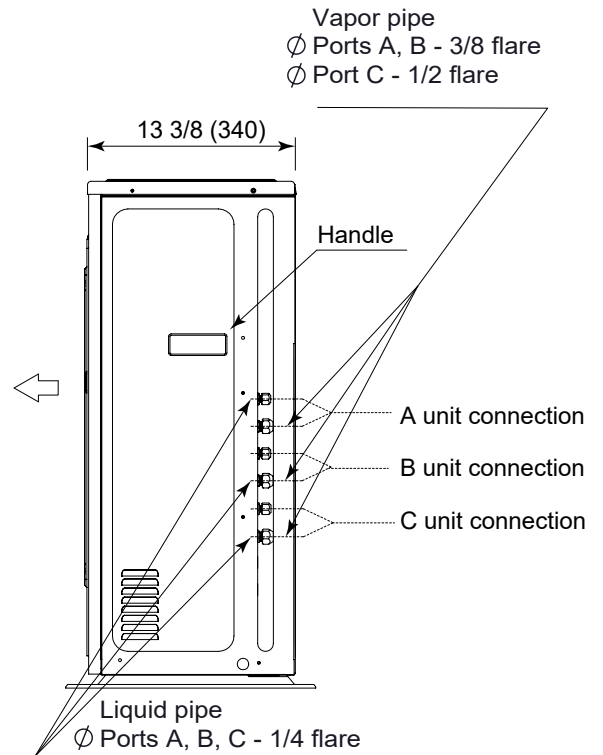
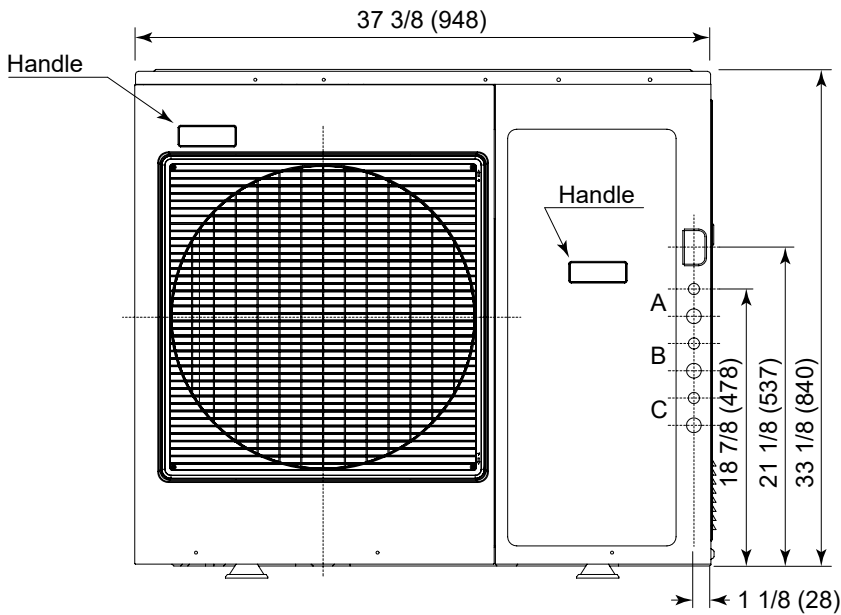
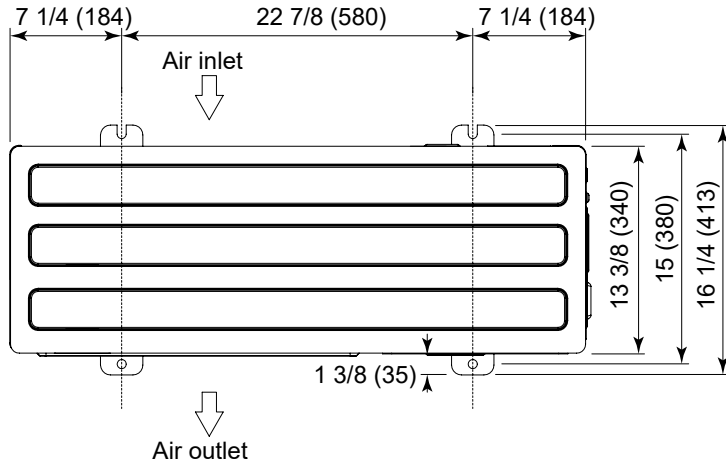




# Haier Arctic Multi Series Submittal

24000 BTU/HR INVERTER DRIVEN MULTI-ZONE HEAT PUMP SYSTEM

## 3U24EH2HDA



## 24000 BTU/HR INVERTER DRIVEN MULTI-ZONE HEAT PUMP SYSTEM

### 3U24EH2HDA

### Heating Capacity Data - Non Ducted

TC: Total Capacity, PI: Power Input

Outdoor Air Temp DB	Indoor Temperature (°F, DB)																				
	60			64			68			70			72			75			79		
	TC (Btu/h)	PI (W)	COP	TC (Btu/h)	PI (W)	COP	TC (Btu/h)	PI (W)	COP	TC (Btu/h)	PI (W)	COP	TC (Btu/h)	PI (W)	COP	TC (Btu/h)	PI (W)	COP	TC (Btu/h)	PI (W)	COP
-15°F(-26°C)	19,165	2,838	1.97	18,975	2,867	1.93	18,603	2,910	1.87	18,239	3,000	1.78	17,874	3,040	1.72	17,337	3,086	1.64	16,817	3,117	1.58
-5°F(-21°C)	20,736	3,046	1.99	20,531	3,077	1.95	20,128	3,124	1.88	19,734	3,188	1.81	19,339	3,220	1.76	18,759	3,252	1.69	18,196	3,323	1.60
0°F(-18°C)	22,642	3,167	2.09	22,418	3,188	2.06	22,196	3,247	2.00	21,976	3,313	1.94	21,536	3,363	1.87	20,890	3,424	1.78	20,264	3,501	1.69
5°F(-15°C)	23,943	3,086	2.27	23,824	3,174	2.19	23,706	3,199	2.17	23,471	3,219	2.13	22,767	3,283	2.03	22,084	3,336	1.93	20,980	3,420	1.79
14°F(-10°C)	26,277	3,136	2.45	26,149	3,187	2.40	25,072	3,223	2.27	26,013	3,313	2.30	25,492	3,382	2.20	25,092	3,458	2.12	24,590	3,591	2.00
23°F(-5°C)	27,751	3,327	2.44	28,316	3,282	2.52	28,190	3,215	2.56	28,106	3,438	2.39	27,983	3,508	2.33	27,757	3,593	2.26	27,329	3,668	2.18
32°F(0°C)	28,544	2,816	2.97	28,243	2,856	2.89	28,020	2,951	2.78	27,807	3,000	2.71	27,533	3,041	2.65	26,996	3,175	2.49	25,042	3,159	2.32
41°F(5°C)	29,903	2,832	3.09	29,443	2,915	2.96	29,521	3,049	2.83	29,003	3,078	2.76	28,906	3,133	2.70	28,039	3,180	2.58	25,738	2,913	2.58
47°F(8°C)	30,997	2,907	3.12	30,678	2,971	3.02	30,049	3,072	2.86	29,900	3,125	2.80	29,302	3,219	2.66	28,715	3,316	2.53	28,141	3,448	2.39
55°F(13°C)	33,052	3,007	3.22	32,655	3,124	3.06	31,242	3,025	3.02	30,260	2,945	3.01	29,655	3,004	2.89	27,876	2,708	3.01	26,761	2,446	3.20
65°F(18°C)	31,743	2,663	3.49	31,376	2,782	3.30	30,753	2,880	3.12	28,406	2,656	3.13	28,346	2,710	3.06	26,645	2,601	3.00	25,580	2,600	2.88
75°F(24°C)	28,266	2,106	3.93	27,734	2,196	3.70	27,195	2,289	3.48	26,989	2,344	3.37	26,449	2,391	3.24	25,920	2,468	3.07	25,402	2,493	2.98

### Heating Capacity Data - Ducted

TC: Total Capacity, PI: Power Input

Outdoor Air Temp DB	Indoor Temperature (°F, DB)																				
	60			64			68			70			72			75			79		
	TC (Btu/h)	PI (W)	COP	TC (Btu/h)	PI (W)	COP	TC (Btu/h)	PI (W)	COP	TC (Btu/h)	PI (W)	COP	TC (Btu/h)	PI (W)	COP	TC (Btu/h)	PI (W)	COP	TC (Btu/h)	PI (W)	COP
-15°F(-26°C)	18,210	2,951	1.80	18,120	2,981	1.78	17,940	3,026	1.73	17,763	3,088	1.68	17,407	3,129	1.63	16,972	3,176	1.56	16,463	3,208	1.50
-5°F(-21°C)	19,801	3,135	1.85	19,605	3,167	1.81	19,411	3,215	1.76	19,219	3,281	1.71	18,834	3,314	1.66	18,269	3,347	1.59	17,721	3,420	1.51
0°F(-18°C)	22,051	3,259	1.98	21,833	3,281	1.94	21,617	3,341	1.89	21,403	3,409	1.83	20,975	3,461	1.77	20,345	3,524	1.69	19,735	3,603	1.60
5°F(-15°C)	23,319	3,238	2.11	23,203	3,330	2.04	23,087	3,356	2.01	22,859	3,377	1.98	22,173	3,445	1.88	21,508	3,500	1.80	20,432	3,588	1.66
14°F(-10°C)	25,592	3,228	2.32	25,467	3,280	2.27	24,418	3,317	2.15	25,334	3,409	2.17	24,827	3,481	2.09	24,437	3,559	2.01	23,949	3,695	1.89
23°F(-5°C)	27,027	3,424	2.31	27,577	3,378	2.39	27,455	3,309	2.43	27,372	3,538	2.26	27,253	3,610	2.21	27,033	3,698	2.14	26,616	3,775	2.06
32°F(0°C)	27,799	2,898	2.81	27,506	2,940	2.74	27,289	3,037	2.63	27,081	3,088	2.57	26,814	3,129	2.51	26,292	3,268	2.35	24,389	3,251	2.19
41°F(5°C)	29,123	2,915	2.92	28,675	3,000	2.80	28,750	3,138	2.68	28,246	3,168	2.61	28,152	3,225	2.55	27,307	3,273	2.44	25,066	2,998	2.45
47°F(8°C)	30,189	2,992	2.95	29,878	3,057	2.86	29,265	3,161	2.71	29,120	3,216	2.65	28,537	3,313	2.52	27,966	3,412	2.40	27,407	3,549	2.26
55°F(13°C)	32,190	3,095	3.04	31,804	3,215	2.89	30,427	3,114	2.86	29,471	3,031	2.84	28,882	3,091	2.73	27,149	2,787	2.85	26,063	2,517	3.03
65°F(18°C)	30,915	2,741	3.30	30,557	2,863	3.12	29,950	2,964	2.96	27,665	2,734	2.96	27,607	2,789	2.90	25,950	2,677	2.84	24,912	2,676	2.72
75°F(24°C)	27,528	2,168	3.72	27,011	2,260	3.50	26,486	2,355	3.29	26,285	2,412	3.19	25,759	2,460	3.06	25,244	2,540	2.91	24,739	2,566	2.82

### Cooling Capacity Data - Non Ducted

TC: Total Capacity, PI: Power Input

Outdoor Air Temp DB	Indoor Temperature (°F, DB/WB)																							
	64/53			68/57			72/61			77/64			80/67			82/70			86/72			90/75		
	TC (Btu/h)	PI (W)	EER	TC (Btu/h)	PI (W)	EER	TC (Btu/h)	PI (W)	EER	TC (Btu/h)	PI (W)	EER	TC (Btu/h)	PI (W)	EER	TC (Btu/h)	PI (W)	EER	TC (Btu/h)	PI (W)	EER	TC (Btu/h)	PI (W)	EER
14°F(-10°C)	13,468	851	15.81	15,844	945	16.75	18,640	1,051	17.73	19,217	1,072	17.91	20,018	1,105	18.10	20,818	1,122	18.55	21,443	1,133	18.91	22,139	1,167	18.96
32°F(0°C)	15,931	1,012	15.73	18,743	1,125	16.65	22,050	1,250	17.63	22,732	1,275	17.81	23,680	1,315	18.00	24,627	1,335	18.44	25,366	1,348	18.81	25,873	1,388	18.62
50°F(10°C)	16,835	1,100	15.29	19,806	1,223	16.19	23,301	1,359	17.14	24,021	1,386	17.32	25,022	1,429	17.50	26,023	1,451	17.93	26,804	1,465	18.28	27,340	1,509	18.10
68°F(20°C)	18,149	1,262	14.37	21,351	1,402	15.22	25,119	1,558	16.11	25,896	1,590	16.28	27,586	1,639	16.82	28,054	1,664	16.85	28,896	1,680	17.19	29,474	1,731	17.02
86°F(30°C)	17,344	1,394	12.43	20,405	1,549	13.16	24,005	1,721	13.94	24,748	1,756	14.08	25,779	1,811	14.23	26,810	1,838	14.58	27,615	1,856	14.87	28,167	1,912	14.72
95°F(35°C)	16,424	1,467	11.18	19,322	1,630	11.84	22,732	1,812	12.54	23,436	1,849	12.67	24,412	1,906	12.80	25,389	1,934	13.12	26,150	1,954	13.38	26,673	2,012	13.25
104°F(40°C)	15,110	1,673	9.03	17,777	1,859	9.56	20,914	2,065	10.12	21,561	2,108	10.22	23,680	2,135	11.09	23,357	2,205	10.58	23,535	2,227	10.56	24,006	2,294	10.46
110°F(43°C)	14,453	1,732	8.34	17,004	1,924	8.83	20,004	2,138	9.35	20,623	2,182	9.45	21,727	2,325	9.34	22,342	2,283	9.78	23,012	2,306	9.97	23,472	2,375	9.88
115°F(46°C)	13,468	1,761	7.64	15,844	1,957	8.09	18,640	2,174	8.57	19,217	2,218	8.66	20,750	2,487	8.34	21,326	2,321	9.18	21,966	2,345	9.36	22,405	2,415	9.27

### Cooling Capacity Data - Ducted

TC: Total Capacity, PI: Power Input

Outdoor Air Temp DB	Indoor Temperature (°F, DB/WB)																							
	64/53			68/57			72/61			77/64			80/67			82/70			86/72			90/75		
	TC (Btu/h)	PI (W)	EER	TC (Btu/h)	PI (W)	EER	TC (Btu/h)	PI (W)	EER	TC (Btu/h)	PI (W)	EER	TC (Btu/h)	PI (W)	EER	TC (Btu/h)	PI (W)	EER	TC (Btu/h)	PI (W)	EER	TC (Btu/h)	PI (W)	EER
14°F(-10°C)	8,917	459	19.43	11,889	540	22.02	16,513	750	22.02	19,949	852	23.41	23,672	937	25.26	24,395	966	25.25	25,603	996	25.71	26,883	1,026	26.20
32°F(0°C)	8,644	514	16.82	11,525	594	19.40	16,007	825	19.40	18,980	937	20.26	22,058	1,069	20.63	23,276	1,045	22.27	24,323	1,076	22.61	25,539	1,108	23.05
50°F(10°C)	9,554	571	16.73	12,738	672	18.96	16,513	934	17.68	20,142	1,061	18.98	22,703	1,166	19.47	23,611	1,183	19.96	25,231	1,195	21.11	26,395	1,231	21.44
68°F(20°C)	10,463	714	14.65	13,951	840	16.61	18,198	1,167	15.59	20,878	1,326	15.75	23,844	1,458	16.35	24,551	1,479	16.60	26,371	1,494	17.65	27,861	1,539	18.10
86°F(30°C)	9,827	857	11.47	13,102	1,008	13.00	17,861	1,401	12.75	20,471	1,627	12.58	22,725	1,749	12.99	23,365	1,775	13.16	25,091	1,793	13.99	26,150	1,847	14.16
95°F(35°C)	9,099	952	9.56	12,132	1,120	10.83	16,850	1,556	10.83	19,368	1,769	10.95	21,520	1,944	11.07	22,380	1,973	11.34	23,276	1,992	11.68	24,439	2,052	11.91
104°F(40°C)	8,644	1,076	8.03	11,525	1,154	9.99	16,007	1,759	9.10	18,302	1,981	9.24	20,766	2,216	9.37	21,597	2,249	9.60	22,461	2,271	9.89	23,584	2,298	10.26
110°F(43°C)	9,326	1,190	7.84	12,738	1,569	8.12	14,491	1,805	8.03	17,043	2,069	8.24	20,551	2,527	8.13	21,373	2,565	8.33	22,228	2,590	8.58	23,340	2,545	9.17
115°F(46°C)	9,508	1,333	7.13	11,404	1,423	8.01	13,850	1,945	7.12	16,172	2,175	7.44	20,293	2,681	7.57	20,097	2,722	7.38	21,507	2,750	7.82	22,582	2,812	8.03

• Capacity output and power usage are measured approximately at 50% indoor RH.

# Haier Arctic Multi Series Submittal

36000 BTU/HR INVERTER DRIVEN MULTI-ZONE HEAT PUMP SYSTEM

## 4U36EH2HDA

Job Name: \_\_\_\_\_

Purchaser: \_\_\_\_\_

Submitted To: \_\_\_\_\_

Construction: \_\_\_\_\_

Reference: \_\_\_\_\_

Approval: \_\_\_\_\_

Date: \_\_\_\_\_

Submitted By: \_\_\_\_\_

Unit: \_\_\_\_\_

Drawing #: \_\_\_\_\_



### Accessories

#### Wind Baffle

Uses wind baffle UAWB46A

#### Snow Hood

Uses snow hood UAWB80A

### Electrical Requirement

Power Supply	208/230V, 1 Phase, 60 HZ
Operating Voltage Range	187~253 VAC
Recommended Fuse/Breaker Size	40A
MCA	33A

Connecting cable to indoor units must be 14/4 AWG unshielded stranded copper. Cable must be ran continuous, without splicing.

### Operating Range

Cooling	14~115°F (-10~46°C)
Heating	-15~75°F (-26~24°C)

Rated heating performance down to -15°F and continuous operation at -22°F. Cooling below 23°F (-5°C) requires wind baffle.

### Cooling Performance

Cooling Capacity Range (Non-Ducted/Ducted)	10,000-36,000 BTU/ 10,000-36,000 BTU
Rated Power Input (Non-Ducted/Ducted)	3,590/3,750 W
SEER2 (Non-Ducted/Ducted)	19.0/15.7
EER2 (Non-Ducted/Ducted)	9.3/8.8

### Heating Performance

Heating Capacity Range (Non-Ducted/Ducted)	9,000-37,000 BTU/ 10,000-36,000 BTU
HSPF2 (IV) (Non-Ducted/Ducted)	9.5/8.7
HSPF2 (V) (Non-Ducted/Ducted)	7.4/7.0

### Pipe Length

Minimum Pipe Length (Each)	10 ft
Maximum Pipe Length (Each/All)	82 ft /230 ft
Pre-Charged	131 ft
Additional Charge	0.2 oz/ft
Maximum Pipe Height Difference	50 ft
Flare Connections	Liquid: 1/4", 1/4", 1/4", 1/4" Vapor: 3/8", 3/8", 3/8", 1/2"

### Outdoor Unit

Compressor	DC inverter Driven Rotary
Uncrated Dimension (HxWxD)	38 x 37 1/2 x 14 5/8 in (965 x 950 x 370 mm)
Crated (HxWxD)	46 1/8 x 41 3/8 x 19 1/8 in (1170 x (1050 x 485 mm)
Outdoor Sound Rating dB	61
Heat Exchanger Fin Type	Blue Fin
Weight (Ship/Net)	218/181 lbs
Factory Refrigerant Charge	R-410A (102 oz)



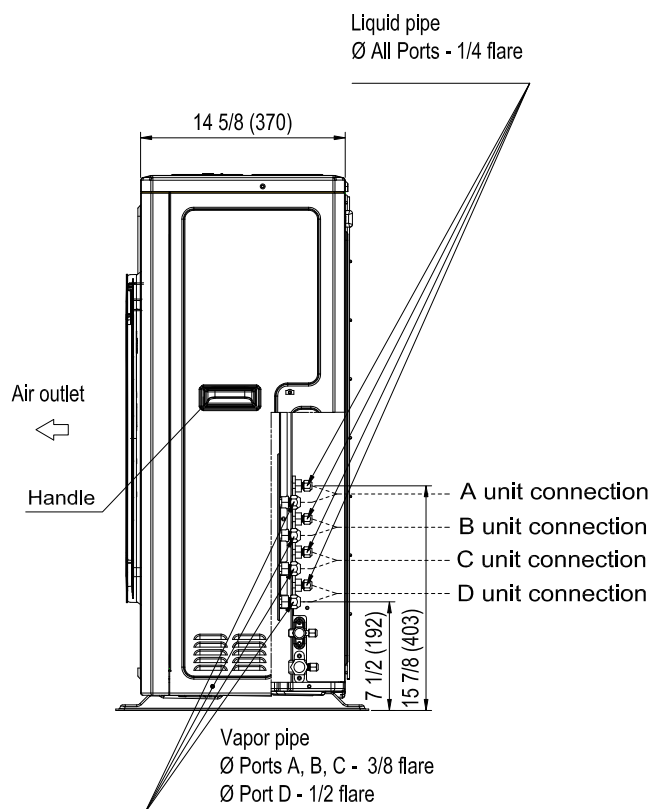
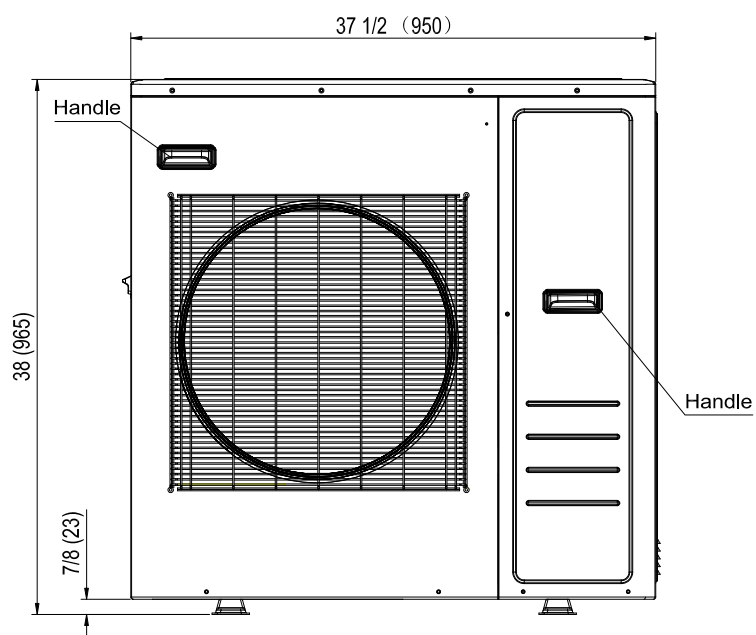
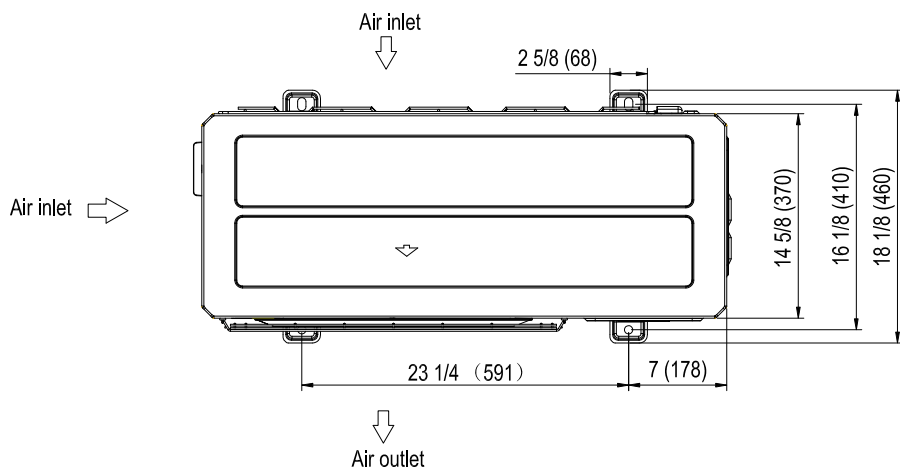
For more information visit us:  
www.Haierductless.com  
www.Haierductlesshelp.com



# Haier Arctic Multi Series Submittal

36000 BTU/HR INVERTER DRIVEN MULTI-ZONE HEAT PUMP SYSTEM

## 4U36EH2HDA



36000 BTU/HR INVERTER DRIVEN MULTI-ZONE HEAT PUMP SYSTEM

## 4U36EH2HDA

### Heating Capacity Data - Non Ducted

TC: Total Capacity, PI: Power Input

Outdoor Air Temp DB	Indoor Temperature (°F, DB)																				
	60			64			68			70			72			75			79		
	TC (Btu/h)	PI (W)	COP	TC (Btu/h)	PI (W)	COP	TC (Btu/h)	PI (W)	COP	TC (Btu/h)	PI (W)	COP	TC (Btu/h)	PI (W)	COP	TC (Btu/h)	PI (W)	COP	TC (Btu/h)	PI (W)	COP
-15°F(-26°C)	26,550	4,029	1.93	26,287	4,069	1.89	26,027	4,110	1.85	25,769	4,152	1.81	25,512	4,207	1.77	25,257	4,291	1.72	25,004	4,377	1.67
-5°F(-21°C)	29,144	4,132	2.06	28,572	4,174	2.00	28,150	4,216	1.95	27,734	4,258	1.90	27,457	4,301	1.87	26,907	4,344	1.81	26,369	4,439	1.74
0°F(-18°C)	31,013	4,207	2.16	30,405	4,235	2.10	29,664	4,312	2.01	29,082	4,400	1.93	28,500	4,466	1.87	27,645	4,548	1.78	26,816	4,650	1.69
5°F(-15°C)	33,462	4,157	2.35	32,330	4,199	2.25	31,388	4,232	2.17	30,623	4,258	2.10	29,704	4,344	2.00	28,813	4,413	1.91	27,372	4,524	1.77
14°F(-10°C)	34,242	4,210	2.38	34,075	4,278	2.33	32,672	4,321	2.21	33,897	4,365	2.27	33,219	4,456	2.18	32,697	4,557	2.10	32,044	4,731	1.98
23°F(-5°C)	36,418	3,886	2.74	35,704	3,925	2.66	35,545	3,964	2.62	35,438	4,045	2.56	35,283	4,128	2.50	34,999	4,228	2.42	34,458	4,317	2.33
32°F(0°C)	36,609	3,383	3.17	35,891	3,487	3.01	35,188	3,595	2.86	34,668	3,655	2.77	34,326	3,704	2.71	33,657	3,868	2.54	31,221	3,849	2.37
41°F(5°C)	38,127	3,428	3.25	37,541	3,528	3.11	37,639	3,690	2.98	36,979	3,726	2.90	36,239	3,793	2.80	35,151	3,849	2.67	32,266	3,526	2.68
47°F(8°C)	39,934	3,301	3.54	39,523	3,373	3.43	38,712	3,488	3.25	38,520	3,549	3.18	37,749	3,655	3.02	36,994	3,765	2.87	36,254	3,915	2.71
55°F(13°C)	42,999	3,414	3.69	42,483	3,547	3.50	40,644	3,435	3.46	39,367	3,344	3.45	38,580	3,411	3.31	36,265	3,075	3.45	34,814	2,777	3.67
65°F(18°C)	40,894	3,024	3.96	40,421	3,159	3.74	39,619	3,271	3.54	36,595	3,016	3.55	36,519	3,077	3.47	34,327	2,953	3.40	32,954	2,952	3.27
75°F(24°C)	36,415	2,391	4.46	35,730	2,493	4.19	35,035	2,599	3.95	34,770	2,661	3.82	34,074	2,715	3.67	33,393	2,803	3.49	32,725	2,831	3.38

### Heating Capacity Data - Ducted

TC: Total Capacity, PI: Power Input

Outdoor Air Temp DB	Indoor Temperature (°F, DB)																				
	60			64			68			70			72			75			79		
	TC (Btu/h)	PI (W)	COP	TC (Btu/h)	PI (W)	COP	TC (Btu/h)	PI (W)	COP	TC (Btu/h)	PI (W)	COP	TC (Btu/h)	PI (W)	COP	TC (Btu/h)	PI (W)	COP	TC (Btu/h)	PI (W)	COP
-15°F(-26°C)	26,037	4,213	1.81	25,779	4,256	1.77	25,524	4,299	1.73	25,272	4,342	1.70	25,019	4,400	1.66	24,769	4,488	1.61	24,521	4,578	1.56
-5°F(-21°C)	28,327	4,321	1.92	27,771	4,365	1.86	27,361	4,409	1.81	26,956	4,454	1.77	26,687	4,498	1.73	26,420	4,543	1.70	26,156	4,643	1.65
0°F(-18°C)	30,144	4,400	2.00	29,553	4,429	1.95	28,832	4,510	1.87	28,267	4,602	1.79	27,984	4,671	1.75	27,704	4,757	1.70	27,427	4,863	1.65
5°F(-15°C)	32,524	4,348	2.19	31,424	4,392	2.09	30,508	4,426	2.02	29,764	4,454	1.95	29,467	4,543	1.90	29,172	4,615	1.85	28,880	4,732	1.78
14°F(-10°C)	34,039	4,403	2.26	33,873	4,474	2.21	32,478	4,519	2.10	33,696	4,565	2.16	33,022	4,660	2.07	32,503	4,766	1.99	31,853	4,948	1.88
23°F(-5°C)	37,705	4,456	2.47	36,966	4,501	2.40	36,801	4,547	2.37	36,691	4,639	2.31	36,530	4,734	2.26	36,236	4,849	2.18	35,677	4,950	2.11
32°F(0°C)	35,583	3,538	2.94	34,885	3,647	2.80	34,201	3,760	2.66	33,696	3,823	2.58	33,364	3,874	2.52	32,714	4,045	2.36	30,346	4,025	2.20
41°F(5°C)	37,058	3,585	3.02	36,488	3,689	2.89	36,584	3,860	2.77	35,942	3,897	2.70	35,223	3,967	2.60	34,166	4,026	2.48	31,362	3,688	2.49
47°F(8°C)	39,590	3,453	3.36	38,415	3,528	3.19	37,627	3,648	3.02	37,440	3,711	2.95	36,691	3,823	2.81	35,957	3,937	2.67	35,238	4,095	2.52
55°F(13°C)	41,793	3,571	3.42	41,291	3,710	3.26	39,504	3,593	3.22	38,263	3,497	3.20	37,498	3,567	3.08	35,248	3,216	3.21	33,838	2,905	3.41
65°F(18°C)	39,748	3,162	3.68	39,288	3,304	3.48	38,508	3,421	3.29	35,569	3,155	3.30	35,495	3,218	3.23	33,365	3,089	3.16	32,030	3,087	3.04
75°F(24°C)	35,394	2,501	4.14	34,728	2,607	3.90	34,053	2,718	3.67	33,795	2,783	3.55	33,119	2,839	3.41	32,457	2,931	3.24	31,807	2,960	3.14

### Cooling Capacity Data - Non Ducted

TC: Total Capacity, PI: Power Input

Outdoor Air Temp DB	Indoor Temperature (°F, DB/WB)																							
	64/53			68/57			72/61			77/64			80/67			82/70			86/72			90/75		
	TC (Btu/h)	PI (W)	EER	TC (Btu/h)	PI (W)	EER	TC (Btu/h)	PI (W)	EER	TC (Btu/h)	PI (W)	EER	TC (Btu/h)	PI (W)	EER	TC (Btu/h)	PI (W)	EER	TC (Btu/h)	PI (W)	EER	TC (Btu/h)	PI (W)	EER
14°F(-10°C)	20,708	1,587	13.04	24,363	1,763	13.81	27,685	1,836	15.07	30,092	1,996	15.07	29,938	2,079	14.39	31,198	1,783	17.49	32,508	1,838	17.68	34,638	1,856	18.65
32°F(0°C)	22,570	1,888	11.95	26,553	2,097	12.65	30,174	2,185	13.80	32,797	2,375	13.80	32,403	2,474	13.09	33,375	1,929	17.30	36,992	1,985	18.63	38,102	2,004	19.00
50°F(10°C)	23,850	2,052	11.62	28,058	2,280	12.30	31,885	2,375	13.42	34,657	2,581	13.42	36,101	2,689	13.42	37,184	2,183	17.02	39,757	2,205	18.02	40,796	2,227	18.31
68°F(20°C)	26,293	2,353	11.17	30,933	2,614	11.83	35,151	2,723	12.90	38,207	2,960	12.90	39,799	3,083	12.90	39,796	2,729	14.57	42,335	2,757	15.35	43,875	2,784	15.75
86°F(30°C)	24,571	2,599	9.45	28,907	2,888	10.00	32,849	3,008	10.91	35,705	3,270	10.91	37,193	3,406	10.91	37,874	3,275	11.56	40,280	3,308	12.17	41,181	3,341	12.32
95°F(35°C)	23,268	2,736	8.50	27,374	3,040	9.00	31,107	3,167	9.82	33,812	3,442	9.82	35,221	3,586	9.82	36,277	3,639	9.96	37,366	3,676	10.16	38,487	3,712	10.36
104°F(40°C)	22,570	2,955	7.63	26,553	3,162	8.39	30,174	3,293	9.16	32,797	3,580	9.16	34,164	3,872	8.82	35,189	3,930	8.95	36,245	3,970	9.12	37,332	4,009	9.30
110°F(43°C)	20,708	3,010	6.87	24,363	3,222	7.55	27,685	3,357	8.24	30,092	3,649	8.24	31,346	3,944	7.94	32,287	4,003	8.06	33,255	4,043	8.22	34,253	4,084	8.38
115°F(46°C)	19,312	3,064	6.30	22,720	3,283	6.91	25,819	3,420	7.54	28,740	3,717	7.73	29,233	4,016	7.27	30,110	4,076	7.38	31,013	4,117	7.53	31,944	4,158	7.68

### Cooling Capacity Data - Ducted

TC: Total Capacity, PI: Power Input

Outdoor Air Temp DB	Indoor Temperature (°F, DB/WB)																							
	64/53			68/57			72/61			77/64			80/67			82/70			86/72			90/75		
	TC (Btu/h)	PI (W)	EER	TC (Btu/h)	PI (W)	EER	TC (Btu/h)	PI (W)	EER	TC (Btu/h)	PI (W)	EER	TC (Btu/h)	PI (W)	EER	TC (Btu/h)	PI (W)	EER	TC (Btu/h)	PI (W)	EER	TC (Btu/h)	PI (W)	EER
14°F(-10°C)	19,624	1,231	15.94	23,087	1,414	16.31	25,941	1,572	16.50	29,041	1,708	16.99	31,919	1,789	17.83	32,701	1,846	17.71	34,044	1,902	17.89	35,438	1,921	18.43
32°F(0°C)	21,222	1,379	15.38	25,504	1,555	16.39	28,053	1,728	16.22	31,127	1,879	16.56	34,035	1,819	18.71	35,865	1,997	17.95	37,847	2,055	18.41	38,982	2,075	18.78
50°F(10°C)	23,960	1,532	15.63	28,188	1,761	16.00	29,561	1,957	15.10	33,052	2,127	15.53	36,015	2,227	16.16	37,096	2,260	16.40	39,259	2,283	17.19	40,288	2,306	17.46
68°F(20°C)	26,242	1,915	13.70	30,873	2,201	14.02	32,577	2,446	13.31	34,593	2,659	13.00	37,825	2,784	13.58	38,573	2,826	13.64	41,034	2,854	14.37	42,526	2,882	14.75
86°F(30°C)	24,645	2,298	10.72	28,994	2,642	10.97	31,974	2,935	10.89	33,919	3,261	10.39	36,050	3,341	10.78	36,709	3,391	10.82	39,042	3,425	11.39	39,915	3,459	11.53
95°F(35°C)	22,819	2,553	8.93	26,846	2,935	9.14	30,164	3,261	9.24	32,090	3,545	9.05	34,138	3,712	9.19	35,162	3,768	9.33	36,217	3,805	9.51	37,303	3,843	9.70
104°F(40°C)	21,678	2,681	8.08	25,772	3,023	8.52	28,656	3,327	8.61	30,806	3,651	8.43	32,772	3,861	8.48	33,404	3,956	8.44	35,529	3,996	8.89	36,595	4,036	9.06
110°F(43°C)	20,537	2,528	8.12	24,161	2,906	8.31	27,148	3,196	8.49	28,881	3,474	8.31	30,383	3,675	8.26	32,454	3,730	8.69	34,551	3,767	9.17	35,587	3,805	9.35
115°F(46°C)	19,396	2,451	7.91	23,356	2,876	8.11	23,830	3,000	7.94	24,067	3,190	7.54	24,359	3,382	7.20	28,059	3,579	7.83	29,843	3,615	8.25	30,738	3,651	8.41

• Capacity output and power usage are measured approximately at 50% indoor RH.

# Haier Arctic Multi Series Submittal

7000 BTU/HR WALL MOUNTED INVERTER DRIVEN HEAT PUMP SYSTEM

## AW07LC2VHB

Job Name: \_\_\_\_\_

Purchaser: \_\_\_\_\_

Submitted To: \_\_\_\_\_

Construction: \_\_\_\_\_

Reference: \_\_\_\_\_

Approval: \_\_\_\_\_

Date: \_\_\_\_\_

Submitted By: \_\_\_\_\_

Unit: \_\_\_\_\_

Drawing #: \_\_\_\_\_



### Electrical Requirement

Power Supply	208/230V, 1 Phase, 60 HZ
Operating Voltage Range	187~253 VAC

### Performance

Rated Cooling Capacity	7,000 BTU
Rated Heating Capacity	8,000 BTU

### Piping

Flare Connections	1/4" (Liquid) 3/8" (Vapor)
-------------------	-------------------------------

## Accessories

### Remote Controller

Ships with Standard Remote Control (WJ01X24721)

### Compatible Wired Controllers (requires WK-B adapter)

Simplified Wired Controller (QACT17A)

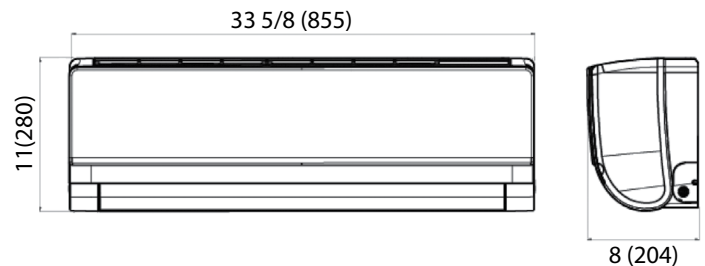
Programmable Wired Controller (YR-E16B)

### WiFi

Compatible with WiFi Module (QAWF01A)

### Indoor Unit

Uncrated Dimension (HxWxD)	11 x 33 5/8 x 8 in (280 x 855 x 204 mm)
Crated (HxWxD)	14 x 37 1/2 x 11 in (355 x 954 x 279 mm)
Airflow CFM (Turbo/High/Med/Low/Quiet)	410/350/295/235/205
Indoor Sound Level dB (Turbo/High/Med/Low/Quiet)	43/38/33/26/22
Motor Rating (HP)	0.054
Heat Exchanger Fin Type	Blue Fin
Weight (Ship/Net)	26.9/22.0 lbs



For more information visit us:  
[www.Haierductless.com](http://www.Haierductless.com)  
[www.Haierductlesshelp.com](http://www.Haierductlesshelp.com)



# Haier Arctic Multi Series Submittal

9000 BTU/HR WALL MOUNTED INVERTER DRIVEN HEAT PUMP SYSTEM

## AW09LC2VHB

Job Name: \_\_\_\_\_

Purchaser: \_\_\_\_\_

Submitted To: \_\_\_\_\_

Construction: \_\_\_\_\_

Reference: \_\_\_\_\_

Approval: \_\_\_\_\_

Date: \_\_\_\_\_

Submitted By: \_\_\_\_\_

Unit: \_\_\_\_\_

Drawing #: \_\_\_\_\_



### Electrical Requirement

Power Supply	208/230V, 1 Phase, 60 HZ
Operating Voltage Range	187~253 VAC

### Performance

Rated Cooling Capacity	9,000 BTU
Rated Heating Capacity	10,000 BTU

### Piping

Flare Connections	1/4" (Liquid)
	3/8" (Vapor)

## Accessories

### Remote Controller

Ships with Standard Remote Control (WJ01X24721)

### Compatible Wired Controllers (requires WK-B adapter)

Simplified Wired Controller (QACT17A)

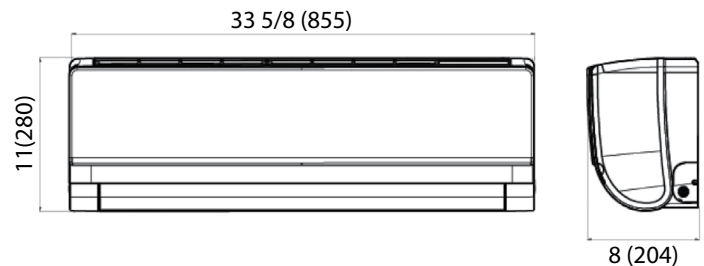
Programmable Wired Controller (YR-E16B)

### WiFi

Compatible with WiFi Module (QAWF01A)

### Indoor Unit

Uncrated Dimension (HxWxD)	11 x 33 5/8 x 8 in (280 x 855 x 204 mm)
Crated (HxWxD)	14 x 37 1/2 x 11 in (355 x 954 x 279 mm)
Airflow CFM (Turbo/High/Med/Low/Quiet)	410/350/295/235/205
Indoor Sound Level dB (Turbo/High/Med/Low/Quiet)	43/38/33/26/22
Motor Rating (HP)	0.054
Heat Exchanger Fin Type	Blue Fin
Weight (Ship/Net)	26.9/22.0 lbs



For more information visit us:  
[www.Haierductless.com](http://www.Haierductless.com)  
[www.Haierductlesshelp.com](http://www.Haierductlesshelp.com)

# Haier Arctic Multi Series Submittal

12000 BTU/HR WALL MOUNTED INVERTER DRIVEN HEAT PUMP SYSTEM

## AW12LC2VHB

Job Name: \_\_\_\_\_

Purchaser: \_\_\_\_\_

Submitted To: \_\_\_\_\_

Construction: \_\_\_\_\_

Reference: \_\_\_\_\_

Approval: \_\_\_\_\_

Date: \_\_\_\_\_

Submitted By: \_\_\_\_\_

Unit: \_\_\_\_\_

Drawing #: \_\_\_\_\_



### Electrical Requirement

Power Supply	208/230V, 1 Phase, 60 HZ
Operating Voltage Range	187~253 VAC

### Performance

Rated Cooling Capacity	12,000 BTU
Rated Heating Capacity	13,000 BTU

### Piping

Flare Connections	1/4" (Liquid) 3/8" (Vapor)
-------------------	-------------------------------

## Accessories

### Remote Controller

Ships with Standard Remote Control (WJ01X24721)

### Compatible Wired Controllers (requires WK-B adapter)

Simplified Wired Controller (QACT17A)

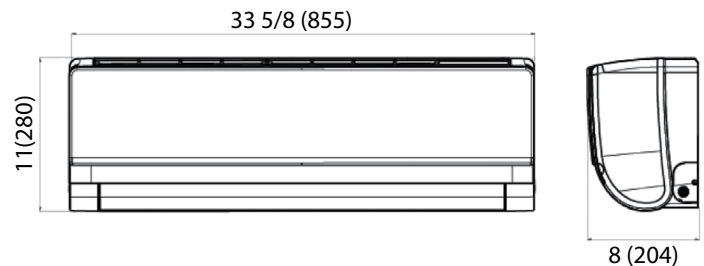
Programmable Wired Controller (YR-E16B)

### WiFi

Compatible with WiFi Module (QAWF01A)

### Indoor Unit

Uncrated Dimension (HxWxD)	11 x 33 5/8 x 8 in (280 x 855 x 204 mm)
Crated (HxWxD)	14 x 37 1/2 x 11 in (355 x 954 x 279 mm)
Airflow CFM (Turbo/High/Med/Low/Quiet)	440/380/320/265/215
Indoor Sound Level dB (Turbo/High/Med/Low/Quiet)	44/39/34/27/23
Motor Rating (HP)	0.054
Heat Exchanger Fin Type	Blue Fin
Weight (Ship/Net)	26.9/22.0 lbs



For more information visit us:  
[www.Haierductless.com](http://www.Haierductless.com)  
[www.Haierductlesshelp.com](http://www.Haierductlesshelp.com)



# Haier Arctic Multi Series Submittal

18000 BTU/HR WALL MOUNTED INVERTER DRIVEN HEAT PUMP SYSTEM

## AW18LC2VHB

Job Name: \_\_\_\_\_

Purchaser: \_\_\_\_\_

Submitted To: \_\_\_\_\_

Construction: \_\_\_\_\_

Reference: \_\_\_\_\_

Approval: \_\_\_\_\_

Date: \_\_\_\_\_

Submitted By: \_\_\_\_\_

Unit: \_\_\_\_\_

Drawing #: \_\_\_\_\_



### Electrical Requirement

Power Supply	208/230V, 1 Phase, 60 HZ
Operating Voltage Range	187~253 VAC

### Performance

Rated Cooling Capacity	18,000 BTU
Rated Heating Capacity	19,000 BTU

### Piping

Flare Connections	1/4" (Liquid)
	1/2" (Vapor)

## Accessories

### Remote Controller

Ships with Standard Remote Control (WJ01X24721)

### Compatible Wired Controllers (requires WK-B adapter)

Simplified Wired Controller (QACT17A)

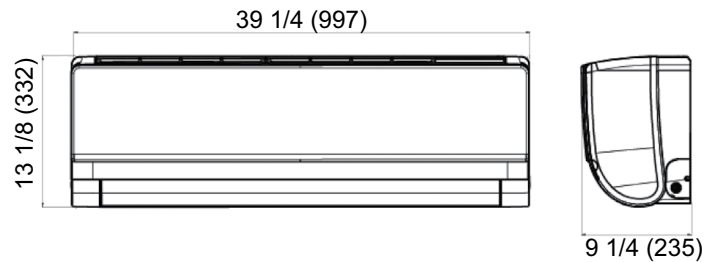
Programmable Wired Controller (YR-E16B)

### WiFi

Compatible with WiFi Module (QAWF01A)

### Indoor Unit

Uncrated Dimension (HxWxD)	13 1/8 x 39 1/4 x 9 1/4 in (332 x 997 x 235 mm)
Crated (HxWxD)	15 7/8 x 42 3/4 x 13 in (403 x 1085 x 329 mm)
Airflow CFM (Turbo/High/Med/Low/Quiet)	636/530/483/430/383
Indoor Sound Level dB (Turbo/High/Med/Low/Quiet)	48/45/40/35/30
Motor Rating (HP)	0.054
Heat Exchanger Fin Type	Blue Fin
Weight (Ship/Net)	35.3/28.7 lbs



For more information visit us:  
[www.Haierductless.com](http://www.Haierductless.com)  
[www.Haierductlesshelp.com](http://www.Haierductlesshelp.com)

# Haier Arctic Multi Series Submittal

24,000 BTU/HR WALL MOUNTED INVERTER DRIVEN HEAT PUMP SYSTEM

## AW24LP2VHA

Job Name: \_\_\_\_\_

Purchaser: \_\_\_\_\_

Submitted To: \_\_\_\_\_

Construction: \_\_\_\_\_

Reference: \_\_\_\_\_

Approval: \_\_\_\_\_

Date: \_\_\_\_\_

Submitted By: \_\_\_\_\_

Unit: \_\_\_\_\_

Drawing #: \_\_\_\_\_



### Electrical Requirement

Power Supply	208/230V, 1 Phase, 60 HZ
Operating Voltage Range	187~253 VAC

### Performance

Rated Cooling Capacity	24,000 BTU
Rated Heating Capacity	27,000 BTU

### Piping

Flare Connections	3/8" (Liquid)
	5/8" (Vapor)

## Accessories

### Remote Controller

Ships with Standard Remote Control (WJ01X24721)

### Compatible Wired Controllers (requires WK-B adapter)

Simplified Wired Controller (QACT17A)

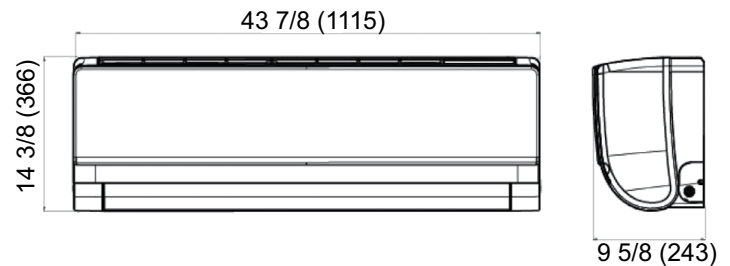
Programmable Wired Controller (YR-E16B)

### WiFi

Compatible with WiFi Module (QAWF01A)

### Indoor Unit

Uncrated Dimension (HxWxD)	14 3/8 x 43 7/8 x 9 5/8 in (366 x 1115 x 243 mm)
Crated (HxWxD)	16 1/2 x 47 1/2 x 13 1/2 in (418 x 1206 x 342 mm)
Airflow CFM (Turbo/High/Med/Low/Quiet)	710/650/560/440/410
Indoor Sound Level dB (Turbo/High/Med/Low/Quiet)	49/47/42/36/34
Motor Rating (HP)	0.094
Heat Exchanger Fin Type	Blue Fin
Weight (Ship/Net)	45.4/37.5 lbs



For more information visit us:  
[www.Haierductless.com](http://www.Haierductless.com)  
[www.Haierductlesshelp.com](http://www.Haierductlesshelp.com)

# Haier Arctic Multi Series Submittal

7,000 BTU/HR WALL MOUNTED INVERTER DRIVEN HEAT PUMP SYSTEM

## AW07TC2HDA

Job Name: \_\_\_\_\_

Purchaser: \_\_\_\_\_

Submitted To: \_\_\_\_\_

Construction: \_\_\_\_\_

Reference: \_\_\_\_\_

Approval: \_\_\_\_\_

Date: \_\_\_\_\_

Submitted By: \_\_\_\_\_

Unit: \_\_\_\_\_

Drawing #: \_\_\_\_\_



### Electrical Requirement

Power Supply	208/230V, 1 Phase, 60 HZ
Operating Voltage Range	187~253 VAC

### Performance

Rated Cooling Capacity	7,000 BTU
Rated Heating Capacity	8,000 BTU

### Piping

Flare Connections	1/4" (Liquid) 3/8" (Vapor)
-------------------	-------------------------------

### Indoor Unit

Uncrated Dimension (HxWxD)	11 7/8 x 33 3/4 x 7 3/4 in (301 x 856 x 196 mm)
Crated (HxWxD)	14 3/4 x 36 7/8 x 10 1/2 in (374 x 937 x 265 mm)
Cooling Indoor Sound Level dB (Turbo/High/Med/Low/Quiet)	42/36/33/29/26
Cooling Fan Motor RPM (Turbo/High/Med/Low/Quiet)	1210/1010/910/810/730
Cooling Airflow CFM (Turbo/High/Med/Low/Quiet)	400/315/274/222/187
Heating Indoor Sound Level dB (Turbo/High/Med/Low/Quiet)	42/36/33/29/26
Heating Fan Motor RPM (Turbo/High/Med/Low/Quiet)	1170/950/850/750/680
Heating Airflow CFM (Turbo/High/Med/Low/Quiet)	387/302/241/198/156
Motor Rating (HP)	0.04
Heat Exchanger Fin Type	Blue Fin
Weight (Ship/Net)	26.9/21.2 lbs

## Accessories

### Remote Controller

Ships with Standard Remote Control (WJ01X24721)

### Compatible Wired Controllers (no adapter required)

Simplified Wired Controller (QACT17A)

Programmable Wired Controller (YR-E16B)

### Built-in WiFi



For more information visit us:  
[www.Haierductless.com](http://www.Haierductless.com)  
[www.Haierductlesshelp.com](http://www.Haierductlesshelp.com)

# Haier Arctic Multi Series Submittal

9,000 BTU/HR WALL MOUNTED INVERTER DRIVEN HEAT PUMP SYSTEM

## AW09TC2HDA

Job Name: \_\_\_\_\_

Purchaser: \_\_\_\_\_

Submitted To: \_\_\_\_\_

Construction: \_\_\_\_\_

Reference: \_\_\_\_\_

Approval: \_\_\_\_\_

Date: \_\_\_\_\_

Submitted By: \_\_\_\_\_

Unit: \_\_\_\_\_

Drawing #: \_\_\_\_\_



### Electrical Requirement

Power Supply	208/230V, 1 Phase, 60 HZ
Operating Voltage Range	187~253 VAC

### Performance

Rated Cooling Capacity	9,000 BTU
Rated Heating Capacity	10,000 BTU

### Piping

Flare Connections	1/4" (Liquid) 3/8" (Vapor)
-------------------	-------------------------------

### Indoor Unit

Uncrated Dimension (HxWxD)	11 7/8 x 33 3/4 x 7 3/4 in (301 x 856 x 196 mm)
Crated (HxWxD)	14 3/4 x 36 7/8 x 10 1/2 in (374 x 937 x 265 mm)
Cooling Indoor Sound Level dB (Turbo/High/Med/Low/Quiet)	42/36/33/29/26
Cooling Fan Motor RPM (Turbo/High/Med/Low/Quiet)	1250/1050/950/850/750
Cooling Airflow CFM (Turbo/High/Med/Low/Quiet)	421/332/292/242/200
Heating Indoor Sound Level dB (Turbo/High/Med/Low/Quiet)	42/36/33/29/26
Heating Fan Motor RPM (Turbo/High/Med/Low/Quiet)	1200/970/870/770/700
Heating Airflow CFM (Turbo/High/Med/Low/Quiet)	397/310/250/211/165
Motor Rating (HP)	0.04
Heat Exchanger Fin Type	Blue Fin
Weight (Ship/Net)	26.9/21.2 lbs

## Accessories

### Remote Controller

Ships with Standard Remote Control (WJ01X24721)

### Compatible Wired Controllers (no adapter required)

Simplified Wired Controller (QACT17A)

Programmable Wired Controller (YR-E16B)

### Built-in WiFi



For more information visit us:  
[www.Haierductless.com](http://www.Haierductless.com)  
[www.Haierductlesshelp.com](http://www.Haierductlesshelp.com)

# Haier Arctic Multi Series Submittal

12,000 BTU/HR WALL MOUNTED INVERTER DRIVEN HEAT PUMP SYSTEM

## AW12TC2HDA

Job Name: \_\_\_\_\_

Purchaser: \_\_\_\_\_

Submitted To: \_\_\_\_\_

Construction: \_\_\_\_\_

Reference: \_\_\_\_\_

Approval: \_\_\_\_\_

Date: \_\_\_\_\_

Submitted By: \_\_\_\_\_

Unit: \_\_\_\_\_

Drawing #: \_\_\_\_\_



### Electrical Requirement

Power Supply	208/230V, 1 Phase, 60 HZ
Operating Voltage Range	187~253 VAC

### Performance

Rated Cooling Capacity	12,000 BTU
Rated Heating Capacity	13,000 BTU

### Piping

Flare Connections	1/4" (Liquid) 3/8" (Vapor)
-------------------	-------------------------------

### Indoor Unit

Uncrated Dimension (HxWxD)	11 7/8 x 33 3/4 x 7 3/4 in (301 x 856 x 196 mm)
Crated (HxWxD)	14 3/4 x 36 7/8 x 10 1/2 in (374 x 937 x 265 mm)
Cooling Indoor Sound Level dB (Turbo/High/Med/Low/Quiet)	42/38/34/31/26
Cooling Fan Motor RPM (Turbo/High/Med/Low/Quiet)	1250/1100/1000/900/750
Cooling Airflow CFM (Turbo/High/Med/Low/Quiet)	426/360/310/265/200
Heating Indoor Sound Level dB (Turbo/High/Med/Low/Quiet)	42/38/34/31/26
Heating Fan Motor RPM (Turbo/High/Med/Low/Quiet)	1200/1020/920/820/700
Heating Airflow CFM (Turbo/High/Med/Low/Quiet)	404/320/274/229/166
Motor Rating (HP)	0.04
Heat Exchanger Fin Type	Blue Fin
Weight (Ship/Net)	26.9/21.2 lbs

## Accessories

### Remote Controller

Ships with Standard Remote Control (WJ01X24721)

### Compatible Wired Controllers (no adapter required)

Simplified Wired Controller (QACT17A)

Programmable Wired Controller (YR-E16B)

### Built-in WiFi



For more information visit us:  
[www.Haierductless.com](http://www.Haierductless.com)  
[www.Haierductlesshelp.com](http://www.Haierductlesshelp.com)

# Haier Arctic Multi Series Submittal

18,000 BTU/HR WALL MOUNTED INVERTER DRIVEN HEAT PUMP SYSTEM

## AW18TC2HDA

Job Name: \_\_\_\_\_

Purchaser: \_\_\_\_\_

Submitted To: \_\_\_\_\_

Construction: \_\_\_\_\_

Reference: \_\_\_\_\_

Approval: \_\_\_\_\_

Date: \_\_\_\_\_

Submitted By: \_\_\_\_\_

Unit: \_\_\_\_\_

Drawing #: \_\_\_\_\_



### Electrical Requirement

Power Supply	208/230V, 1 Phase, 60 HZ
Operating Voltage Range	187~253 VAC

### Performance

Rated Cooling Capacity	18,000 BTU
Rated Heating Capacity	19,000 BTU

### Piping

Flare Connections	1/4" (Liquid)
	1/2" (Vapor)

### Indoor Unit

Uncrated Dimension (HxWxD)	12 7/8 x 39 3/8 x 8 3/4 in (327 x 999 x 223 mm)
Crated (HxWxD)	16 x 42 3/4 x 11 5/8 in (420 x 1100 x 313 mm)
Cooling Indoor Sound Level dB (Turbo/High/Med/Low/Quiet)	48/45/42/39/36
Cooling Fan Motor RPM (Turbo/High/Med/Low/Quiet)	1300/1150/1050/950/800
Cooling Airflow CFM (Turbo/High/Med/Low/Quiet)	596/532/478/422/340
Heating Indoor Sound Level dB (Turbo/High/Med/Low/Quiet)	48/45/42/39/36
Heating Fan Motor RPM (Turbo/High/Med/Low/Quiet)	1300/1100/1000/900/750
Heating Airflow CFM (Turbo/High/Med/Low/Quiet)	596/506/451/399/318
Motor Rating (HP)	0.054
Heat Exchanger Fin Type	Blue Fin
Weight (Ship/Net)	34.77/28.06 lbs

## Accessories

### Remote Controller

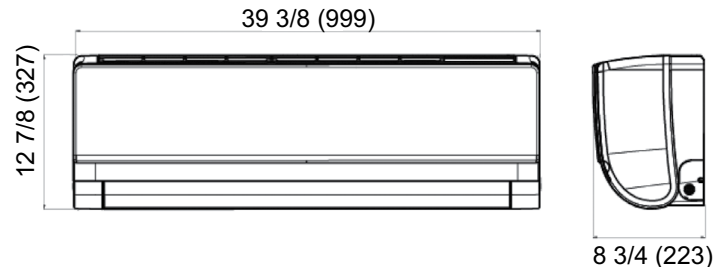
Ships with Standard Remote Control (WJ01X24721)

### Compatible Wired Controllers (no adapter required)

Simplified Wired Controller (QACT17A)

Programmable Wired Controller (YR-E16B)

### Built-in WiFi



For more information visit us:  
[www.Haierductless.com](http://www.Haierductless.com)  
[www.Haierductlesshelp.com](http://www.Haierductlesshelp.com)

# Haier Arctic Multi Series Submittal

24,000 BTU/HR WALL MOUNTED INVERTER DRIVEN HEAT PUMP SYSTEM

## AW24TC2HDA

Job Name: \_\_\_\_\_

Purchaser: \_\_\_\_\_

Submitted To: \_\_\_\_\_

Construction: \_\_\_\_\_

Reference: \_\_\_\_\_

Approval: \_\_\_\_\_

Date: \_\_\_\_\_

Submitted By: \_\_\_\_\_

Unit: \_\_\_\_\_

Drawing #: \_\_\_\_\_



### Electrical Requirement

Power Supply	208/230V, 1 Phase, 60 HZ
Operating Voltage Range	187~253 VAC

### Performance

Rated Cooling Capacity	22,000 BTU
Rated Heating Capacity	24,000 BTU

### Piping

Flare Connections	1/4" (Liquid)
	1/2" (Vapor)

### Indoor Unit

Uncrated Dimension (HxWxD)	13 1/4 x 43 7/8 x 9 in (337 x 1115 x 230 mm)
Crated (HxWxD)	16 1/2 x 46 3/4 x 11 7/8 in (432 x 1202 x 319 mm)
Cooling Indoor Sound Level dB (Turbo/High/Med/Low/Quiet)	50/47/44/41/38
Cooling Fan Motor RPM (Turbo/High/Med/Low/Quiet)	1300/1150/1050/950/800
Cooling Airflow CFM (Turbo/High/Med/Low/Quiet)	846/744/668/592/482
Heating Indoor Sound Level dB (Turbo/High/Med/Low/Quiet)	50/47/44/41/38
Heating Fan Motor RPM (Turbo/High/Med/Low/Quiet)	1300/1100/1000/900/750
Heating Airflow CFM (Turbo/High/Med/Low/Quiet)	846/707/631/560/451
Motor Rating (HP)	0.094
Heat Exchanger Fin Type	Blue Fin
Weight (Ship/Net)	42.99/34.88 lbs

## Accessories

### Remote Controller

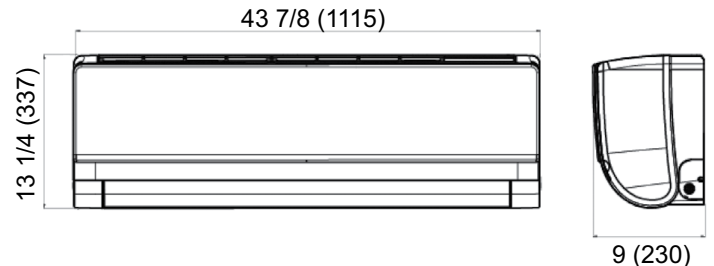
Ships with Standard Remote Control (WJ01X24721)

### Compatible Wired Controllers (no adapter required)

Simplified Wired Controller (QACT17A)

Programmable Wired Controller (YR-E16B)

### Built-in WiFi



For more information visit us:  
[www.Haierductless.com](http://www.Haierductless.com)  
[www.Haierductlesshelp.com](http://www.Haierductlesshelp.com)

# Haier Arctic Multi Series Submittal

9000 BTU/HR CASSETTE TYPE INDOOR

## AB09SC2VHA

Job Name: \_\_\_\_\_

Purchaser: \_\_\_\_\_

Submitted To: \_\_\_\_\_

Construction: \_\_\_\_\_

Reference: \_\_\_\_\_

Approval: \_\_\_\_\_

Date: \_\_\_\_\_

Submitted By: \_\_\_\_\_

Unit: \_\_\_\_\_

Drawing #: \_\_\_\_\_



### Electrical Requirement

Power Supply	208/230V, 1 Phase, 60 HZ
Operating Voltage Range	187~253 VAC

### Performance

Rated Cooling Capacity	9,000 BTU
Rated Heating Capacity	10,000 BTU

### Piping

Flare Connections	1/4" (Liquid) 3/8" (Vapor)
-------------------	-------------------------------

## Accessories

### Remote Controller

Ships with Standard Remote Control (WJ01X24721)

### Compatible Wired Controllers

Simplified Wired Controller (QACT17A)

Programmable Wired Controller (YR-E16B)

### Panel

PB-700KB is required to complete the installation and it must be ordered separately.

### Indoor Unit

Chassis Uncrated Dimension (HxWxD)	10 1/4 x 22 1/2 x 22 1/2 in (260 x 570 x 570 mm)
Chassis Crated (HxWxD)	15 x 28 1/4 x 26 3/4 in (380 x 718 x 680 mm)
Panel Uncrated Dimension (HxWxD)	2 3/8 x 27 1/2 x 27 1/2 in (60 x 700 x 700 mm)
Panel Crated (HxWxD)	4 1/2 x 29 1/8 x 29 1/2 in (115 x 740 x 750 mm)
Cooling Indoor Sound Level dB (Turbo/High/Med/Low/Quiet)	42/40/36/32/25
Cooling Fan Motor RPM (Turbo/High/Med/Low/Quiet)	830/760/690/620/560
Cooling Airflow CFM (Turbo/High/Med/Low/Quiet)	410/365/305/265/205
Heating Indoor Sound Level dB (Turbo/High/Med/Low/Quiet)	42/40/36/32/25
Heating Fan Motor RPM (Turbo/High/Med/Low/Quiet)	830/760/690/620/560
Heating Airflow CFM (Turbo/High/Med/Low/Quiet)	410/365/305/265/205
Motor Rating (HP)	0.033
Heat Exchanger Fin Type	Blue Fin
Condensate Pump	Included - 47.2 in Lift
Weight (Ship/Net)	46.3/37.5 lbs



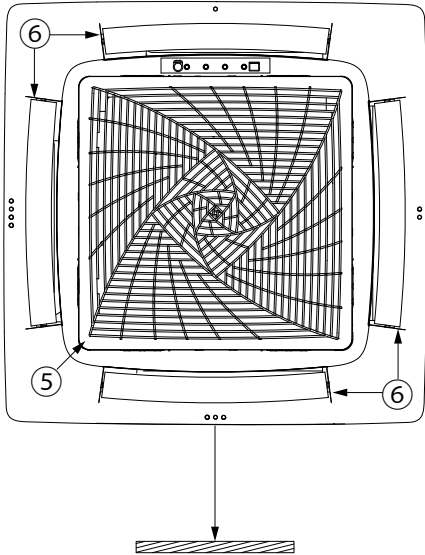
For more information visit us:  
[www.Haierductless.com](http://www.Haierductless.com)  
[www.Haierductlesshelp.com](http://www.Haierductlesshelp.com)



# Haier Arctic Multi Series Submittal

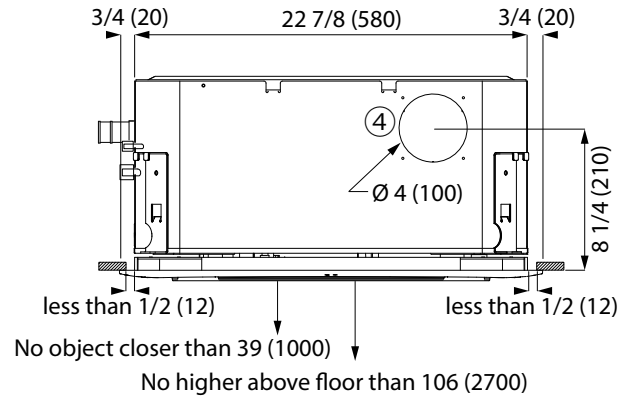
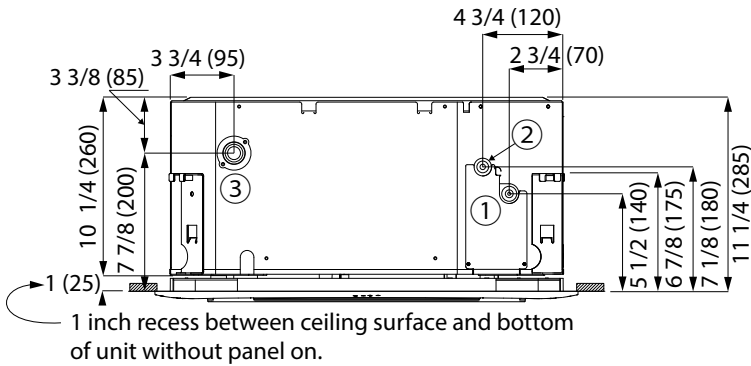
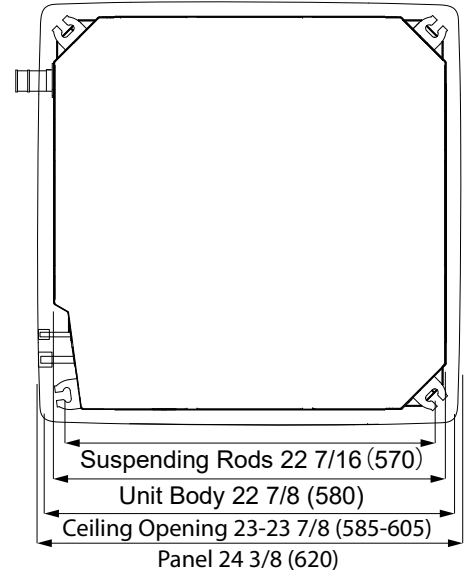
9000 BTU/HR CASSETTE TYPE INDOOR

**AB09SC2VHA**



More than 59 (1500) to wall on all sides

#	Part Name
1	Vapor Pipe
2	Liquid Pipe
3	Drain Pump Outlet
4	Fresh Air Inlet
5	Air Return Grille
6	Air Supply



# Haier Arctic Multi Series Submittal

12000 BTU/HR CASSETTE TYPE INDOOR

## AB12SC2VHA

Job Name: \_\_\_\_\_

Purchaser: \_\_\_\_\_

Submitted To: \_\_\_\_\_

Construction: \_\_\_\_\_

Reference: \_\_\_\_\_

Approval: \_\_\_\_\_

Date: \_\_\_\_\_

Submitted By: \_\_\_\_\_

Unit: \_\_\_\_\_

Drawing #: \_\_\_\_\_



### Electrical Requirement

Power Supply	208/230V, 1 Phase, 60 HZ
Operating Voltage Range	187~253 VAC

### Performance

Rated Cooling Capacity	12,000 BTU
Rated Heating Capacity	13,000 BTU

### Piping

Flare Connections	1/4" (Liquid) 3/8" (Vapor)
-------------------	-------------------------------

## Accessories

### Remote Controller

Ships with Standard Remote Control (WJ01X24721)

### Compatible Wired Controllers

Simplified Wired Controller (QACT17A)

Programmable Wired Controller (YR-E16B)

### Panel

PB-700KB is required to complete the installation and it must be ordered separately

### Indoor Unit

Chassis Uncrated Dimension (HxWxD)	10 1/4 x 22 1/2 x 22 1/2 in (260 x 570 x 570 mm)
Chassis Crated (HxWxD)	15 x 28 1/4 x 26 3/4 in (380 x 718 x 680 mm)
Panel Uncrated Dimension (HxWxD)	2 3/8 x 27 1/2 x 27 1/2 in (60 x 700 x 700 mm)
Panel Crated (HxWxD)	4 1/2 x 29 1/8 x 29 1/2 in (115 x 740 x 750 mm)
Cooling Indoor Sound Level dB (Turbo/High/Med/Low/Quiet)	42/40/36/32/25
Cooling Fan Motor RPM (Turbo/High/Med/Low/Quiet)	830/760/690/620/560
Cooling Airflow CFM (Turbo/High/Med/Low/Quiet)	410/365/305/265/205
Heating Indoor Sound Level dB (Turbo/High/Med/Low/Quiet)	42/40/36/32/25
Heating Fan Motor RPM (Turbo/High/Med/Low/Quiet)	830/760/690/620/560
Heating Airflow CFM (Turbo/High/Med/Low/Quiet)	410/365/305/265/205
Motor Rating (HP)	0.033
Heat Exchanger Fin Type	Blue Fin
Condensate Pump	Included - 47.2 in Lift
Weight (Ship/Net)	48.5/40.8 lbs

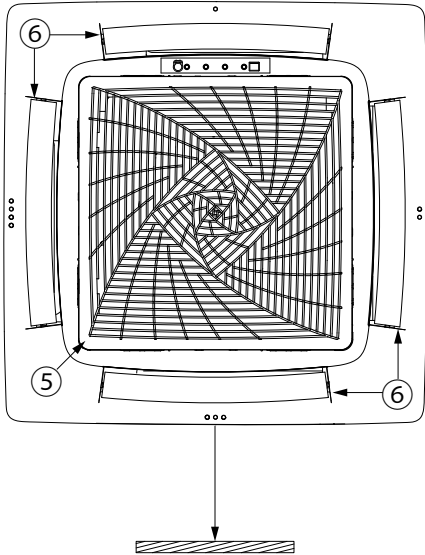


For more information visit us:  
[www.Haierductless.com](http://www.Haierductless.com)  
[www.Haierductlesshelp.com](http://www.Haierductlesshelp.com)

# Haier Arctic Multi Series Submittal

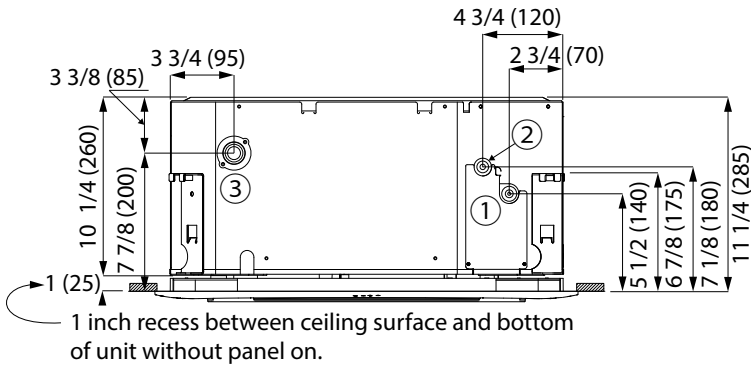
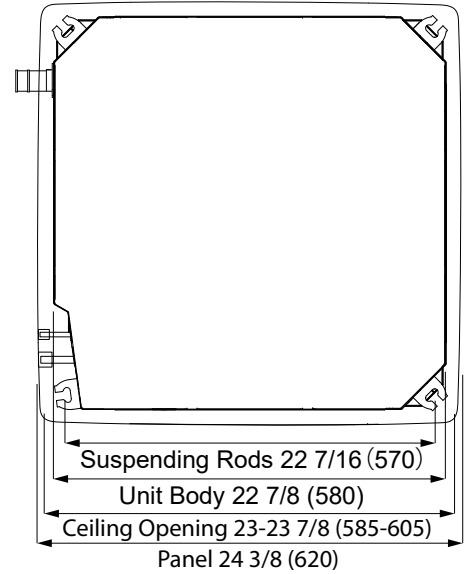
12000 BTU/HR CASSETTE TYPE INDOOR

## AB12SC2VHA

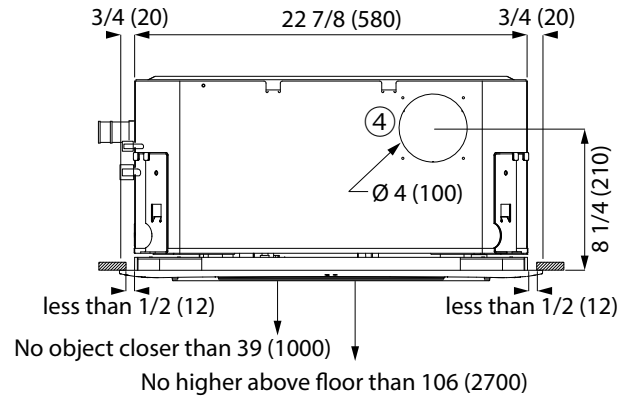


More than 59 (1500) to wall on all sides

#	Part Name
1	Vapor Pipe
2	Liquid Pipe
3	Drain Pump Outlet
4	Fresh Air Inlet
5	Air Return Grille
6	Air Supply



1 inch recess between ceiling surface and bottom of unit without panel on.



# Haier Arctic Multi Series Submittal

18000 BTU/HR CASSETTE TYPE INDOOR

## AB18SC2VHA

Job Name: \_\_\_\_\_

Purchaser: \_\_\_\_\_

Submitted To: \_\_\_\_\_

Construction: \_\_\_\_\_

Reference: \_\_\_\_\_

Approval: \_\_\_\_\_

Date: \_\_\_\_\_

Submitted By: \_\_\_\_\_

Unit: \_\_\_\_\_

Drawing #: \_\_\_\_\_



### Electrical Requirement

Power Supply	208/230V, 1 Phase, 60 HZ
Operating Voltage Range	187~253 VAC

### Performance

Rated Cooling Capacity	18,000 BTU
Rated Heating Capacity	19,000 BTU

### Piping

Flare Connections	1/4" (Liquid)
	1/2" (Vapor)

## Accessories

### Remote Controller

Ships with Standard Remote Control (WJ01X24721)

### Compatible Wired Controllers

Simplified Wired Controller (QACT17A)

Programmable Wired Controller (YR-E16B)

### Panel

PB-700KB is required to complete the installation and it must be ordered separately

### Indoor Unit

Chassis Uncrated Dimension (HxWxD)	10 1/4 x 22 1/2 x 22 1/2 in (260 x 570 x 570 mm)
Chassis Crated (HxWxD)	15 x 28 1/4 x 26 3/4 in (380 x 718 x 680 mm)
Panel Uncrated Dimension (HxWxD)	2 3/8 x 27 1/2 x 27 1/2 in (60 x 700 x 700 mm)
Panel Crated (HxWxD)	4 1/2 x 29 1/8 x 29 1/2 in (115 x 740 x 750 mm)
Cooling Indoor Sound Level dB (Turbo/High/Med/Low/Quiet)	45/42/40/36/32
Cooling Fan Motor RPM (Turbo/High/Med/Low/Quiet)	850/800/760/680/590
Cooling Airflow CFM (Turbo/High/Med/Low/Quiet)	470/410/365/295/252
Heating Indoor Sound Level dB (Turbo/High/Med/Low/Quiet)	45/42/40/36/32
Heating Fan Motor RPM (Turbo/High/Med/Low/Quiet)	850/800/760/680/590
Heating Airflow CFM (Turbo/High/Med/Low/Quiet)	470/410/365/295/252
Motor Rating (HP)	0.033
Heat Exchanger Fin Type	Blue Fin
Condensate Pump	Included - 47.2 in Lift
Weight (Ship/Net)	48.5/40.8 lbs

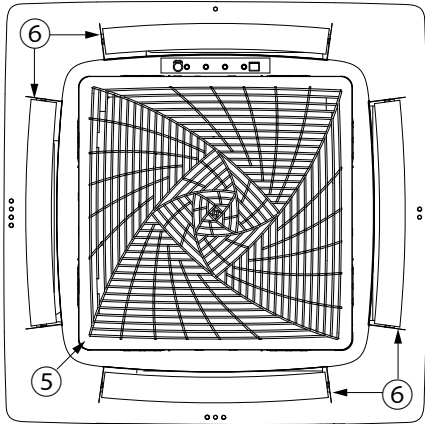


For more information visit us:  
[www.Haierductless.com](http://www.Haierductless.com)  
[www.Haierductlesshelp.com](http://www.Haierductlesshelp.com)

# Haier Arctic Multi Series Submittal

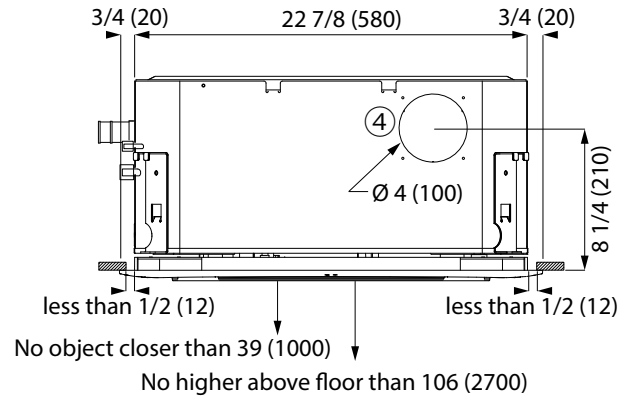
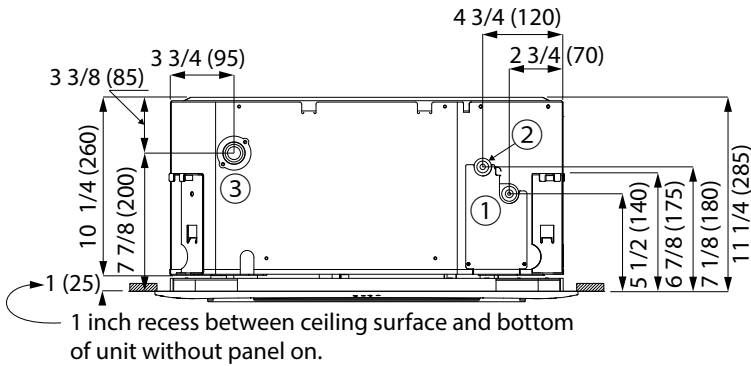
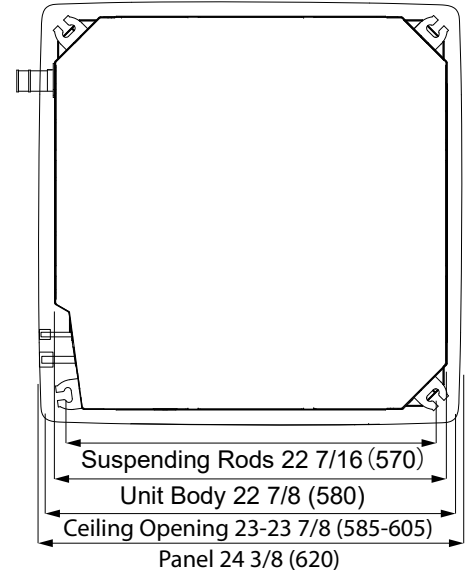
18000 BTU/HR CASSETTE TYPE INDOOR

## AB18SC2VHA



#	Part Name
1	Vapor Pipe
2	Liquid Pipe
3	Drain Pump Outlet
4	Fresh Air Inlet
5	Air Return Grille
6	Air Supply

More than 59 (1500) to wall on all sides



# Haier Arctic Multi Series Submittal

24,000 BTU/HR CASSETTE TYPE INDOOR

## AL24LP2VHA

Job Name: \_\_\_\_\_

Purchaser: \_\_\_\_\_

Submitted To: \_\_\_\_\_

Construction: \_\_\_\_\_

Reference: \_\_\_\_\_

Approval: \_\_\_\_\_

Date: \_\_\_\_\_

Submitted By: \_\_\_\_\_

Unit: \_\_\_\_\_

Drawing #: \_\_\_\_\_



### Electrical Requirement

Power Supply	208/230V, 1 Phase, 60 HZ
Operating Voltage Range	187~253 VAC

### Performance

Rated Cooling Capacity	24,000 BTU
Rated Heating Capacity	27,300 BTU

### Piping

Flare Connections	3/8" (Liquid)
	5/8" (Vapor)

## Accessories

### Remote Controller

Ships with Large Cassette Remote (YR-HBS01)

### Compatible Wired Controllers

Simplified Wired Controller (QACT17A)

Programmable Wired Controller (YR-E16B)

### Panel

PB-950KB

### Indoor Unit

Chassis Uncrated Dimension (HxWxD)	9 5/8 x 33 1/8 x 33 1/8 in (246 x 840 x 840 mm)
Chassis Crated (HxWxD)	12 1/4 x 39 x 39 in (310 x 990 x 990 mm)
Panel Uncrated Dimension (HxWxD)	2 x 37 3/8 x 37 3/8 (50 x 950 x 950 mm)
Panel Crated (HxWxD)	4 3/8 x 39 3/8 x 39 3/8 (110 x 1000 x 1000 mm)
Cooling Indoor Sound Level dB (Turbo/High/Med/Low/Quiet)	38/35/32/29
Cooling Fan Motor RPM (Turbo/High/Med/Low/Quiet)	630/610/550/530/400
Cooling Airflow CFM (Turbo/High/Med/Low/Quiet)	740/630/480/400
Heating Indoor Sound Level dB (Turbo/High/Med/Low/Quiet)	38/35/32/29
Heating Fan Motor RPM (Turbo/High/Med/Low/Quiet)	630/610/550/530/400
Heating Airflow CFM (Turbo/High/Med/Low/Quiet)	740/630/480/400
Motor Rating (HP)	0.0161
Heat Exchanger Fin Type	Blue Fin
Condensate Pump	Included - 47.2 in Lift
Weight (Ship/Net)	79.4/68.3 lbs

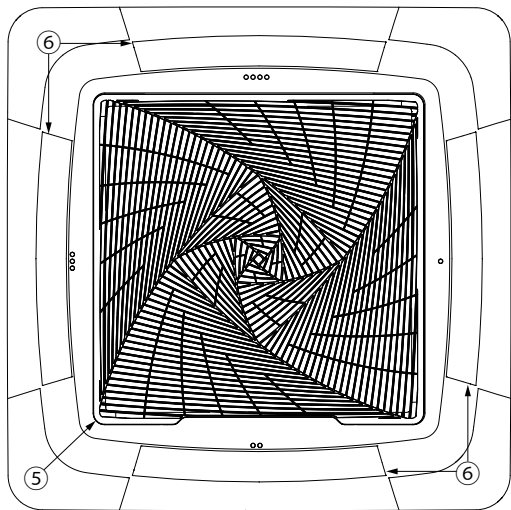


For more information visit us:  
[www.Haierductless.com](http://www.Haierductless.com)  
[www.Haierductlesshelp.com](http://www.Haierductlesshelp.com)

# Haier Arctic Multi Series Submittal

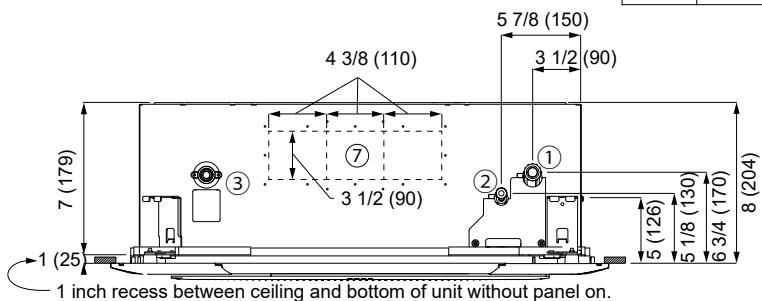
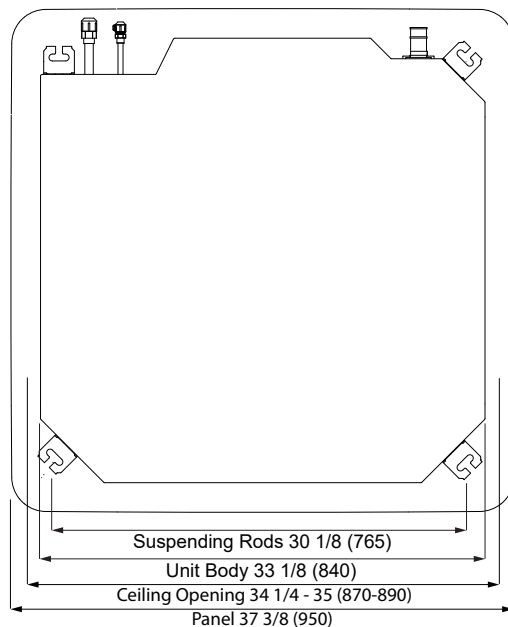
24,000 BTU/HR CASSETTE TYPE INDOOR

**AL24LP2VHA**

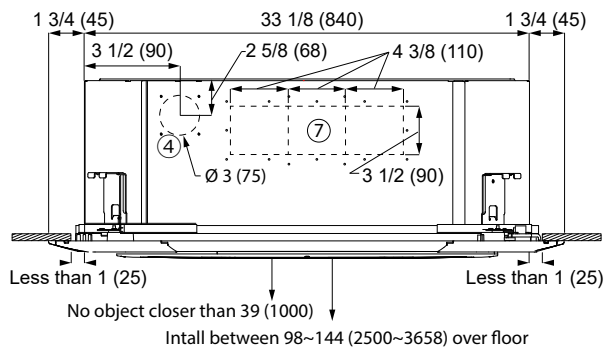


More than 59 (1500) to wall on all sides

#	Part Name
1	Vapor Pipe
2	Liquid Pipe
3	Drain Pump Outlet
4	Fresh Air Inlet
5	Air Return Grille
6	Air Supply
7	Auxiliary Air Supply



1 inch recess between ceiling and bottom of unit without panel on.



No object closer than 39 (1000)  
Intall between 98~144 (2500~3658) over floor

# Haier Arctic Multi Series Submittal

7000 BTU/HR SLIM DUCT TYPE INDOOR

## AD07SL2VHB

Job Name: \_\_\_\_\_

Purchaser: \_\_\_\_\_

Submitted To: \_\_\_\_\_

Construction: \_\_\_\_\_

Reference: \_\_\_\_\_

Approval: \_\_\_\_\_

Date: \_\_\_\_\_

Submitted By: \_\_\_\_\_

Unit: \_\_\_\_\_

Drawing #: \_\_\_\_\_



### Electrical Requirement

Power Supply	208/230V, 1 Phase, 60 HZ
Operating Voltage Range	187~253 VAC

### Performance

Rated Cooling Capacity	7,000 BTU
Rated Heating Capacity	8,000 BTU

### Piping

Flare Connections	1/4" (Liquid) 3/8" (Vapor)
-------------------	-------------------------------

## Accessories

### Wired Controller

Ships with the Touch Wall Controller (YR-E17)

### Compatible Wired Controllers

Simplified Wired Controller (QACT17A)

Programmable Wired Controller (YR-E16B)

### Grilles

Return Grille - PAD0890RA

Supply Grille - PAD0890SA

### Indoor Unit

Uncrated Dimension (HxWxD)	7 1/4 x 33 1/2 x 16 1/2 in (185 x 850 x 420 mm)
Crated (HxWxD)	10 3/8 x 40 3/4 x 21 1/4 in (265 x 1035 x 540 mm)
Maximum ESP (IWC)	0.16
Cooling Indoor Sound Level dB (Turbo/High/Med/Low/Quiet)	35/33/29/26/21
Cooling Fan Motor RPM (Turbo/High/Med/Low/Quiet)	900/850/750/650/600
Cooling Airflow CFM (Turbo/High/Med/Low/Quiet)	353/312/270/230/188
Heating Indoor Sound Level dB (Turbo/High/Med/Low/Quiet)	35/33/29/26/21
Heating Fan Motor RPM (Turbo/High/Med/Low/Quiet)	900/850/750/650/600
Heating Airflow CFM (Turbo/High/Med/Low/Quiet)	353/312/270/230/188
Motor Rating (HP)	0.066
Heat Exchanger Fin Type	Blue Fin
Condensate Pump	Included - 27.5 in Lift
Weight (Ship/Net)	47.2/36.8 lbs

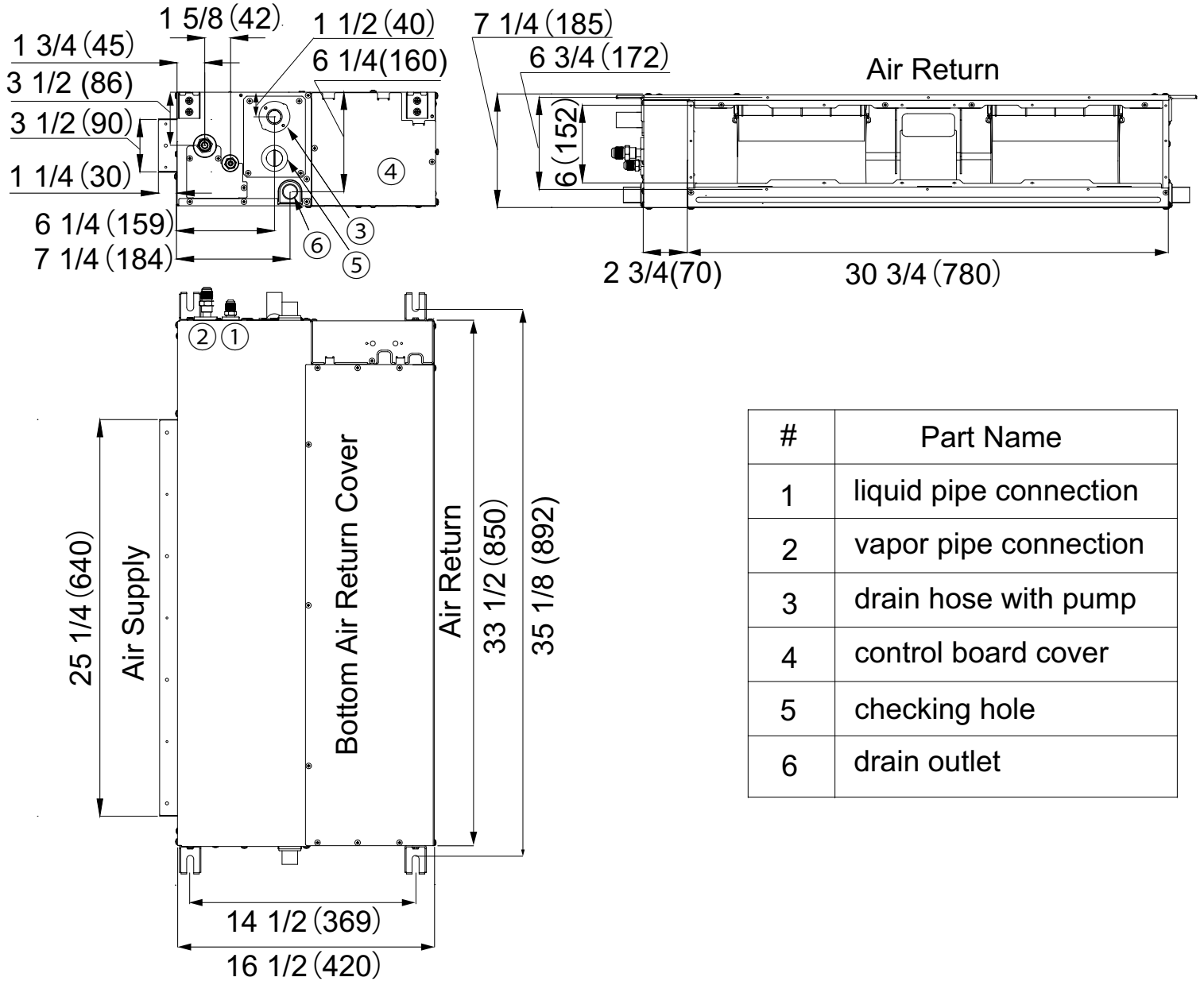


For more information visit us:  
[www.Haierductless.com](http://www.Haierductless.com)  
[www.Haierductlesshelp.com](http://www.Haierductlesshelp.com)



7000 BTU/HR SLIM DUCT TYPE INDOOR

## AD07SL2VHB



#	Part Name
1	liquid pipe connection
2	vapor pipe connection
3	drain hose with pump
4	control board cover
5	checking hole
6	drain outlet

# Haier Arctic Multi Series Submittal

9000 BTU/HR SLIM DUCT TYPE INDOOR

## AD09SL2VHB

Job Name: \_\_\_\_\_

Purchaser: \_\_\_\_\_

Submitted To: \_\_\_\_\_

Construction: \_\_\_\_\_

Reference: \_\_\_\_\_

Approval: \_\_\_\_\_

Date: \_\_\_\_\_

Submitted By: \_\_\_\_\_

Unit: \_\_\_\_\_

Drawing #: \_\_\_\_\_



### Electrical Requirement

Power Supply	208/230V, 1 Phase, 60 HZ
Operating Voltage Range	187~253 VAC

### Performance

Rated Cooling Capacity	9,000 BTU
Rated Heating Capacity	10,000 BTU

### Piping

Flare Connections	1/4" (Liquid) 3/8" (Vapor)
-------------------	-------------------------------

## Accessories

### Wired Controller

Ships with the Touch Wall Controller (YR-E17)

### Compatible Wired Controllers

Simplified Wired Controller (QACT17A)

Programmable Wired Controller (YR-E16B)

### Grilles

Return Grille - PAD0890RA

Supply Grille - PAD0890SA

### Indoor Unit

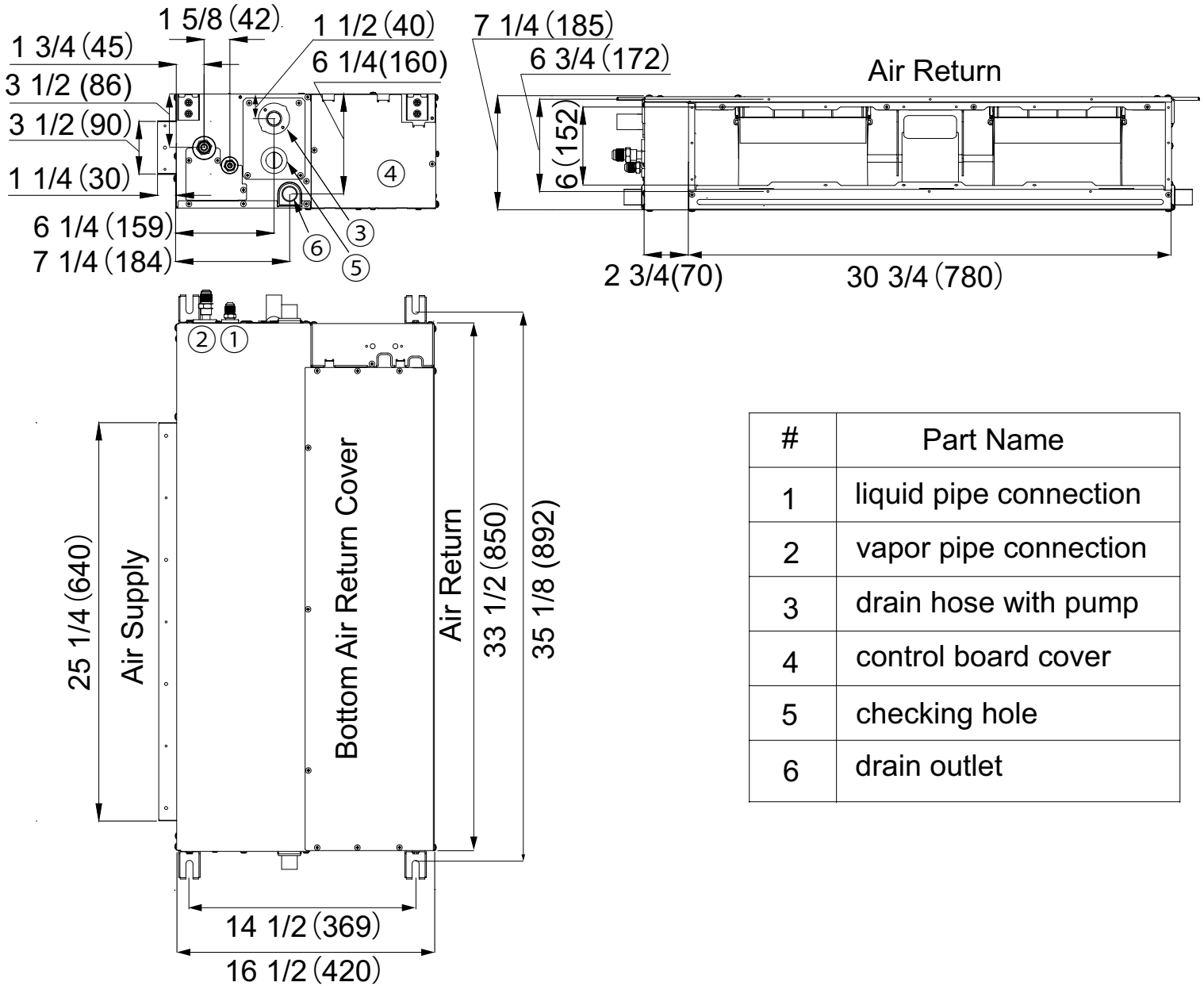
Uncrated Dimension (HxWxD)	7 1/4 x 33 1/2 x 16 1/2 in (185 x 850 x 420 mm)
Crated (HxWxD)	10 3/8 x 40 3/4 x 21 1/4 in (265 x 1035 x 540 mm)
Maximum ESP (IWC)	0.16
Cooling Indoor Sound Level dB (Turbo/High/Med/Low/Quiet)	35/33/29/26/22
Cooling Fan Motor RPM (Turbo/High/Med/Low/Quiet)	900/850/750/650/600
Cooling Airflow CFM (Turbo/High/Med/Low/Quiet)	353/312/270/230/188
Heating Indoor Sound Level dB (Turbo/High/Med/Low/Quiet)	35/33/29/26/22
Heating Fan Motor RPM (Turbo/High/Med/Low/Quiet)	900/850/750/650/600
Heating Airflow CFM (Turbo/High/Med/Low/Quiet)	353/312/270/230/188
Motor Rating (HP)	0.066
Heat Exchanger Fin Type	Blue Fin
Condensate Pump	Included - 27.5 in Lift
Weight (Ship/Net)	47.2/36.8 lbs



For more information visit us:  
[www.Haierductless.com](http://www.Haierductless.com)  
[www.Haierductlesshelp.com](http://www.Haierductlesshelp.com)

9000 BTU/HR SLIM DUCT TYPE INDOOR

## AD09SL2VHB



#	Part Name
1	liquid pipe connection
2	vapor pipe connection
3	drain hose with pump
4	control board cover
5	checking hole
6	drain outlet

# Haier Arctic Multi Series Submittal

12000 BTU/HR SLIM DUCT TYPE INDOOR

## AD12SL2VHB

Job Name: \_\_\_\_\_

Purchaser: \_\_\_\_\_

Submitted To: \_\_\_\_\_

Construction: \_\_\_\_\_

Reference: \_\_\_\_\_

Approval: \_\_\_\_\_

Date: \_\_\_\_\_

Submitted By: \_\_\_\_\_

Unit: \_\_\_\_\_

Drawing #: \_\_\_\_\_



### Electrical Requirement

Power Supply	208/230V, 1 Phase, 60 HZ
Operating Voltage Range	187~253 VAC

### Performance

Rated Cooling Capacity	12,000 BTU
Rated Heating Capacity	13,000 BTU

### Piping

Flare Connections	1/4" (Liquid) 3/8" (Vapor)
-------------------	-------------------------------

## Accessories

### Wired Controller

Ships with the Touch Wall Controller (YR-E17)

### Compatible Wired Controllers

Simplified Wired Controller (QACT17A)  
Programmable Wired Controller (YR-E16B)

### Grilles

Return Grille - PAD0890RA  
Supply Grille - PAD0890SA

### Indoor Unit

Uncrated Dimension (HxWxD)	7 1/4 x 33 1/2 x 16 1/2 in (185 x 850 x 420 mm)
Crated (HxWxD)	10 3/8 x 40 3/4 x 21 1/4 in (265 x 1035 x 540 mm)
Maximum ESP (IWC)	0.16
Cooling Indoor Sound Level dB (Turbo/High/Med/Low/Quiet)	38/35/29/26/23
Cooling Fan Motor RPM (Turbo/High/Med/Low/Quiet)	1000/950/850/750/700
Cooling Airflow CFM (Turbo/High/Med/Low/Quiet)	400/353/282/247/218
Heating Indoor Sound Level dB (Turbo/High/Med/Low/Quiet)	38/35/29/26/23
Heating Fan Motor RPM (Turbo/High/Med/Low/Quiet)	1000/950/850/750/700
Heating Airflow CFM (Turbo/High/Med/Low/Quiet)	400/353/282/247/218
Motor Rating (HP)	0.085
Heat Exchanger Fin Type	Blue Fin
Condensate Pump	Included - 27.5 in Lift
Weight (Ship/Net)	47.2/36.8 lbs

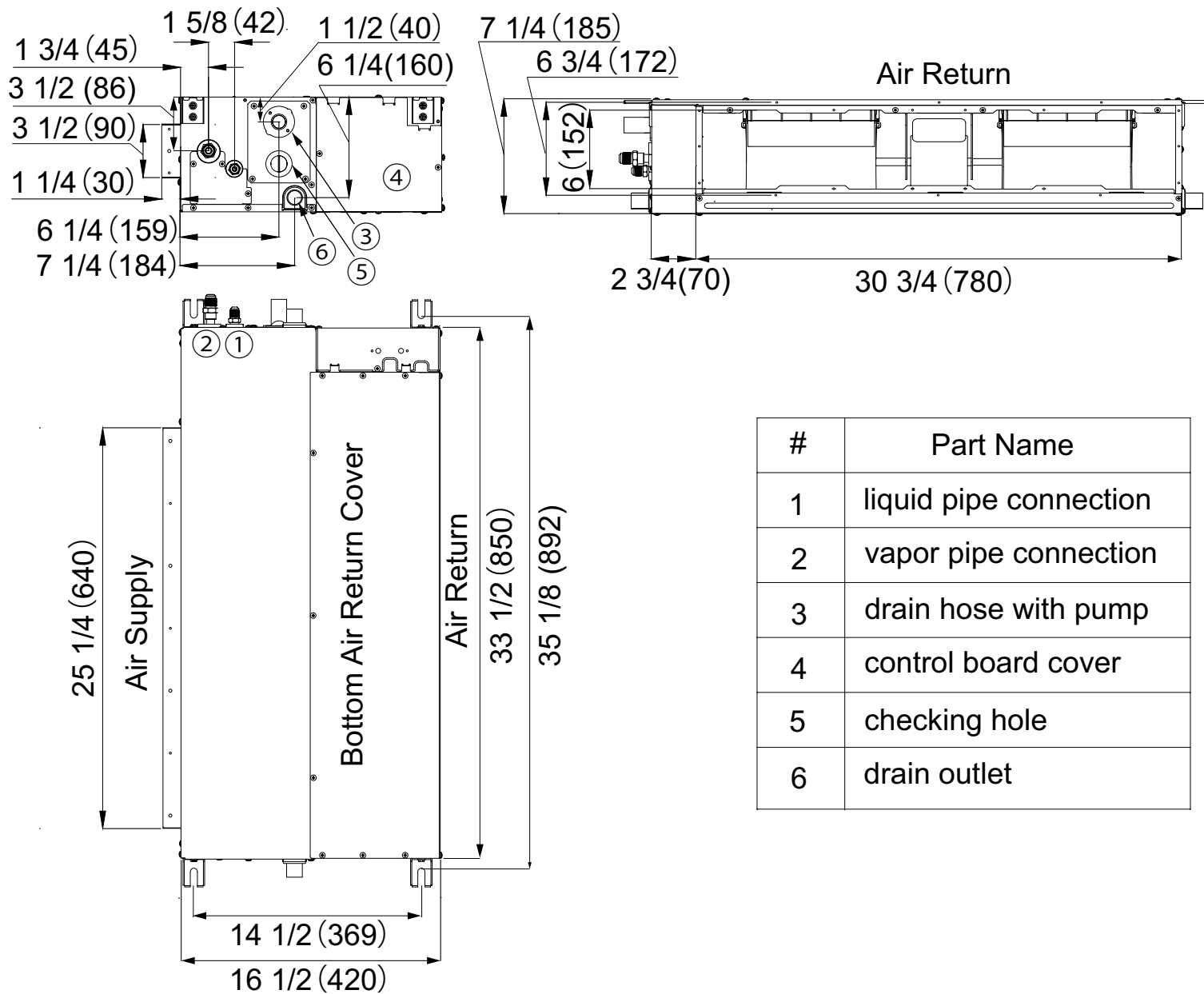


For more information visit us:  
[www.Haierductless.com](http://www.Haierductless.com)  
[www.Haierductlesshelp.com](http://www.Haierductlesshelp.com)

# Haier Arctic Multi Series Submittal

12000 BTU/HR SLIM DUCT TYPE INDOOR

## AD12SL2VHB



#	Part Name
1	liquid pipe connection
2	vapor pipe connection
3	drain hose with pump
4	control board cover
5	checking hole
6	drain outlet

# Haier Arctic Multi Series Submittal

18000 BTU/HR SLIM DUCT TYPE INDOOR

## AD18SL2VHB

Job Name: \_\_\_\_\_

Purchaser: \_\_\_\_\_

Submitted To: \_\_\_\_\_

Construction: \_\_\_\_\_

Reference: \_\_\_\_\_

Approval: \_\_\_\_\_

Date: \_\_\_\_\_

Submitted By: \_\_\_\_\_

Unit: \_\_\_\_\_

Drawing #: \_\_\_\_\_



### Electrical Requirement

Power Supply	208/230V, 1 Phase, 60 HZ
Operating Voltage Range	187~253 VAC

### Performance

Rated Cooling Capacity	18,000 BTU
Rated Heating Capacity	19,000 BTU

### Piping

Flare Connections	1/4" (Liquid)
	1/2" (Vapor)

## Accessories

### Wired Controller

Ships with the Touch Wall Controller (YR-E17)

### Compatible Wired Controllers

Simplified Wired Controller (QACT17A)

Programmable Wired Controller (YR-E16B)

### Grilles

Return Grille - PAD1210RA

Supply Grille - PAD1210SA

### Indoor Unit

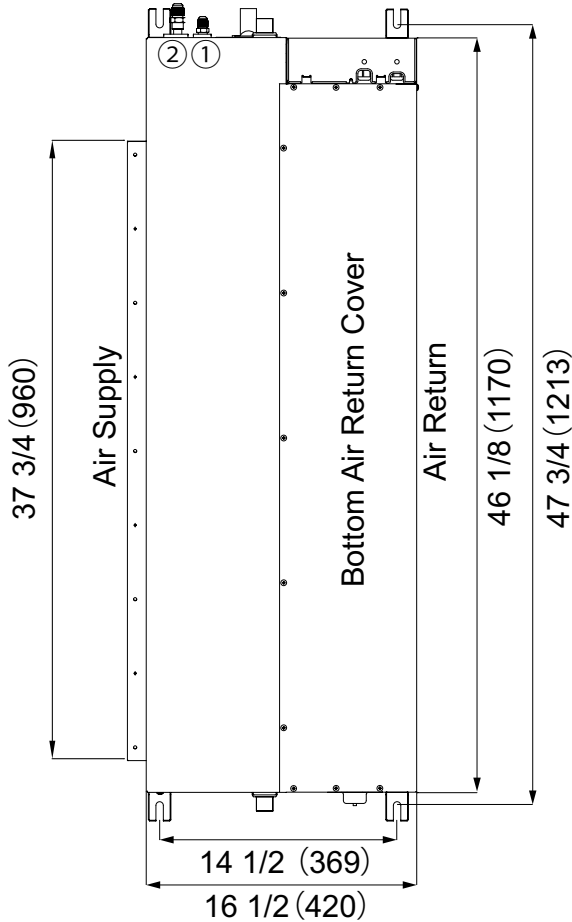
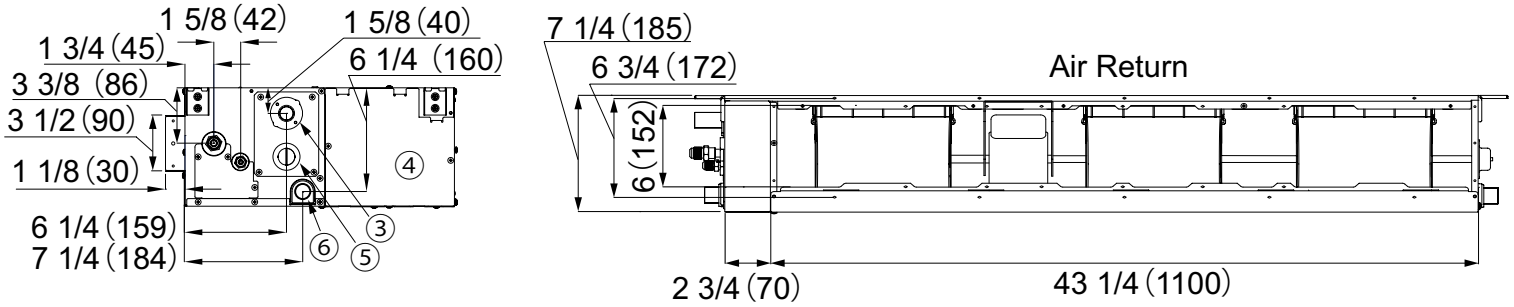
Uncrated Dimension (HxWxD)	7 1/4 x 33 1/2 x 16 1/2 in (185 x 850 x 420 mm)
Crated (HxWxD)	10 3/8 x 40 3/4 x 21 1/4 in (265 x 1035 x 540 mm)
Maximum ESP (IWC)	0.16
Cooling Indoor Sound Level dB (Turbo/High/Med/Low/Quiet)	31/29/23/29/25
Cooling Fan Motor RPM (Turbo/High/Med/Low/Quiet)	1000/950/850/750/700
Cooling Airflow CFM (Turbo/High/Med/Low/Quiet)	540/500/447/365/306
Heating Indoor Sound Level dB (Turbo/High/Med/Low/Quiet)	31/29/23/29/25
Heating Fan Motor RPM (Turbo/High/Med/Low/Quiet)	1000/950/850/750/700
Heating Airflow CFM (Turbo/High/Med/Low/Quiet)	540/500/447/365/306
Motor Rating (HP)	0.114
Heat Exchanger Fin Type	Blue Fin
Condensate Pump	Included - 27.5 in Lift
Weight (Ship/Net)	62.4/48.5 lbs



For more information visit us:  
[www.Haierductless.com](http://www.Haierductless.com)  
[www.Haierductlesshelp.com](http://www.Haierductlesshelp.com)

18000 BTU/HR SLIM DUCT TYPE INDOOR

## AD18SL2VHB



#	Part Name
1	liquid pipe connection
2	vapor pipe connection
3	drain hose with pump
4	control board cover
5	checking hole
6	drain outlet

# Haier Arctic Multi Series Submittal

24000 BTU/HR HIGH STATIC DUCTED INDOOR

## AM24LP2VHA

Job Name: \_\_\_\_\_

Purchaser: \_\_\_\_\_

Submitted To: \_\_\_\_\_

Construction: \_\_\_\_\_

Reference: \_\_\_\_\_

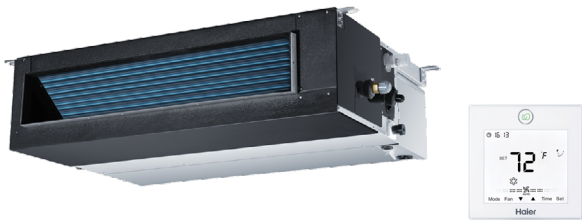
Approval: \_\_\_\_\_

Date: \_\_\_\_\_

Submitted By: \_\_\_\_\_

Unit: \_\_\_\_\_

Drawing #: \_\_\_\_\_



### Electrical Requirement

Power Supply	208/230V, 1 Phase, 60 HZ
Operating Voltage Range	187~253 VAC

### Performance

Rated Cooling Capacity	24,000 BTU
Rated Heating Capacity	26,500 BTU

### Piping

Flare Connections	3/8" (Liquid) 5/8" (Vapor)
-------------------	-------------------------------

### Indoor Unit

Uncrated Dimension (HxWxD)	9 7/8 x 41 3/8 x 28 3/8 in (250 x 1050 x 720 mm)
Crated (HxWxD)	13 3/8 x 46 1/8 x 33 7/8 in (340 x 1170 x 860 mm)
Maximum ESP (IWC)	0.60
Airflow CFM (Turbo/High/Med/Low/Quiet)	845/670/530/470
Indoor Sound Level dB (Turbo/High/Med/Low/Quiet)	38/35/32/29
Motor Rating (HP)	0.362
Heat Exchanger Fin Type	Blue Fin
Condensate Pump	Included - 27.5 in Lift
Weight (Ship/Net)	81.6/68.8 lbs

## Accessories

### Wired Controller

Ships with the Touch Wall Controller (YR-E17)

### Compatible Wired Controllers

Simplified Wired Controller (QACT17A)

Programmable Wired Controller (YR-E16B)

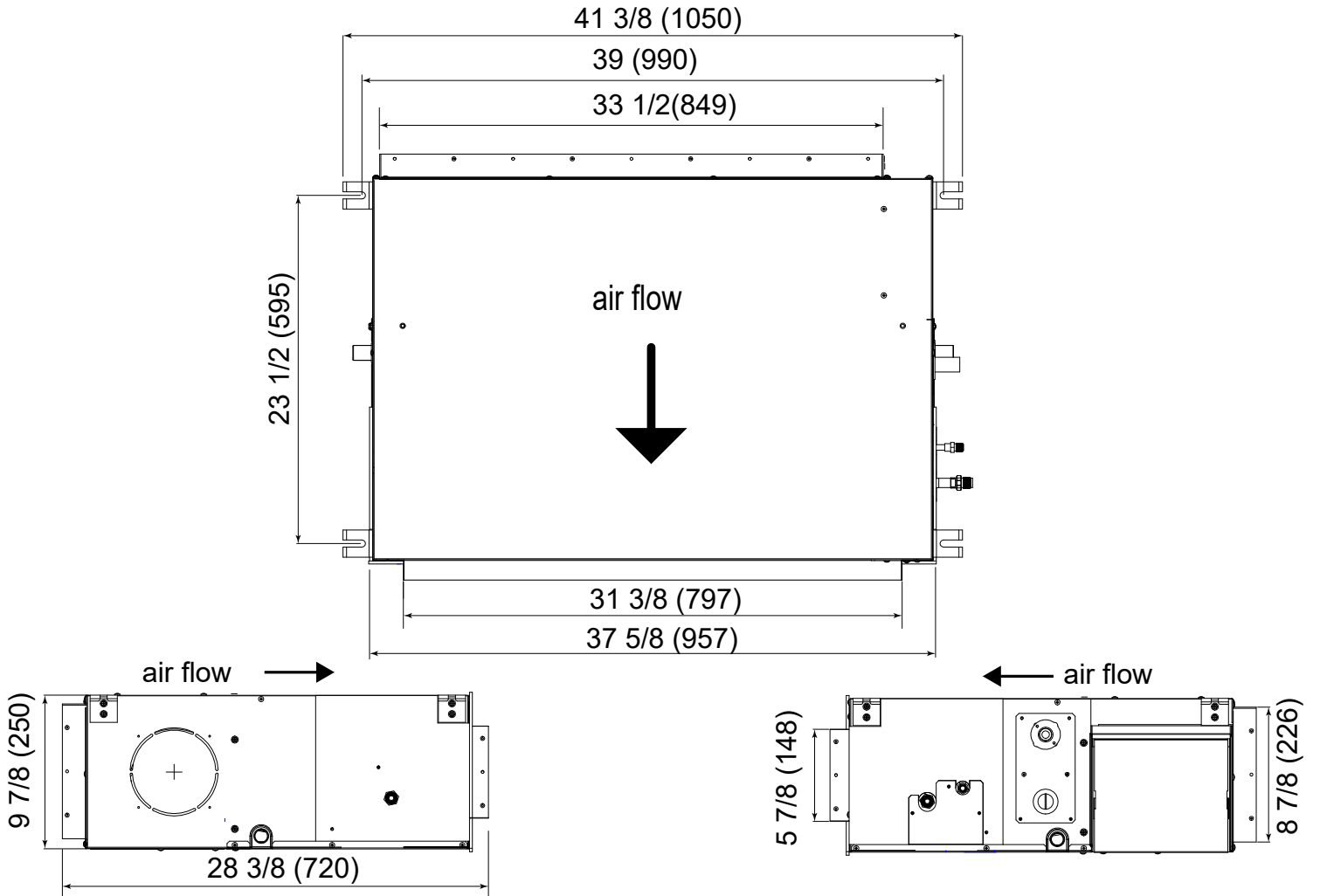


For more information visit us:  
[www.Haierductless.com](http://www.Haierductless.com)  
[www.Haierductlesshelp.com](http://www.Haierductlesshelp.com)



24000 BTU/HR SLIM DUCT TYPE INDOOR

**AM24LP2VHA**



# Haier Arctic Multi Series Submittal

9000 BTU/HR MID-STATIC DUCTED INDOOR

**USYM09UCDSA**

Job Name: \_\_\_\_\_

Purchaser: \_\_\_\_\_

Submitted To: \_\_\_\_\_

Construction: \_\_\_\_\_

Reference: \_\_\_\_\_

Approval: \_\_\_\_\_

Date: \_\_\_\_\_

Submitted By: \_\_\_\_\_

Unit: \_\_\_\_\_

Drawing #: \_\_\_\_\_



### Electrical Requirement

Power Supply	208/230V, 1 Phase, 60 HZ
Operating Voltage Range	187~253 VAC

### Performance

Rated Cooling Capacity	9,000 BTU
Rated Heating Capacity	10,000 BTU

### Piping

Flare Connections	1/4" (Liquid)
	3/8" (Vapor)
Drain Pipe	1 1/4"

## Accessories

### Wired Controller

Controller must be ordered separately

### Compatible With

Simplified Wired Controller (QACT17A)  
Programmable Wired Controller (YR-E16B)

### Built-in WiFi

### Supply Plenum

UAPT0912A

### Return MERV Filter Box

UAMFB0912A



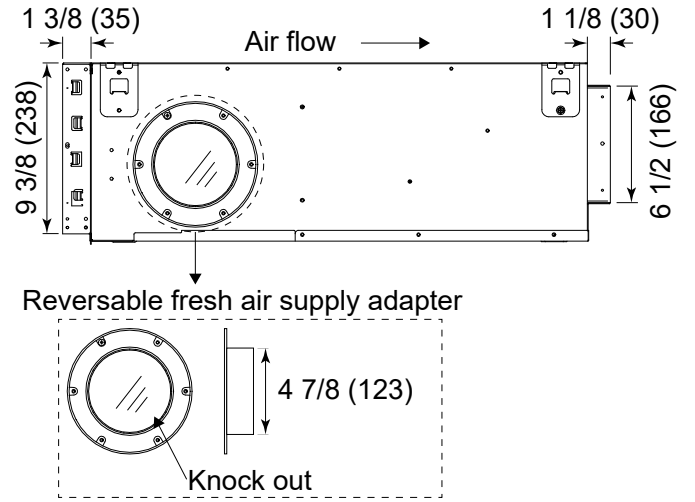
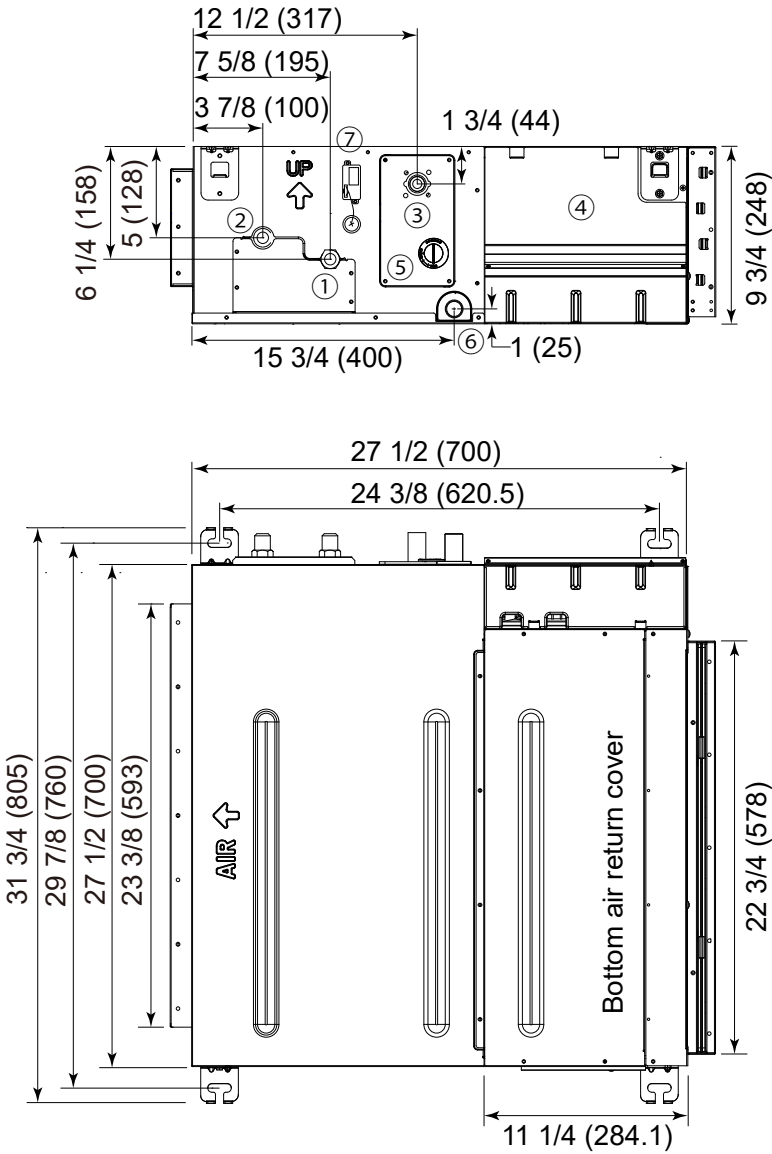
For more information visit us:  
[www.Haierductless.com](http://www.Haierductless.com)  
[www.Haierductlesshelp.com](http://www.Haierductlesshelp.com)

### Indoor Unit

Uncrated Dimension (HxWxD)	9 3/4 x 27 1/2 x 27 1/2 in (248 x 700 x 700 mm)
Crated (HxWxD)	13 1/4 x 37 1/2 x 35 1/2 in (340 x 950 x 900 mm)
Maximum ESP (IWC)	0.6
Cooling Indoor Sound Level dB (Turbo/High/Med/Low/Quiet)	44/41/38/35/32
Cooling Fan Motor RPM (Turbo/High/Med/Low/Quiet)	880/800/720/640/560
Cooling Airflow CFM (Turbo/High/Med/Low/Quiet)	424/353/294/235/176
Heating Indoor Sound Level dB (Turbo/High/Med/Low/Quiet)	44/41/38/35/32
Heating Fan Motor RPM (Turbo/High/Med/Low/Quiet)	880/800/720/640/560
Heating Airflow CFM (Turbo/High/Med/Low/Quiet)	424/353/294/235/176
Motor Rating (HP)	0.18
Heat Exchanger Fin Type	Blue Fin
Condensate Pump	Included - 39 in. Lift
Weight (Ship/Net)	57/66 lbs

9000 BTU/HR MID-STATIC DUCTED INDOOR

**USYM09UCDSA**



#	Description
1	Liquid pipe connection
2	Vapor pipe connection
3	Drain pump outlet
4	Control board cover
5	Inspection hole
6	Gravity drain outlet
7	WiFi module

# Haier Arctic Multi Series Submittal

12000 BTU/HR MID-STATIC DUCTED INDOOR

## USYM12UCDSA

Job Name: \_\_\_\_\_

Purchaser: \_\_\_\_\_

Submitted To: \_\_\_\_\_

Construction: \_\_\_\_\_

Reference: \_\_\_\_\_

Approval: \_\_\_\_\_

Date: \_\_\_\_\_

Submitted By: \_\_\_\_\_

Unit: \_\_\_\_\_

Drawing #: \_\_\_\_\_



### Electrical Requirement

Power Supply	208/230V, 1 Phase, 60 HZ
Operating Voltage Range	187~253 VAC

### Performance

Rated Cooling Capacity	12,000 BTU
Rated Heating Capacity	13,000 BTU

### Piping

Flare Connections	1/4" (Liquid)
	3/8" (Vapor)
Drain Pipe	1 1/4"

## Accessories

### Wired Controller

Controller must be ordered separately

### Compatible With

Simplified Wired Controller (QACT17A)  
Programmable Wired Controller (YR-E16B)

### Built-in WiFi

### Supply Plenum

UAPT0912A

### Return MERV Filter Box

UAMFB0912A



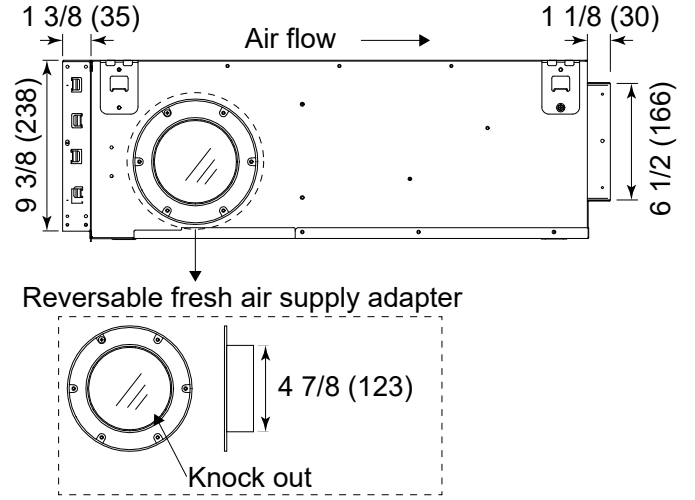
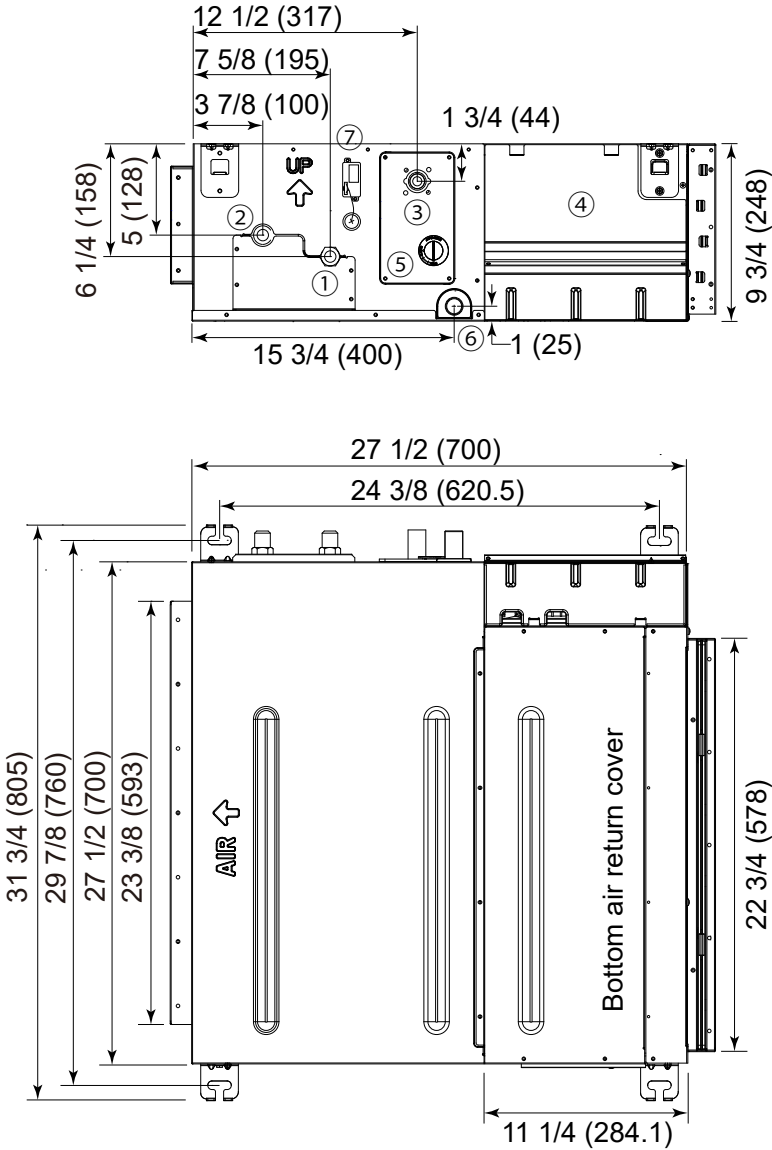
For more information visit us:  
[www.Haierductless.com](http://www.Haierductless.com)  
[www.Haierductlesshelp.com](http://www.Haierductlesshelp.com)

### Indoor Unit

Uncrated Dimension (HxWxD)	9 3/4 x 27 1/2 x 27 1/2 in (248 x 700 x 700 mm)
Crated (HxWxD)	13 1/4 x 37 1/2 x 35 1/2 in (340 x 950 x 900 mm)
Maximum ESP (IWC)	0.6
Cooling Indoor Sound Level dB (Turbo/High/Med/Low/Quiet)	47/44/41/38/35
Cooling Fan Motor RPM (Turbo/High/Med/Low/Quiet)	950/870/780/680/600
Cooling Airflow CFM (Turbo/High/Med/Low/Quiet)	494/424/353/294/235
Heating Indoor Sound Level dB (Turbo/High/Med/Low/Quiet)	47/44/41/38/35
Heating Fan Motor RPM (Turbo/High/Med/Low/Quiet)	950/880/800/720/640
Heating Airflow CFM (Turbo/High/Med/Low/Quiet)	494/424/353/294/235
Motor Rating (HP)	0.18
Heat Exchanger Fin Type	Blue Fin
Condensate Pump	Included - 39 in. Lift
Weight (Ship/Net)	57/66 lbs

12000 BTU/HR MID-STATIC DUCTED INDOOR

## USYM12UCDSA



#	Description
1	Liquid pipe connection
2	Vapor pipe connection
3	Drain pump outlet
4	Control board cover
5	Inspection hole
6	Gravity drain outlet
7	WiFi module

# Haier Arctic Multi Series Submittal

18000 BTU/HR MID-STATIC DUCTED INDOOR

## USYM18UCDSA

Job Name: \_\_\_\_\_

Purchaser: \_\_\_\_\_

Submitted To: \_\_\_\_\_

Construction: \_\_\_\_\_

Reference: \_\_\_\_\_

Approval: \_\_\_\_\_

Date: \_\_\_\_\_

Submitted By: \_\_\_\_\_

Unit: \_\_\_\_\_

Drawing #: \_\_\_\_\_



### Electrical Requirement

Power Supply	208/230V, 1 Phase, 60 HZ
Operating Voltage Range	187~253 VAC

### Performance

Rated Cooling Capacity	18,000 BTU
Rated Heating Capacity	19,000 BTU

### Piping

Flare Connections	1/4" (Liquid)
	1/2" (Vapor)
Drain Pipe	1 1/4"

## Accessories

### Wired Controller

Controller must be ordered separately

### Compatible With

Simplified Wired Controller (QACT17A)  
Programmable Wired Controller (YR-E16B)

### Built-in WiFi

### Supply Plenum

UAPT1824A

### Return MERV Filter Box

UAMFB1824A



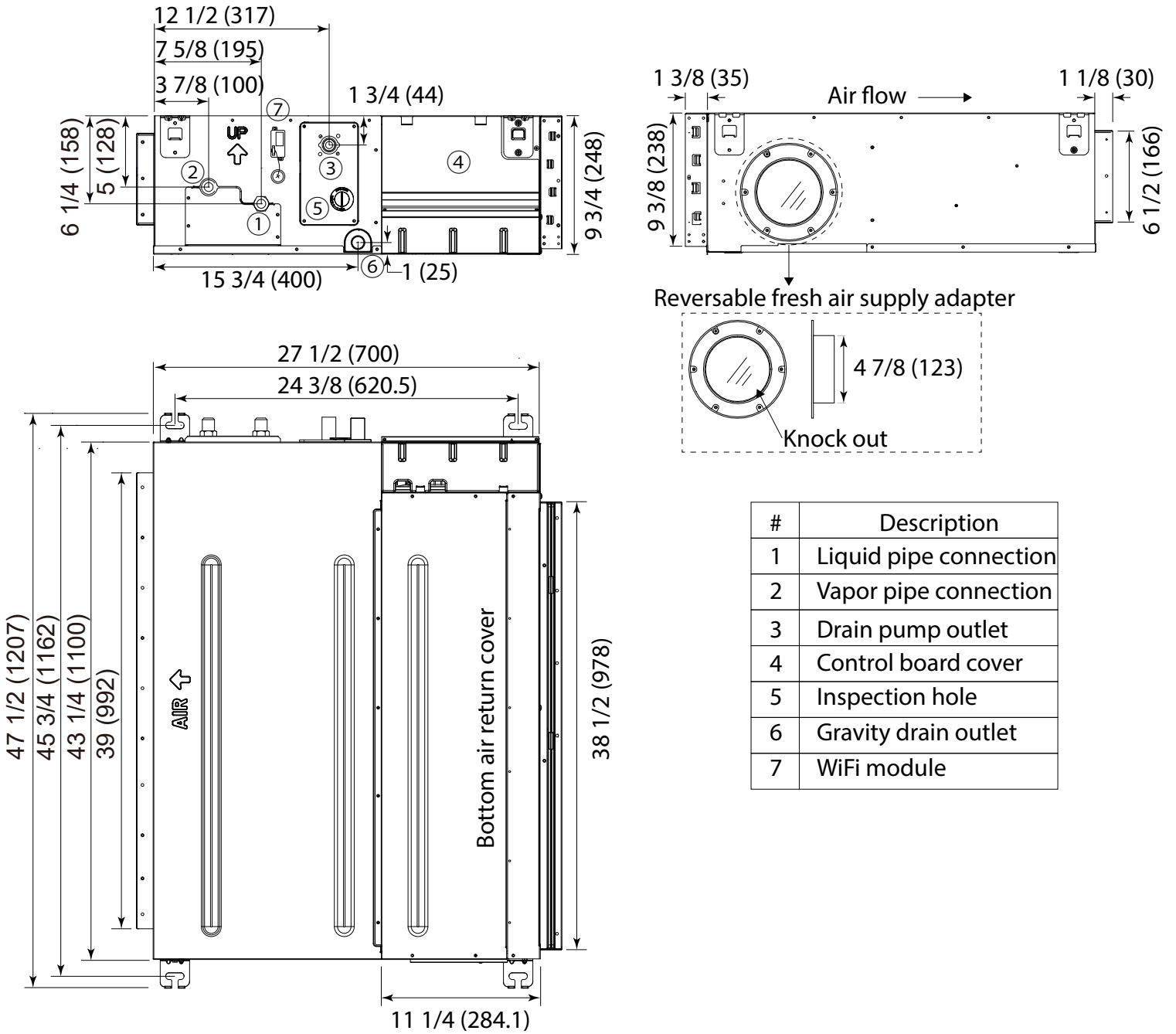
For more information visit us:  
[www.Haierductless.com](http://www.Haierductless.com)  
[www.Haierductlesshelp.com](http://www.Haierductlesshelp.com)

### Indoor Unit

Uncrated Dimension (HxWxD)	9 3/4 x 43 1/4 x 27 1/2 in (248 x 1100 x 700 mm)
Crated (HxWxD)	13 1/2 x 46 x 33 3/4 in (340 x 1170 x 860 mm)
Maximum ESP (IWC)	0.6
Cooling Indoor Sound Level dB (Turbo/High/Med/Low/Quiet)	48/45/42/39/36
Cooling Fan Motor RPM (Turbo/High/Med/Low/Quiet)	880/820/760/700/640
Cooling Airflow CFM (Turbo/High/Med/Low/Quiet)	735/635/541/470/400
Heating Indoor Sound Level dB (Turbo/High/Med/Low/Quiet)	48/45/42/39/36
Heating Fan Motor RPM (Turbo/High/Med/Low/Quiet)	880/820/760/700/640
Heating Airflow CFM (Turbo/High/Med/Low/Quiet)	735/635/541/470/400
Motor Rating (HP)	0.27
Heat Exchanger Fin Type	Blue Fin
Condensate Pump	Included - 39 in. Lift
Weight (Ship/Net)	70/77 lbs

18000 BTU/HR MID-STATIC DUCTED INDOOR

## USYM18UCDSA



# Haier Arctic Multi Series Submittal

24000 BTU/HR MID-STATIC DUCTED INDOOR

## USYM24UCDSA

Job Name: \_\_\_\_\_

Purchaser: \_\_\_\_\_

Submitted To: \_\_\_\_\_

Construction: \_\_\_\_\_

Reference: \_\_\_\_\_

Approval: \_\_\_\_\_

Date: \_\_\_\_\_

Submitted By: \_\_\_\_\_

Unit: \_\_\_\_\_

Drawing #: \_\_\_\_\_



### Electrical Requirement

Power Supply	208/230V, 1 Phase, 60 HZ
Operating Voltage Range	187~253 VAC

### Performance

Rated Cooling Capacity	24,000 BTU
Rated Heating Capacity	25,000 BTU

### Piping

Flare Connections	3/8" (Liquid)
	5/8" (Vapor)
Drain Pipe	1 1/4"

## Accessories

### Wired Controller

Controller must be ordered separately

### Compatible With

Simplified Wired Controller (QACT17A)  
Programmable Wired Controller (YR-E16B)

### Built-in WiFi

### Supply Plenum

UAPT1824A

### Return MERV Filter Box

UAMFB1824A



For more information visit us:  
[www.Haierductless.com](http://www.Haierductless.com)  
[www.Haierductlesshelp.com](http://www.Haierductlesshelp.com)

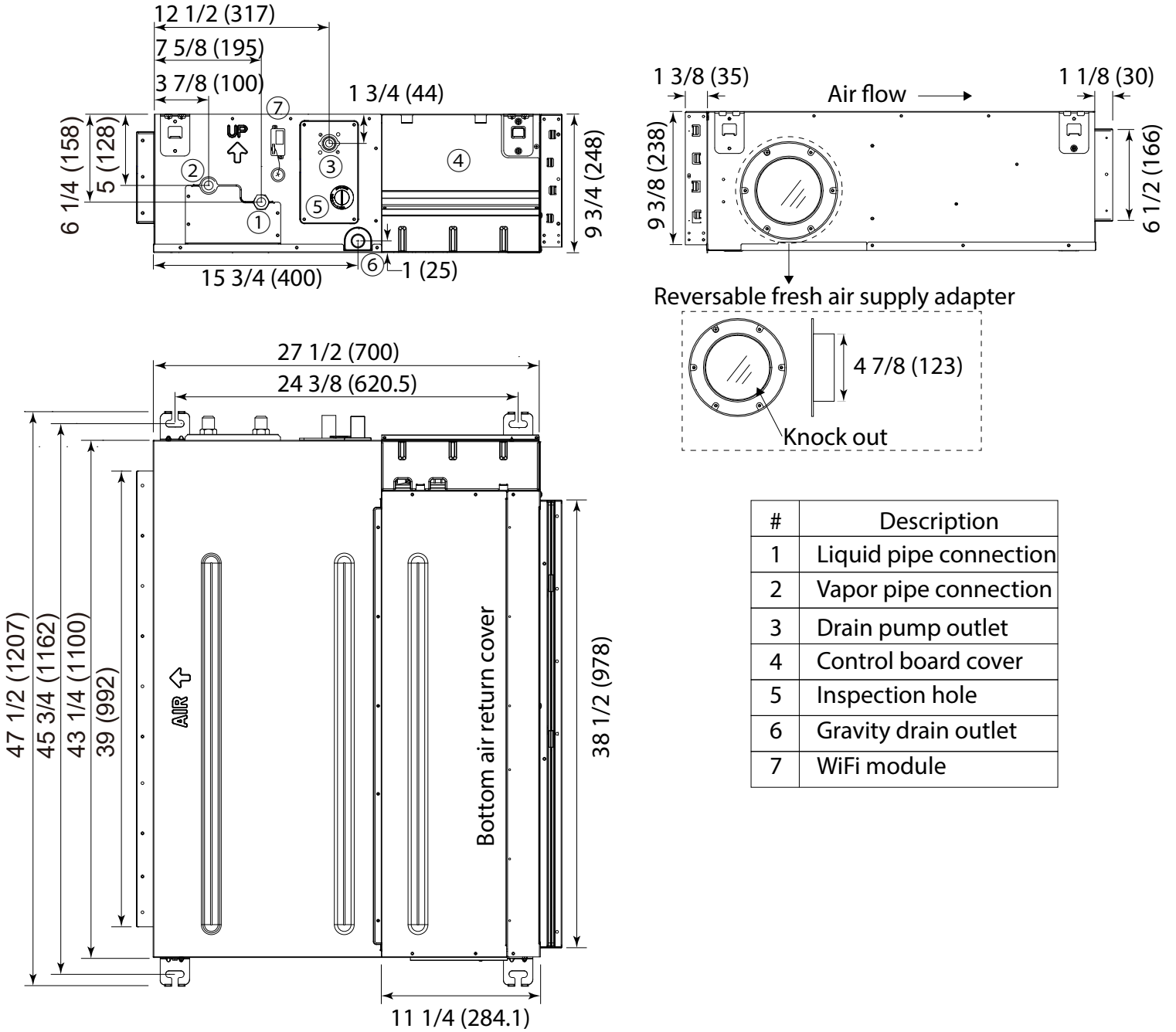
### Indoor Unit

Uncrated Dimension (HxWxD)	9 3/4 x 43 1/4 x 27 1/2 in (248 x 1100 x 700 mm)
Crated (HxWxD)	13 1/2 x 46 x 33 3/4 in (340 x 1170 x 860 mm)
Maximum ESP (IWC)	0.6
Cooling Indoor Sound Level dB (Turbo/High/Med/Low/Quiet)	50/48/45/42/39
Cooling Fan Motor RPM (Turbo/High/Med/Low/Quiet)	950/880/820/760/700
Cooling Airflow CFM (Turbo/High/Med/Low/Quiet)	835/735/635/541/470
Heating Indoor Sound Level dB (Turbo/High/Med/Low/Quiet)	50/48/45/42/39
Heating Fan Motor RPM (Turbo/High/Med/Low/Quiet)	950/880/820/760/700
Heating Airflow CFM (Turbo/High/Med/Low/Quiet)	835/735/635/541/470
Motor Rating (HP)	0.27
Heat Exchanger Fin Type	Blue Fin
Condensate Pump	Included - 39 in. Lift
Weight (Ship/Net)	70/77 lbs



24000 BTU/HR MID-STATIC DUCTED INDOOR

## USYM24UCDSA



#	Description
1	Liquid pipe connection
2	Vapor pipe connection
3	Drain pump outlet
4	Control board cover
5	Inspection hole
6	Gravity drain outlet
7	WiFi module

# Haier Arctic Multi Series Submittal

9000 BTU/HR FLOOR CONSOLE INDOOR

**USYF09UCDWA**

Job Name: \_\_\_\_\_

Purchaser: \_\_\_\_\_

Submitted To: \_\_\_\_\_

Construction: \_\_\_\_\_

Reference: \_\_\_\_\_

Approval: \_\_\_\_\_

Date: \_\_\_\_\_

Submitted By: \_\_\_\_\_

Unit: \_\_\_\_\_

Drawing #: \_\_\_\_\_



### Electrical Requirement

Power Supply	208/230V, 1 Phase, 60 HZ
Operating Voltage Range	187~253 VAC

### Performance

Rated Cooling Capacity	9,000 BTU
Rated Heating Capacity	10,000 BTU

### Piping

Flare Connections	1/4" (Liquid) 3/8" (Vapor)
Drain Pipe	5/8"

## Accessories

### Remote Controller

Ships with Standard Remote Control (WJ01X24721)

### Compatible With

Simplified Wired Controller (QACT17A)

Programmable Wired Controller (YR-E16B)

### Built-in WiFi



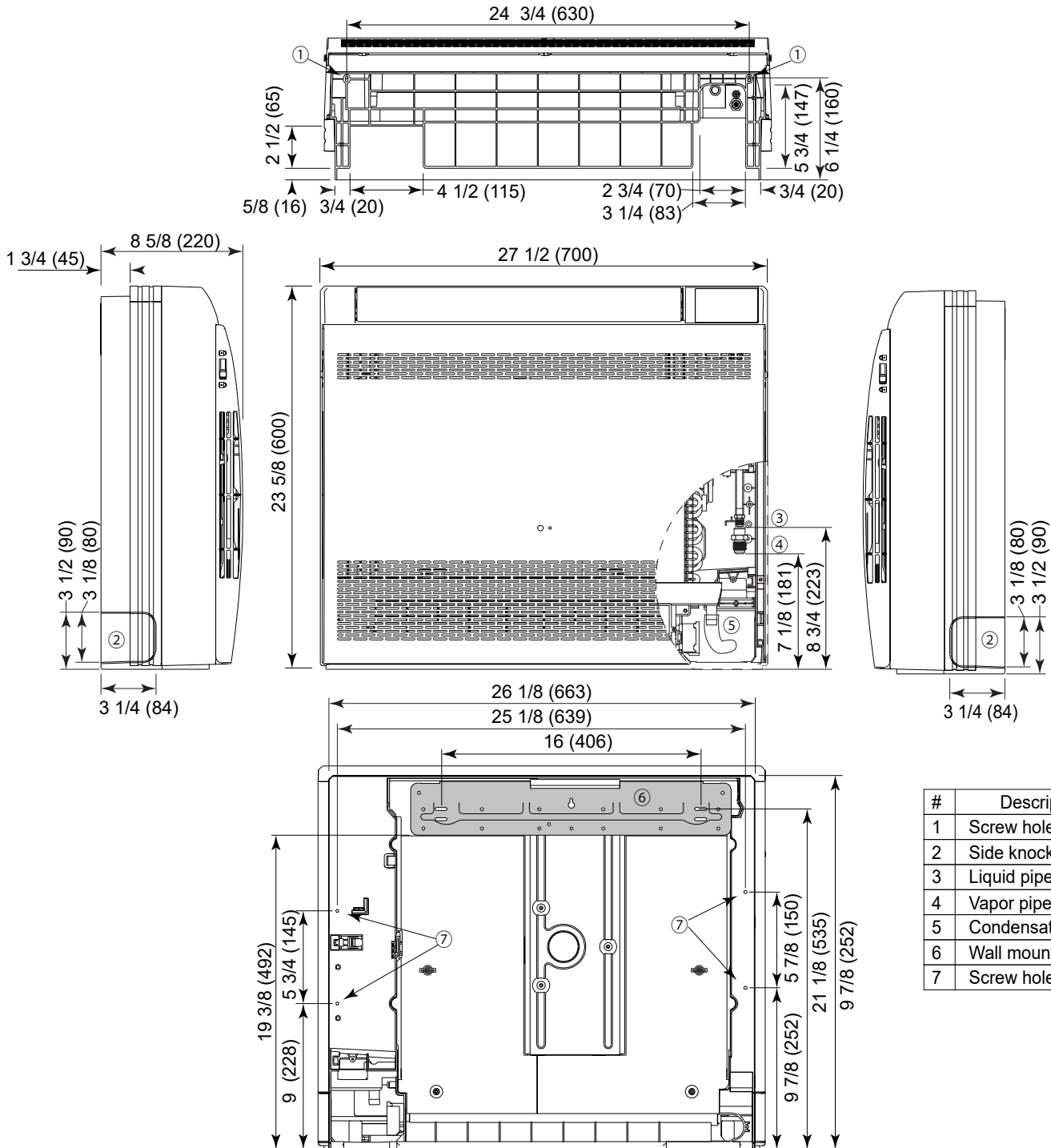
For more information visit us:  
[www.Haierductless.com](http://www.Haierductless.com)  
[www.Haierductlesshelp.com](http://www.Haierductlesshelp.com)

### Indoor Unit

Uncrated Dimension (HxWxD)	23 3/4 x 27 1/2 x 8 1/4 in (600 x 700 x 210 mm)
Crated (HxWxD)	27 1/2 x 30 3/4 x 12 in (695 x 783 x 303 mm)
Cooling Indoor Sound Level dB (Turbo/High/Med/Low/Quiet)	43/40/37/34/31
Cooling Fan Motor RPM (Turbo/High/Med/Low/Quiet)	650/560/480/410/360
Cooling Airflow CFM (Turbo/High/Med/Low/Quiet)	264/235/205/176/147
Heating Indoor Sound Level dB (Turbo/High/Med/Low/Quiet)	43/40/37/34/31
Heating Fan Motor RPM (Turbo/High/Med/Low/Quiet)	650/560/480/410/360
Heating Airflow CFM (Turbo/High/Med/Low/Quiet)	264/235/205/176/147
Motor Rating (HP)	0.04
Heat Exchanger Fin Type	Blue Fin
Weight (Ship/Net)	36/40 lbs

9000 BTU/HR FLOOR CONSOLE INDOOR

**USYF09UCDWA**



#	Description
1	Screw holes for floor install
2	Side knockout
3	Liquid pipe connection
4	Vapor pipe connection
5	Condensate drain
6	Wall mounting plate
7	Screw holes for wall install

# Haier Arctic Multi Series Submittal

12000 BTU/HR FLOOR CONSOLE INDOOR

## USYF12UCDWA

Job Name: \_\_\_\_\_

Purchaser: \_\_\_\_\_

Submitted To: \_\_\_\_\_

Construction: \_\_\_\_\_

Reference: \_\_\_\_\_

Approval: \_\_\_\_\_

Date: \_\_\_\_\_

Submitted By: \_\_\_\_\_

Unit: \_\_\_\_\_

Drawing #: \_\_\_\_\_



### Electrical Requirement

Power Supply	208/230V, 1 Phase, 60 HZ
Operating Voltage Range	187~253 VAC

### Performance

Rated Cooling Capacity	12,000 BTU
Rated Heating Capacity	13,000 BTU

### Piping

Flare Connections	1/4" (Liquid) 3/8" (Vapor)
Drain Pipe	5/8"

## Accessories

### Remote Controller

Ships with Standard Remote Control (WJ01X24721)

### Compatible With

Simplified Wired Controller (QACT17A)

Programmable Wired Controller (YR-E16B)

### Built-in WiFi



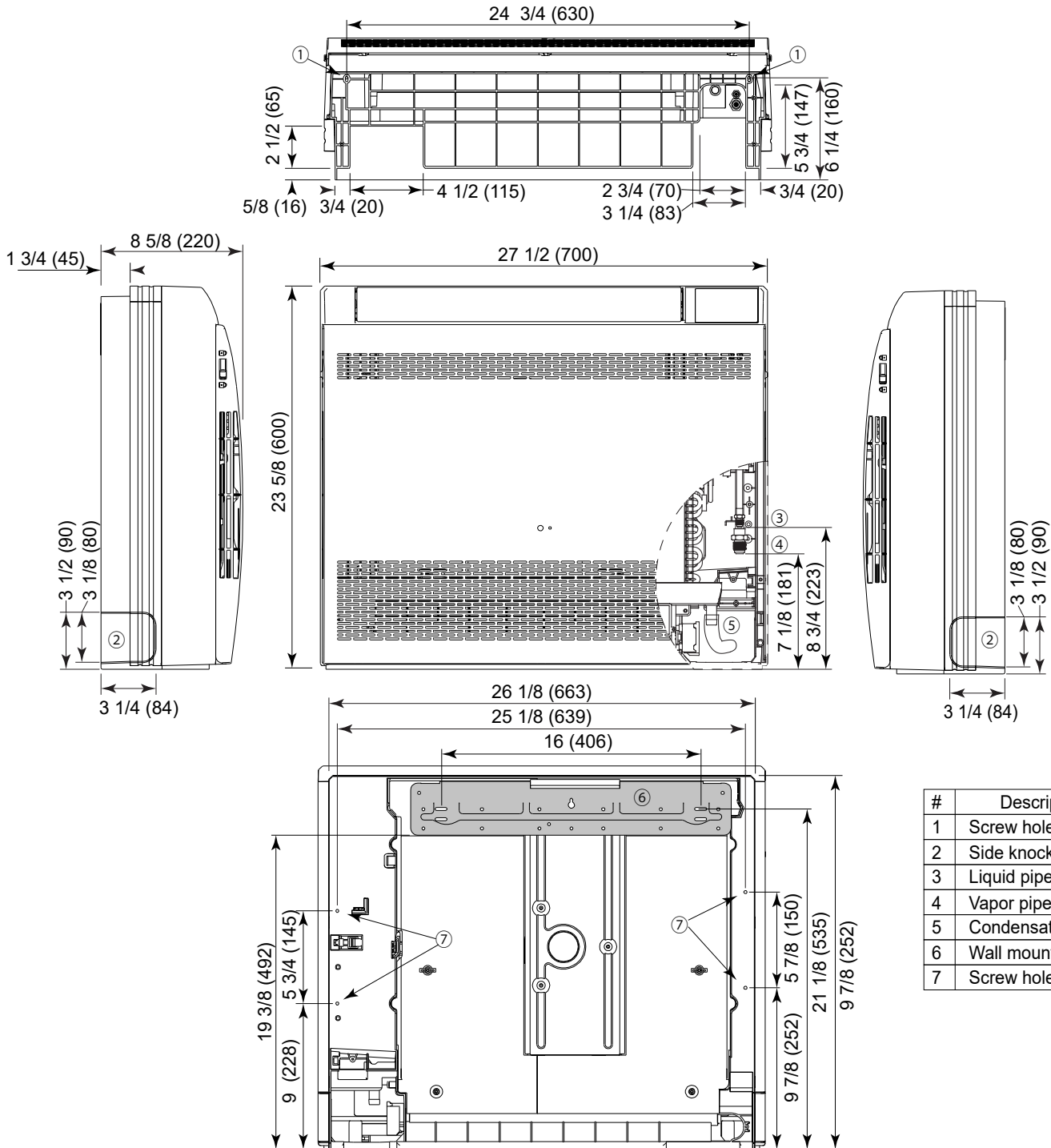
For more information visit us:  
[www.Haierductless.com](http://www.Haierductless.com)  
[www.Haierductlesshelp.com](http://www.Haierductlesshelp.com)

### Indoor Unit

Uncrated Dimension (HxWxD)	23 3/4 x 27 1/2 x 8 1/4 in (600 x 700 x 210 mm)
Crated (HxWxD)	27 1/2 x 30 3/4 x 12 in (695 x 783 x 303 mm)
Cooling Indoor Sound Level dB (Turbo/High/Med/Low/Quiet)	45/42/39/36/33
Cooling Fan Motor RPM (Turbo/High/Med/Low/Quiet)	700/590/510/440/390
Cooling Airflow CFM (Turbo/High/Med/Low/Quiet)	294/264/235/205/176
Heating Indoor Sound Level dB (Turbo/High/Med/Low/Quiet)	45/42/39/36/33
Heating Fan Motor RPM (Turbo/High/Med/Low/Quiet)	700/590/510/440/390
Heating Airflow CFM (Turbo/High/Med/Low/Quiet)	294/264/235/205/176
Motor Rating (HP)	0.04
Heat Exchanger Fin Type	Blue Fin
Weight (Ship/Net)	36/40 lbs

12000 BTU/HR FLOOR CONSOLE INDOOR

## USYF12UCDWA



#	Description
1	Screw holes for floor install
2	Side knockout
3	Liquid pipe connection
4	Vapor pipe connection
5	Condensate drain
6	Wall mounting plate
7	Screw holes for wall install

# Haier Arctic Multi Series Submittal

15000 BTU/HR FLOOR CONSOLE INDOOR

## USYF18UCDWA

Job Name: \_\_\_\_\_

Purchaser: \_\_\_\_\_

Submitted To: \_\_\_\_\_

Construction: \_\_\_\_\_

Reference: \_\_\_\_\_

Approval: \_\_\_\_\_

Date: \_\_\_\_\_

Submitted By: \_\_\_\_\_

Unit: \_\_\_\_\_

Drawing #: \_\_\_\_\_



### Electrical Requirement

Power Supply	208/230V, 1 Phase, 60 HZ
Operating Voltage Range	187~253 VAC

### Performance

Rated Cooling Capacity	15,000 BTU
Rated Heating Capacity	18,000 BTU

### Piping

Flare Connections	1/4" (Liquid)
	1/2" (Vapor)
Drain Pipe	5/8"

### Indoor Unit

Uncrated Dimension (HxWxD)	23 3/4 x 27 1/2 x 8 1/4 in (600 x 700 x 210 mm)
Crated (HxWxD)	27 1/2 x 30 3/4 x 12 in (695 x 783 x 303 mm)
Cooling Indoor Sound Level dB (Turbo/High/Med/Low/Quiet)	49/46/43/40/37
Cooling Fan Motor RPM (Turbo/High/Med/Low/Quiet)	800/710/630/560/510
Cooling Airflow CFM (Turbo/High/Med/Low/Quiet)	341/311/282/252/223
Heating Indoor Sound Level dB (Turbo/High/Med/Low/Quiet)	49/46/43/40/37
Heating Fan Motor RPM (Turbo/High/Med/Low/Quiet)	800/710/630/560/510
Heating Airflow CFM (Turbo/High/Med/Low/Quiet)	341/311/282/252/223
Motor Rating (HP)	0.04
Heat Exchanger Fin Type	Blue Fin
Weight (Ship/Net)	36/40 lbs

## Accessories

### Remote Controller

Ships with Standard Remote Control (WJ01X24721)

### Compatible With

Simplified Wired Controller (QACT17A)

Programmable Wired Controller (YR-E16B)

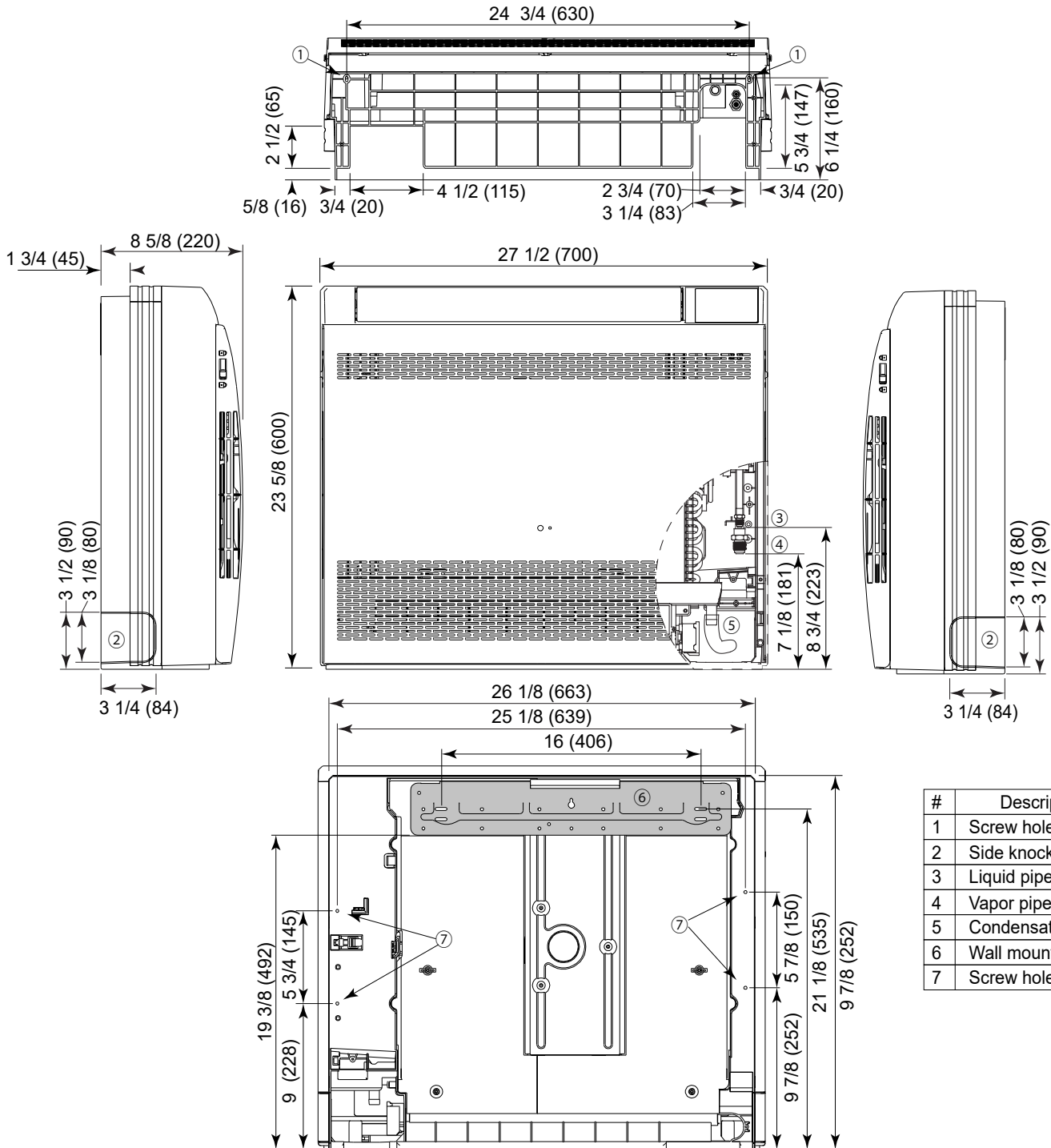
### Built-in WiFi



For more information visit us:  
[www.Haierductless.com](http://www.Haierductless.com)  
[www.Haierductlesshelp.com](http://www.Haierductlesshelp.com)

15000 BTU/HR FLOOR CONSOLE INDOOR

## USYF18UCDWA



#	Description
1	Screw holes for floor install
2	Side knockout
3	Liquid pipe connection
4	Vapor pipe connection
5	Condensate drain
6	Wall mounting plate
7	Screw holes for wall install