

resideo



ST9120B,U Universal Electronic Fan Timers

INSTALLATION INSTRUCTIONS

APPLICATION

The ST9120B,U Universal Electronic Fan Timers integrate control of all combustion blower and circulating fan operations in a gas warm air appliance. This control is the central wiring point for most of the electrical components in the furnace. The basic purposes of the ST9120B,U are to monitor the thermostat for heat, cool and fan demands, run the induced draft blower motor and run a circulating fan (up to two speeds) as required. The ST9120B,U also monitors limit switch strings and energizes separate ignition control systems through pressure switches. The ST9120B,U can replace any ST9101, ST9120, ST9141 or ST9160 listed in Table 3 below. The ST9120B,U features a field-adjustable heat fan-on delay, a field-adjustable heat fan-off delay, a field-adjustable cool fan-on delay and a field-adjustable cool fan-off delay.

Electronic air cleaner (EAC) and humidifier (HUM) convenience terminal connections and continuous low speed indoor air circulation are provided.

SPECIFICATIONS

Electrical Ratings:

Power Voltage Requirements: 18 to 30 VAC, 50/60 Hz.

Contact Ratings:

Combustion Blower:

- 1.5A full load, 10A locked rotor at 115 VAC.
- 0.75A full load, 5A locked rotor at 230 VAC.
- (Reduce full load rating by humidifier [HUM] load.)

Circulating Fan:

Heat-Cool speed:

- 1.5A full load, 30A locked rotor at 115 VAC.
- 7.5A full load, 15A locked rotor at 230 VAC.
- (Reduce full load rating by electronic air cleaner [EAC] load.)

Continuous speed (optional):

- 4A full load, 16A locked rotor at 115 VAC.
- 8A full load, 8A locked rotor at 230 VAC.

EAC and HUM:

- 0.8A maximum combined load at 115 VAC
- 0.4A maximum combined load at 230 VAC

Thermostat W Load: 100mA at 24 VAC, plus ignition system load.

Thermostat G, Y, Primary Limit, Burner Limit, Pressure Switch Load: 22mA at 24 VAC load/cleaning current.

On/Off Delay Settings:

NOTE: Timing is derived from 24 VAC supply frequency and is valid for 60Hz. At 50 Hz, the timings are lengthened 20%.

Heat Speed:

Delay On: Field-adjustable, 30 or 60 seconds. Delay timing starts when gas valve is energized.

Delay Off: Field-adjustable, 60, 120, 150 or 180 seconds. Delay timing starts when gas valve is de-energized.

Cool Speed:

Delay On: Field Adjustable, 4 or 30 seconds.

Delay Off: Field Adjustable, 30 or 60 seconds.

Timing Tolerance: Larger of $\pm 2\%$ or ± 2 seconds.

Post Purge Timing:

5 seconds.

Environmental Ratings:

Temperature: -40°F (-40°C) to $+175^{\circ}\text{F}$ ($+79^{\circ}\text{C}$).

Humidity: 5 to 95 percent, noncondensing.

Approvals:

Underwriters Laboratories Inc.

INSTALLATION

When Installing this Product...

1. Read these instructions carefully. Failure to follow them could damage the product or cause a hazardous condition.
2. Check the ratings and specifications given in the instructions and on the product to make sure the product is suitable for your application.
3. Installer must be a trained, experienced service technician.
4. After installation is complete, check out the product operation as provided in these instructions.

WARNING

Electrical Shock Hazard.

Can cause severe injury, death or property damage.

Disconnect power supply before wiring to prevent electrical shock or equipment damage. More than one disconnection can be required.



69-2252EF-09

Location and Mounting

Mount the ST9120B,U Electronic Fan Timer in the appliance wiring compartment using the two # 8 1/2-in. self-tapping screws.

Wiring



CAUTION

Explosion or fire hazard.

When installing the ST9120B,U, carefully check all appliance wires to make sure they are all connected to desired terminals at ST9120B,U. Incorrect wiring can lead to explosion hazard, fire, or equipment damage.

Make sure that all wiring complies with local codes and ordinances. Disconnect power before making wiring connections. Refer to Fig. 1–6 for standard wiring connections. Refer to Fig. 7–9 for schematic of provided wiring adapters.

Adjustable DIP Switch

The ST9120B,U control provides a wide variety of configurable heat on, heat off, cool on and cool off delays. Set the delay DIP switches as shown in Fig. 10. The heat-on delay time starts when the main gas valve is energized at the start of a thermostat call for heat; the heat-off delay time starts when the main gas valve is deenergized at the end of a thermostat call for heat. The cool fan-on delay time starts when the compressor is energized at the start of a thermostat call for cool. The cool fan-off delay time starts when the compressor is deenergized at the end of thermostat call for cool.

Twinning

Twinning mode is used when two ST9120B,U controls operate in parallel. In this mode blower outputs (heat, cool and continuous speed) are activated or deactivated at both controls at the same time. Both ST9120B,U are synchronized through a communication bridge utilizing TWIN quick connect terminals, communication hardware and special software package.

To get into twinning mode both ST9120B,U must share common 24 VAC ground, both must be supplied off the same 24 VAC transformer or two identically-phased transformers and the TWIN terminals must be interconnected together. One or both ST9120B,U must be connected to the thermostat.

If two 24 VAC transformers are used (one for each ST9120B,U) then the transformers must be phased in (24 VAC HOT legs connected to X terminals at each ST9120B,U unit must be in the same phase relative to the 24 VAC common ground). If the transformers are phased out the twinning mode will not be achieved.

It is permissible to interconnect just two ST9120B,U to operate in the twinning mode. The ST9120B,U Twinning mode is not backwards compatible with legacy Electronic Fan Timers.

To operate in twinning mode:

1. Interconnect C quick connect terminals at both twinned ST9120B,U.
2. Interconnect TWIN quick connect terminals at both twinned ST9120B,U.

3. Use insulate wires of wire gauge at least AWG 24 for the interconnections. Wire lengths shall not exceed 5 m (15 ft.). Both C and TWIN wires shall lead in parallel to each other. Keep the wires out of wires under line voltage, ignition cable and other sources of electrical noise.

ST9120B,U Wiring Conversion Instructions

1. Turn off power to appliance. Carefully remove each wire and connect directly to the corresponding location on the new ST9120B,U control board. Be careful to directly connect to the new terminal with the same labeled identity or label each wire prior to removing from the original board.
2. Identify the model number of the board being replaced and set the dip switches based on Table 3.



CAUTION

Explosion Hazard/Fire Hazard

ST9101 wiring harness adapter and ST9141 wiring harness adapter are very similar because both use identical connectors. Ensure proper harness is selected for the target system. Using the wrong wiring harness adapter leads to target system and/or ST9120B,U control damage.

ST9101 to ST9120B,U Wiring Conversion Instructions

1. Turn off power to appliance and carefully remove each wire and connect directly to the new ST9120B,U control board before removing the existing control. Use Table 1 to determine the proper ST9120B,U terminal for each corresponding ST9101 connection. Connect the wiring in accordance with schematic at Fig. 3. Be careful to directly connect to the new terminal or label each wire prior to removal from original board.



CAUTION

Electronic air cleaner use.

If electronic air cleaner is used in systems with continuous blower speed, connect the electronic air cleaner to line voltage input L1.

2. Unplug the 9-pin connector and plug existing wiring harness directly into the 9-pin connector found on the ST9101 wiring adapter 50011959. See Fig. 7 and Table 4 for further wire harness adapter description.
3. Plug the 6-pin connector found on the ST9101 wiring adapter directly to the open 6-pin connector on the new ST9120B,U control board.
4. Take the two remaining white wires on the ST9101 wiring adapter and connect to Neutral quick connect terminals on the ST9120B,U.
5. Take the black wire on the ST9101 wiring adapter and connect to the L1 quick connect terminal on the ST9120B,U.
6. Take the blue wire on the ST9101 wiring adapter and connect to the IND quick connect terminal on the ST9120B,U.
7. Identify the model number of the board being replaced and set the dip switches based on Table 3.
8. Check proper connection using Fig. 3.

Table 1. ST9101 to ST9120B,U Wiring Conversions.

| ST9101 | ST9120 | ST9141 | ST9160 | ST9120B,U |
|-----------------------------|--------------------|--------------------|--------|--|
| HEAT | HEAT | HEAT | HEAT | HEAT |
| COOL | COOL | COOL | COOL | COOL |
| | CONT | CONT | CONT | CONT |
| ACC | --- | --- | --- | * for systems with one ON fan speed (see note below) |
| | DI | DI | --- | IND |
| S | S1 to S3 | S1 to S3 | L1 | L1 |
| M1 | UNUSED MOTOR LEADS | UNUSED MOTOR LEADS | M1 | UNUSED |
| M2 | UNUSED MOTOR LEADS | UNUSED MOTOR LEADS | M2 | UNUSED |
| N | N | N | N | N |
| X | X | XI | 24 VAC | X |
| C | C | C | COM | C |
| --- | SPEED UP | SPEED UP | --- | --- |
| --- | Z1 | Z1 | TWIN H | ** TWIN (see note below) |
| --- | Z2 | Z2 | TWIN C | ** TWIN (see note below) |
| --- | --- | --- | DATA | DATA |
| Thermostat Terminals | | | | |
| R | R | R | R | R |
| Y | Y | Y | Y | Y |
| C | C | C | C | C |
| W | W | W | W | W |
| G | G | G | G | G |

* ACC terminal is used in ST9101 systems, which use the same fan speed for both heating and cooling. In order to use the ST9120B,U to replace ST9101 devices in this type of system, the fan connection that originally was connected to ACC on the ST9101 needs to be connected to both heat and cool connections on the ST9120B,U.

**TWIN terminal is used to interconnect two ST9120B,U units to operate blower outputs simultaneously. Twinning at new ST9120B,U control is not backwards compatible with legacy controls.

ST9141 to ST9120B,U Wiring Conversion Instructions

1. Turn off power to appliance and carefully remove each wire and connect directly to the new ST9120B,U control board before removing the existing control. Use Table 1 to determine the proper ST9120B,U terminal for each corresponding ST9141 connection. Be careful to directly connect the new terminal or label each wire prior to removal from original board.
2. Unplug the 9-pin connector and plug existing wiring harness directly into the 9-pin connector found on the ST9141 wiring adapter 50034962. See Fig. 8 and Table 5 for further wire harness adapter description.
3. Plug the 6-pin connector found on the ST9141 wiring adapter directly to the open 6-pin connector on the new ST9120B,U control board.
4. Take the gray wire on the ST9141 wiring adapter and connect to the LIM quick connect terminal on the ST9120B,U.
5. Take the brown wire on the ST9141 wiring adapter and connect to the PRSW quick connect terminal on the ST9120B,U.
6. Identify the model number of the board being replaced and set the dip switches based on Table 3.

7. Check proper connection using Fig. 4.

ST9160 to ST9120B,U Wiring Conversion Instructions

1. Turn off power to appliance and carefully remove each wire and connect directly to the new ST9120B,U control board before removing the existing control. Use Table 1 to determine the proper ST9120B,U terminal for each corresponding ST9160 connection.
2. Unplug the 6-pin connector and plug it into the J3 connector found on ST9120B,U.
3. Plug the jumper plug into the J1 connector at ST9120B,U.
4. Identify the model number of the board being replaced and set the dip switches based on Table 3.
5. Check proper connection using Fig. 5 or 6.

LED Diagnostic

The ST9120 control provides the following status information and diagnostic troubleshooting code sequence as shown in Table 2.

Table 2. LED Diagnostic Troubleshooting Codes.

| No. of flashes | Condition |
|--------------------|--|
| dim/on (heartbeat) | Device works correctly. |
| 1 | Limit switch (ST9120) or burner limit switch (ST9141) is open. |
| 2 | Primary limit switch (ST9141) is open. |
| 3 | Pressure switch is improperly closed or pressure switch open when inducer blower has been running for >30 sec. |
| 4 | Control is in lockout due to air not circulating (overheated). |
| 5 | Smart Valve II limit switch is open. |
| 6 | Twinning communication corrupted (check system transformers' phasing). |
| 7 | Wrong 24 VAC supply condition. |

Table 3. Recommended Default Dip Switch Settings.

| Replaced Control Model Number | Original OEM Appliance | Legacy Timing | | | | New ST9120B,U | | | | | | | | |
|-------------------------------|-------------------------|---------------|----------|---------|----------|---------------|-----|----------|-----|-----|---------|-----|----------|-----|
| | | Heat On | Heat Off | Cool On | Cool Off | Heat On | | Heat Off | | | Cool On | | Cool Off | |
| | | sec | sec | sec | sec | 1 | sec | 2 | 3 | sec | 4 | sec | 5 | sec |
| ST9101A1006 | Rheem | 30 | 100 | 4 | 0 | off | 30 | off | off | 120 | off | 4 | off | 30 |
| ST9101A1014 | Rheem | 30 | 100 | 4 | 0 | off | 30 | off | off | 120 | off | 4 | off | 30 |
| ST9101A1022 | Trade | 30 | 100 | 4 | 0 | off | 30 | off | off | 120 | off | 4 | off | 30 |
| ST9120A1006 | Armstrong | 30 | 100 | 4 | 0 | off | 30 | off | off | 120 | off | 4 | off | 30 |
| ST9120A2004 | Armstrong | 30 | 140 | 4 | 0 | on | 30 | off | on | 150 | off | 4 | off | 30 |
| ST9120B1005 | Ducane | 30 | 60 | 4 | 0 | off | 30 | on | off | 60 | off | 4 | off | 30 |
| ST9120C1012 | Snyder General | 60 | 100 | 4 | 0 | on | 60 | off | off | 120 | off | 4 | off | 30 |
| ST9120C1020 | Nordyne | 60 | 100 | 4 | 0 | on | 60 | off | off | 120 | off | 4 | off | 30 |
| ST9120C2002 | York | 30 | 100 | 4 | 30 | off | 30 | off | off | 120 | off | 4 | off | 30 |
| ST9120C2010 | Ducane | 30 | 100 | 4 | 30 | off | 30 | off | off | 120 | off | 4 | off | 30 |
| ST9120C2028 | Armstrong | 30 | 100 | 4 | 60 | off | 30 | off | off | 120 | off | 4 | on | 60 |
| ST9120C3000 | ICP | 30 | 140 | 30 | 30 | off | 30 | off | on | 150 | on | 30 | off | 30 |
| ST9120C3018 | Bard | 60 | 100 | 4 | 60 | on | 60 | off | off | 120 | off | 4 | on | 60 |
| ST9120C4008 | ICP | 30 | 140 | 30 | 30 | off | 30 | off | on | 150 | on | 30 | off | 30 |
| ST9120C4016 | ICP | 30 | 140 | 30 | 30 | off | 30 | off | on | 150 | on | 30 | off | 30 |
| ST9120C4040 | ICP | 30 | 140 | 30 | 30 | off | 30 | off | on | 150 | on | 30 | off | 30 |
| ST9120C4057 | ICP | 30 | 140 | 30 | 30 | off | 30 | off | on | 150 | on | 30 | off | 30 |
| *ST9120C5005 | ICP | 30 | 140 | 4 | 30 | off | 30 | off | on | 150 | off | 4 | off | 30 |
| *ST9120C5013 | ICP | 30 | 140 | 4 | 30 | off | 30 | off | on | 150 | off | 4 | off | 30 |
| *ST9120D3009 | Goodman | 30 | 140 | 4 | 60 | off | 30 | off | on | 150 | off | 4 | on | 60 |
| ST9120G2008 | ICP | 60 | 100 | 30 | 0 | on | 60 | off | off | 120 | on | 30 | off | 30 |
| ST9120G2016 | ICP | 30 | 100 | 30 | 30 | off | 30 | off | off | 120 | on | 30 | off | 30 |
| ST9120G2024 | Skymark | 30 | 60 | 30 | 30 | off | 30 | on | off | 60 | on | 30 | off | 30 |
| ST9120G2032 | Skymark | 30 | 60 | 4 | 100 | off | 30 | on | off | 60 | off | 4 | on | 60 |
| ST9120G4004 | ICP | 30 | 140 | 30 | 30 | off | 30 | off | on | 150 | on | 30 | off | 30 |
| ST9120G4012 | ICP | 30 | 140 | 30 | 30 | off | 30 | off | on | 150 | on | 30 | off | 30 |
| ST9120G4038 | Trade | 30 | 140 | 30 | 30 | off | 30 | off | on | 150 | on | 30 | off | 30 |
| ST9120U1003 | Trade | 30 | 140 | 4 | 30 | off | 30 | off | on | 150 | off | 4 | off | 30 |
| ST9141A1002 | Consolidated Industries | 30 | 140 | 6 | 60 | off | 30 | off | on | 150 | off | 4 | on | 60 |
| ST9141A1028 | Consolidated Industries | 30 | 140 | 6 | 60 | off | 30 | off | on | 150 | off | 4 | on | 60 |
| ST9141B1001 | Consolidated Industries | 75 | 180 | 6 | 60 | on | 60 | on | on | 180 | off | 4 | on | 60 |
| ST9150A1003 | Consolidated Industries | 36 | 168 | 7 | 72 | off | 30 | on | on | 180 | off | 4 | on | 60 |

*Heat fan off delay setting may need adjustment based on performance. See Fig. 10 to adjust timings.

Table 3. Recommended Default Dip Switch Settings. (Continued)

| Replaced Control Model Number | Original OEM Appliance | Legacy Timing | | | | New ST9120B,U | | | | | | | | |
|------------------------------------|------------------------|---------------|----------|---------|----------|---------------|-----|----------|-----|-----|---------|-----|----------|-----|
| | | Heat On | Heat Off | Cool On | Cool Off | Heat On | | Heat Off | | | Cool On | | Cool Off | |
| | | sec | sec | sec | sec | 1 | sec | 2 | 3 | sec | 4 | sec | 5 | sec |
| ST9150B2000 | | 36 | 144 | 7 | 0 | off | 30 | off | on | 150 | off | 4 | off | 30 |
| ST9150B2018 | ICP | 30 | 140 | 30 | 30 | off | 30 | off | on | 150 | on | 30 | off | 30 |
| ST9150B2026 | Ducane | 36 | 144 | 7 | 36 | off | 30 | off | on | 150 | off | 4 | off | 30 |
| ST9150B2034 | | 36 | 144 | 7 | 36 | off | 30 | off | on | 150 | off | 4 | off | 30 |
| ST9160A1002 | Armstrong | 30 | 90 | 6 | 60 | off | 30 | off | off | 120 | off | 4 | on | 60 |
| ST9160B1001 | | 30 | 120 | 6 | 30 | off | 30 | off | off | 120 | off | 4 | off | 30 |
| ST9160B1019 | | 30 | 120 | 6 | 30 | off | 30 | off | off | 120 | off | 4 | off | 30 |
| ST9160B1027 | | 30 | 120 | 6 | 60 | off | 30 | off | off | 120 | off | 4 | on | 60 |
| ST9160B1035 | | 30 | 120 | 6 | 30 | off | 30 | off | off | 120 | off | 4 | off | 30 |
| ST9160B1043 | ICP | 30 | 140 | 6 | 30 | off | 30 | off | on | 150 | off | 4 | off | 30 |
| ST9160B1050 | ICP | 30 | 140 | 6 | 60 | off | 30 | off | on | 150 | off | 4 | on | 60 |
| ST9160B1068 | Armstrong | 30 | 120 | 6 | 60 | on | 30 | off | off | 120 | off | 4 | on | 30 |
| ST9160B1076 | Ducane | 30 | 120 | 6 | 30 | off | 30 | off | off | 120 | off | 4 | off | 30 |
| ST9160B1084 | ICP | 30 | 140 | 6 | 90 | off | 30 | off | on | 150 | off | 4 | on | 60 |
| ST9160C1000 | | 30 | 140 | 30 | 30 | off | 30 | off | on | 150 | on | 30 | off | 30 |
| ST9160C1018 | | 30 | 140 | 30 | 30 | off | 30 | off | on | 150 | on | 30 | off | 30 |
| *ST9120B,U Factory Default Setting | | | | | | off | 30 | off | off | 120 | off | 4 | off | 30 |

*Heat fan off delay setting may need adjustment based on performance. See Fig. 10 to adjust timings.

NOTE: Timings may not be exactly the same as the replaced control and adjustments may need to be made.

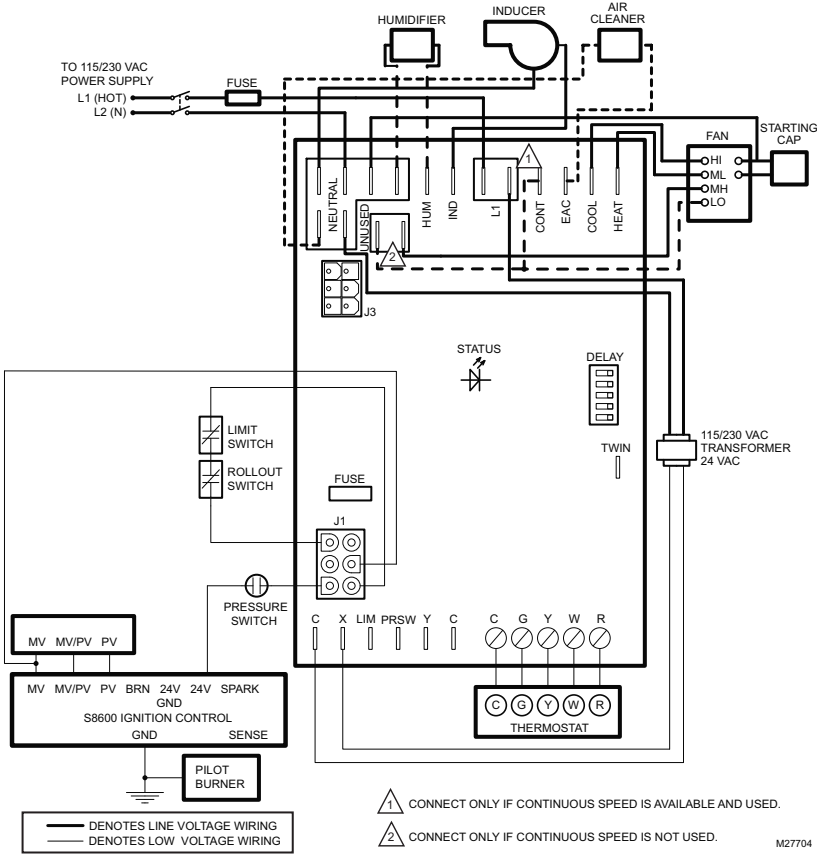


Fig. 1. Typical ST9120B,U wiring connections in ST9120 system with S8600 Intermittent Pilot Ignition Control.

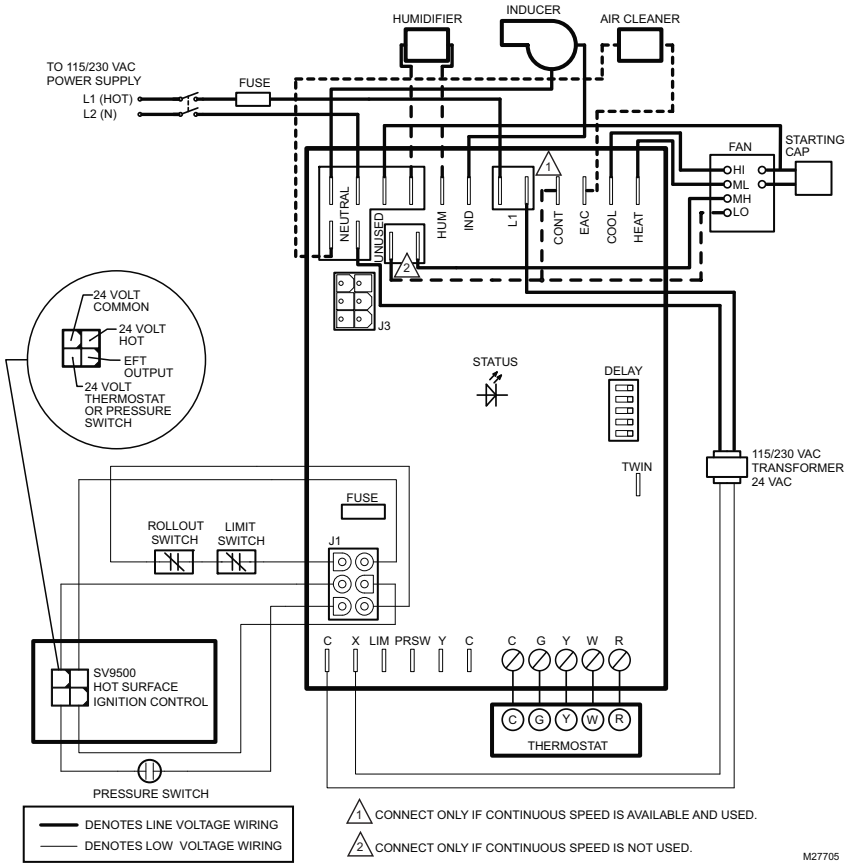


Fig. 2. Typical ST9120B,U wiring connections in ST9120 system with SV9500/SV9501 SmartValve™ Control.

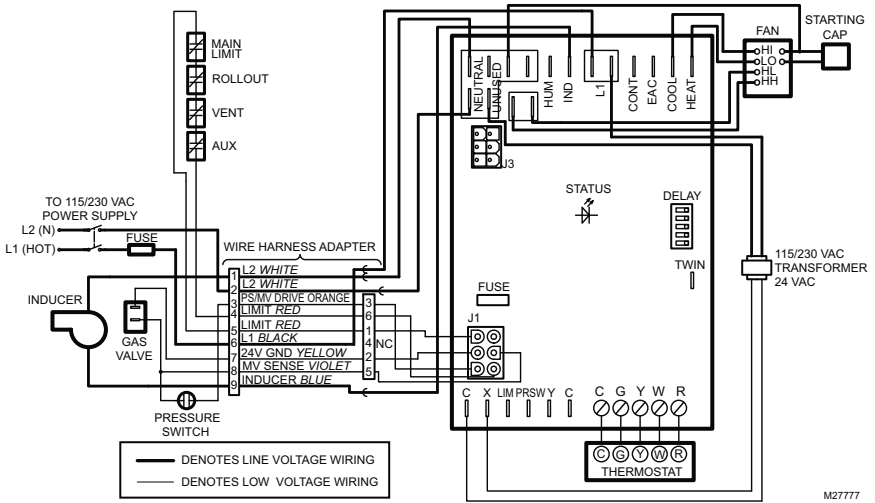


Fig. 3. Typical ST9120B,U wiring connections in ST9101 system.

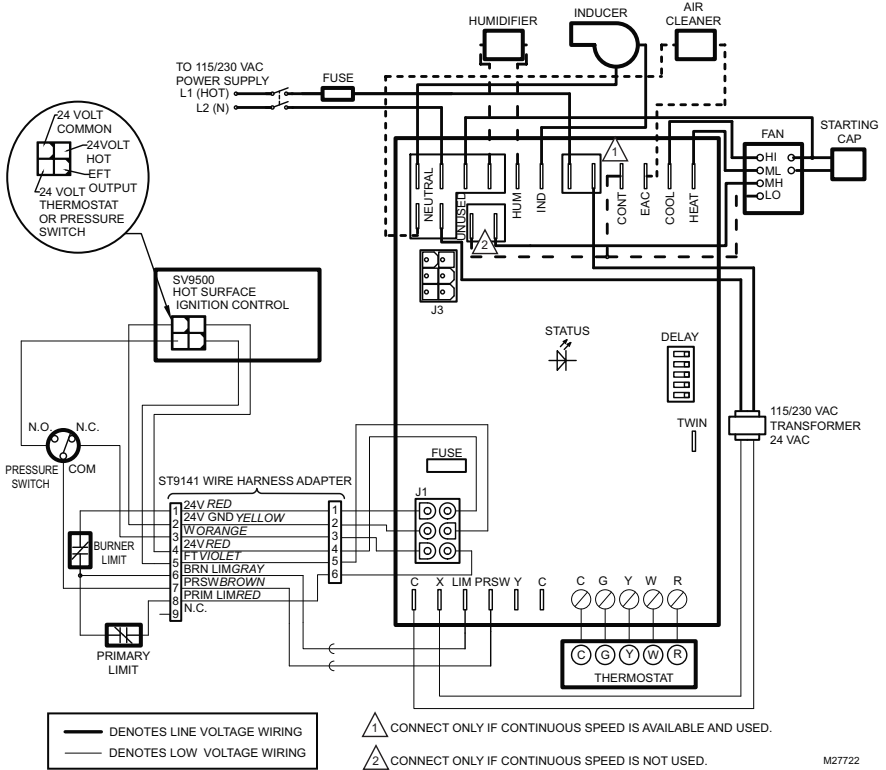


Fig. 4. Typical ST9120B,U wiring connections in ST9141 system with SV9500/SV9501 SmartValve™ Control.

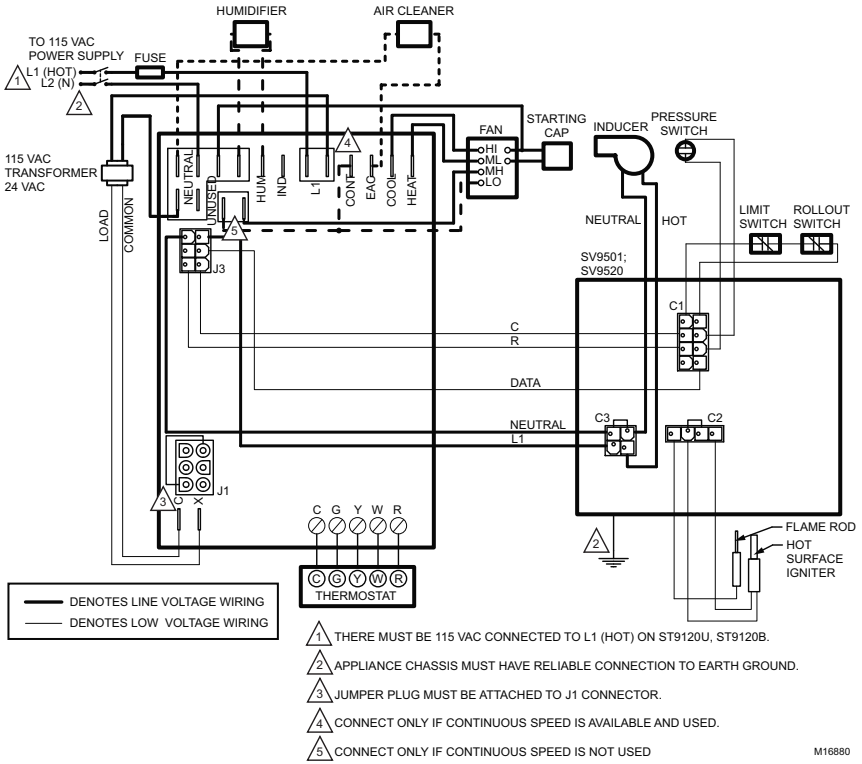
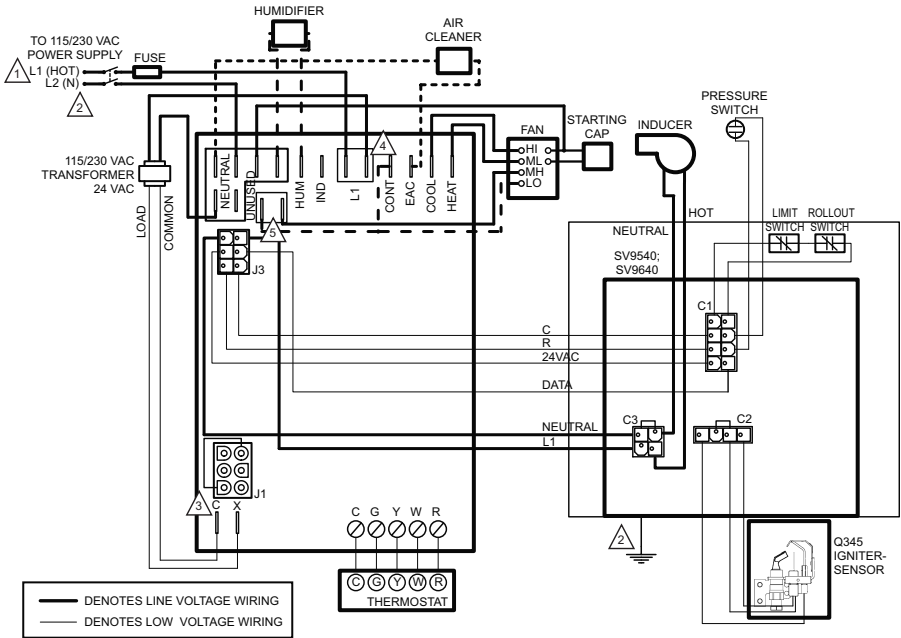


Fig. 5. Typical ST9120B,U wiring connections in ST9160 system with SV9510/SV9520 SmartValve™ Control.



- 1 FOR 115 VAC / 50, 60 HZ INSTALLATIONS, THERE MUST BE 115 VAC CONNECTED TO L1 (HOT) ON ST9120U, ST9120B.
FOR 230 VAC / 60 HZ INSTALLATIONS, THERE MUST BE 115 VAC BETWEEN L1 (HOT) AND APPLIANCE CHASSIS.
FOR 230 VAC / 50 HZ INSTALLATIONS, USE ONLY WITH SMART VALVE RATED FOR THE SAME LINE VOLTAGE PARAMETERS.
- 2 APPLIANCE CHASSIS MUST HAVE RELIABLE CONNECTION TO EARTH GROUND.
- 3 JUMPER PLUG MUST BE ATTACHED TO J1 CONNECTOR.
- 4 CONNECT ONLY IF CONTINUOUS SPEED IS AVAILABLE AND USED.
- 5 CONNECT ONLY IF CONTINUOUS SPEED IS NOT USED

M27724A

Fig. 6. Typical ST9120B,U wiring connections in ST9160 system with SV9540/SV9640 SmartValve™ Control.

Table 4. ST9101 Wire Harness Adapter (HPN 50011959-001) Connections.

| Connector/Wire Identification | Reference | Connect To... |
|-------------------------------|-----------|--|
| 9 pin | P1 | 9 pin system connector in ST9101 appliance |
| 6 pin | P2 | J1 connector at ST9120B,U |
| White | L2 | E13/E15/E18/E20/E23/E26 (Neutral) at ST9120B,U |
| White | L2 | E13/E15/E18/E20/E23/E26 (Neutral) at ST9120B,U |
| Black | L1 | E12/E14 (L1 phase) at ST9120B,U |
| Blue | INDUCER | E17 (Inducer output) at ST9120B,U |

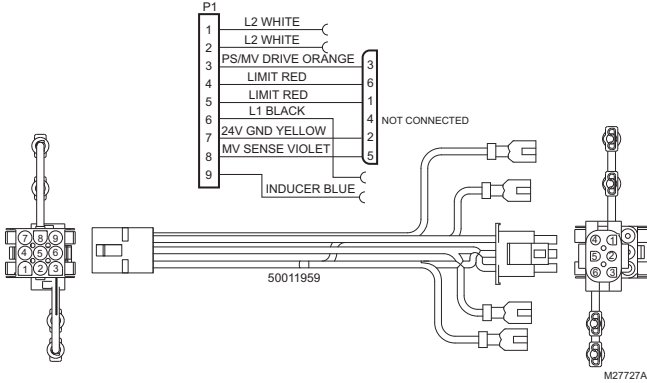


Fig. 7. ST9101 wire harness adapter 50011959 schematic.

Table 5. ST9141 Wire Harness Adapter (HPN 50034962-001) Connections.

| Connector/Wire Identification | Reference | Connect To... |
|-------------------------------|-----------|--|
| 9 pin | P1 | 9 pin system connector in ST9141 appliance |
| 6 pin | P2 | J1 connector at ST9120B,U |
| Gray | BRN_LIM | E5 (LIM) at ST9120B,U |
| Brown | PRSW_COM | E6 (PRSW) at ST9120B,U |

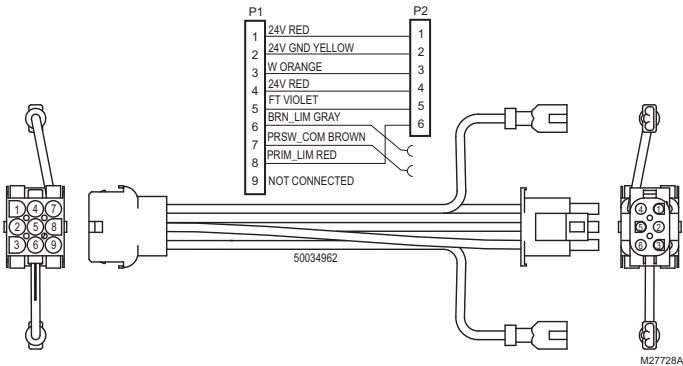


Fig. 8. ST9141 wire harness adapter 50034962 schematic.

Table 6. ST9160 Jumper Plug (HPN 50034963-001) Connections.

| Connector/Wire Identification | Connect To... |
|-------------------------------|---------------------------|
| 6 pin | J1 connector at ST9120B,U |

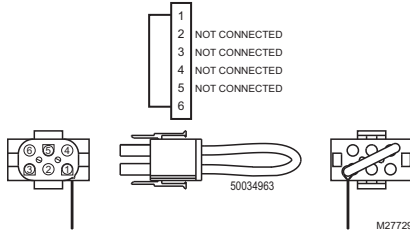
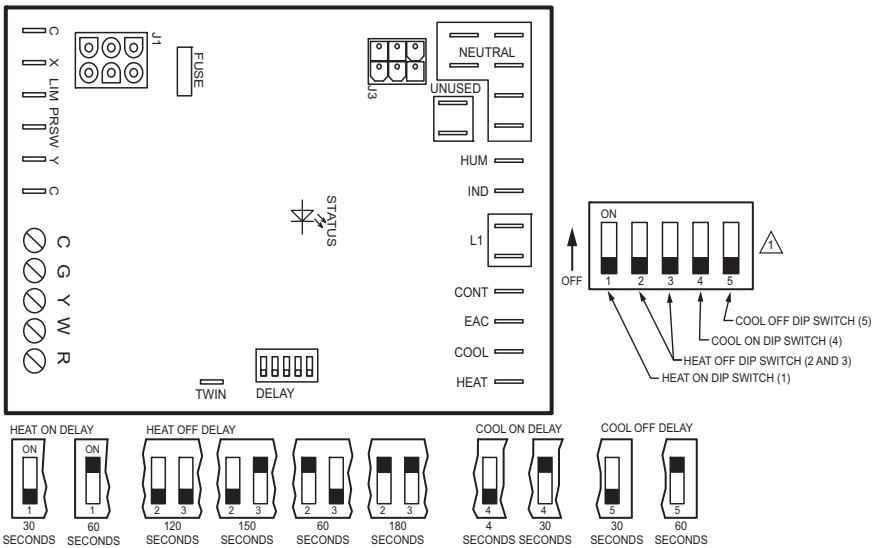


Fig. 9. ST9160 jumper plug 50034963 schematic.



CHECKOUT

OPERATE THE SYSTEM THROUGH AT LEAST ONE COMPLETE HEATING CYCLE AND COOLING CYCLE TO MAKE SURE THE SYSTEM OPERATES PROPERLY. TROUBLESHOOT BY CHECKING FOR APPROPRIATE VOLTAGES AT THE ST9120U, ST9120B TERMINALS CONTROLLING THE COMBUSTION BLOWER AND HEAT AND COOL SPEED CIRCULATING FAN. THE ST9120U,B SCHEMATICS SHOW INTERNAL SWITCHING TO CLARIFY OPERATION AND ASSIST IN TROUBLESHOOTING. SEE FIGS 5 AND 6.

⚠️ DEFAULT SETTING SHOWN.

M27730B

Fig. 10. Setting heat fan-on, heat fan-off, cool fan-on, and cool fan-off delay DIP switches.

CHECKOUT

Operate the system through at least one complete heating cycle and cooling cycle to make sure the system operates properly. Troubleshoot by checking for

appropriate voltages at the ST9120B,U terminals controlling the combustion blower and heat and cool speed circulating fan. The ST9120B,U schematics show internal switching to clarify operation and assist in troubleshooting. See Figs. 5 and 6.

Table 7. ST9120 Operation Mode.

| Action | System Response |
|---|--|
| Thermostat begins call for heat. (Terminal W is energized.) | <ol style="list-style-type: none"> 1. Inducer is energized. 2. Pressure switch makes (air flow is established). 3. Ignition system is energized. 4. Gas valve opens and main burner lights. 5. Heat fan-on delay timing begins. When timing is complete, circulating fan is energized at heat speed. |
| Thermostat ends call for heat. (Terminal W is de-energized.) | <ol style="list-style-type: none"> 1. Ignition system is de-energized and gas valve closes. 2. Inducer is de-energized after postpurge timing. 3. Heat fan-off delay timing begins. When timing is complete, the circulating fan is de-energized. |
| Thermostat begins call for cool. (Terminal Y is energized.) | <ol style="list-style-type: none"> 1. Cooling contactor is energized. 2. Circulating fan is energized at cool speed after cool fan-on delay timing. |
| Thermostat ends call for cool. (Terminal Y is de-energized.) | <ol style="list-style-type: none"> 1. Cooling contactor is de-energized. 2. Circulating fan is de-energized after cool fan-off delay timing. |
| Thermostat begins call for fan. (Terminal G is energized.) | <ol style="list-style-type: none"> 1. Circulating fan is energized at heat speed. 2. If call for heat occurs, circulating fan continues to run at heat speed. 3. If call for cool occurs, circulating fan switches to cool speed. <p>NOTE: Circulating fan can be switched off for one second during the transition between the fan speeds.</p> |
| Thermostat ends call for fan. (Terminal G is de-energized.) | <ol style="list-style-type: none"> 1. Circulating fan is de-energized. |
| Limit switch string opens. | <ol style="list-style-type: none"> 1. Thermostat and ignition system are de-energized and gas valve closes. 2. Inducer and circulating fan heat speed are energized. 3. LED flashes once. |
| Limit switch string remakes. | <ol style="list-style-type: none"> 1. Inducer remains energized for postpurge timing. 2. The circulating fan remains energized for the selected delay-off timing. 3. Normal operation resumes. |
| Continuous circulating fan is connected. (Optional connection to circulating fan low speed tap) | <ol style="list-style-type: none"> 1. Circulating fan low speed is energized when there is no call for heat, cool, or fan. 2. If fan operation is required by a call for heat, cool, or fan, ST9120B,U switches circulating fan to appropriate speed. |
| Electronic air cleaner is connected. (Optional connection to line voltage powered electronic air cleaner) | <ol style="list-style-type: none"> 1. In two-speed systems, the electronic air cleaner is energized when the heat or cool speed of the circulating fan is energized. 2. If continuous fan option is used, connect EAC to line voltage input L1. |
| Humidity control is connected. (Optional connection to line voltage powered humidifier) | <ol style="list-style-type: none"> 1. Humidifier is energized when Inducer is energized. |

Table 8. ST9141 Operation Mode.

| Action | System response |
|--|--|
| Thermostat begins call for heat. (Terminal W is energized.) | <ol style="list-style-type: none"> 1. Pressure switch to be confirmed in no airflow position. (if pressure switch shows airflow, LED flashes three times). 2. Inducer is energized. 3. Pressure switch makes (if pressure switch shows no airflow for 30 s, LED starts flashing three times). 4. Ignition system is energized. 5. Gas valve opens and main burner lights. |
| Thermostat ends call for heat. (Terminal W is de-energized.) | <ol style="list-style-type: none"> 1. Ignition system is de-energized and gas valve closes. 2. Inducer is de-energized after postpurge timing. 3. Heat fan-off delay timing begins. When timing is complete, the circulating fan is de-energized. |
| Thermostat begins call for cool. (Terminal Y is energized.) | <ol style="list-style-type: none"> 1. Cooling contactor is energized. 2. Circulating fan is energized at cool speed after cool fan-on delay timing. |

Table 8. ST9141 Operation Mode. (Continued)

| | |
|---|---|
| Thermostat ends call for cool. (Terminal Y is de-energized.)\ | <ol style="list-style-type: none"> 1. Cooling contactor is de-energized. 2. Circulating fan is de-energized after cool fan-off delay timing. |
| Thermostat begins call for fan. (Terminal G is energized.) | <ol style="list-style-type: none"> 1. Circulating fan is energized at heat speed 2. If a call for heat occurs, circulating fan continues to run at heat speed. 3. If a call for cool occurs, circulating fan switches to cool speed. <p>NOTE: Circulating fan can be switched off for one second during the transition between the fan speeds.</p> |
| Thermostat ends call for fan. (Terminal G is de-energized.) | <ol style="list-style-type: none"> 1. Circulating fan is de-energized. |
| Primary Limit switch string opens. | <ol style="list-style-type: none"> 1. Thermostat and ignition system are de-energized and gas valve closes. 2. Inducer is de-energized. 3. Circulating fan is energized at heat speed. If there is a call for cool the circulating fan switches to cool speed. 4. LED flashes twice. |
| Primary limit switch string closes. | <ol style="list-style-type: none"> 1. Circulating fan turns off after the selected heat fan-off delay timing. Normal operation resumes. |
| Primary limit switch string is open for more than 150 sec (on each of three consecutive cycles). | <ol style="list-style-type: none"> 1. Inducer, circulating fan and ignition system are de-energized. 2. Control goes into lockout mode. Control remains in lockout until 24 VAC power is removed and reapplied (control is reset). 3. LED flashes four times. |
| Burner limit switch string opens. | <ol style="list-style-type: none"> 1. Thermostat and ignition system are de-energized and gas valve closes. 2. Inducer and circulating fan heat speed are energized. 3. LED flashes once. |
| Burner limit switch string remakes. | <ol style="list-style-type: none"> 1. Inducer remains energized for postpurge timing. 2. The circulating fan remains energized for the selected delay-off timing. 3. Normal operation resumes. |
| Continuous circulating fan is connected. (Optional connection to circulating fan low speed tap) | <ol style="list-style-type: none"> 1. Circulating fan low speed is energized when there is no call for heat, cool, or fan. 2. If fan operation is required by a call for heat, cool, or fan, ST9120B,U switches circulating fan to appropriate speed. |
| Electronic air cleaner is connected. (Optional connection to line voltage powered electronic air cleaner) | <ol style="list-style-type: none"> 1. In two-speed systems, the electronic air cleaner is energized when the heat or cool speed of the circulating fan is energized. 2. If continuous fan option is used, connect EAC to line voltage input L1. |
| Humidity control is connected. (Optional connection to line voltage powered humidifier) | <ol style="list-style-type: none"> 1. Humidifier is energized when Inducer is energized. |

Table 9. ST9160 Operation Mode.

| Action | System response |
|--|--|
| Thermostat begins call for heat. (Terminal W is energized.) | <ol style="list-style-type: none"> 1. Request for heat is sent to the SVII system control. 2. Main burner lights. 3. Request for heat speed fan is received from SVII system control. 4. Heat fan-on delay timing begins. When timing is complete, circulating fan is energized at heat speed. |
| Thermostat ends call for heat. (Terminal W is de-energized.) | <ol style="list-style-type: none"> 1. Request for heat to the SVII system control stops. 2. Heat fan-off delay timing begins. When timing is complete, the circulating fan is de-energized. |
| Thermostat begins call for cool. (Terminal Y is energized.) | <ol style="list-style-type: none"> 1. Cooling contactor is energized. 2. Circulating fan is energized at cool speed after cool fan-on delay timing. |
| Thermostat ends call for cool. (Terminal Y is de-energized.) | <ol style="list-style-type: none"> 1. Cooling contactor is de-energized. 2. Circulating fan is de-energized after cool fan-off delay timing. |
| Thermostat begins call for fan. (Terminal G is energized.) | <ol style="list-style-type: none"> 1. Circulating fan is energized at heat speed 2. If a call for cool occurs, circulating fan switches to cool speed. <p>NOTE: Circulating fan can be switched off for one second during the transition between the fan speeds.</p> |
| Thermostat ends call for fan. (Terminal G is de-energized.) | <ol style="list-style-type: none"> 1. Circulating fan is de-energized. |
| Limit switch condition is received from the SVII control | <ol style="list-style-type: none"> 1. Circulating fan heat speed is energized. 2. LED flashes five times |
| Limit switch condition is removed from the SVII control | <ol style="list-style-type: none"> 1. The circulating fan remains energized for the selected delay-off timing. 2. Normal operation resumes. |

Table 9. ST9160 Operation Mode. (Continued)

| | |
|---|---|
| Continuous circulating fan is connected. (Optional connection to circulating fan low speed tap) | <ol style="list-style-type: none"> 1. Circulating fan low speed is energized when there is no call for heat, cool, or fan. 2. If fan operation is required by a call for heat, cool, or fan, ST9120B,U switches circulating fan to appropriate speed. |
| Electronic air cleaner is connected. (Optional connection to line voltage powered electronic air cleaner) | <ol style="list-style-type: none"> 1. In two-speed systems, the electronic air cleaner is energized when the heat or cool speed of the circulating fan is energized. 2. If continuous fan option is used, connect EAC to line voltage input L1. |
| Humidity control is connected. (Optional connection to line voltage powered humidifier) | <ol style="list-style-type: none"> 1. Humidifier is energized when there is call for heat. |

Table 10. Error Conditions.

| Error Condition | Operation |
|---|---|
| Burner limit open (ST9141) Limit open (ST9120) | <ol style="list-style-type: none"> 1. Inducer relay is energized. 2. If the thermostat Y terminal is energized then circulating fan shall run at cool speed otherwise the circulating fan shall run at heat speed. |
| Primary limit open | <ol style="list-style-type: none"> 1. If the thermostat Y terminal is energized then circulating fan shall run at cool speed otherwise the circulating fan shall run at heat speed. 2. If there are three consecutive primary limit open events longer than 150sec, then it issues the <i>overheated</i> error condition. |
| Pressure switch improperly closed or pressure switch open when Inducer is running | <ol style="list-style-type: none"> 1. The ignition system will not be energized. |
| Overheated | <ol style="list-style-type: none"> 1. All output relays are de-energized. 2. The device must be power-cycled to get out of this mode. |
| Smart Valve II limit open | <ol style="list-style-type: none"> 1. Inducer blower relay is energized. 2. If the thermostat Y terminal is energized then circulating fan shall run at cool speed otherwise the circulating fan shall run at heat speed. |
| Twinning error – packet loss ratio (PLR) greater than 78% (~10 sec drop-out) | <ol style="list-style-type: none"> 1. All twinning line communication is ignored. 2. The PLR must drop below 40% (~5 sec recovery) to resume further attempts for twinning communication. |
| AC-line error for more than 10 sec | <ol style="list-style-type: none"> 1. All output relays are de-energized. 2. Any change of the T-stat inputs is ignored, any information on the twinning bus is ignored. 3. The device resumes normal operation after 120 sec of proper AC-line condition. |



Resideo Technologies, Inc.
1985 Douglas Drive North, Golden Valley, MN 55422
1-800-468-1502

www.resideo.com 69-2252EF-09 M.S. Rev. 06-20 | Printed in United States

© 2020 Resideo Technologies, Inc. All rights reserved.

This product is manufactured by Resideo Technologies, Inc. and its affiliates.

Tous droits réservés. Ce produit est fabriqué par Resideo Technologies, Inc. et ses sociétés affiliées.



Minuteries de ventilateur universelles et électroniques ST9120B,U

NOTICE D'INSTALLATION

APPLICATION

Les minuteries de ventilateur électroniques ST9120B,U intègrent la commande de tous les ventilateurs d'air de combustion et d'air de circulation dans un générateur d'air chaud au gaz. Ils constituent le point de connexion central pour la plupart des composants électriques de l'appareil de chauffage. La fonction de base du ST9120B,U consiste principalement à surveiller les commandes de chauffage, de refroidissement et de ventilation du thermostat et à faire fonctionner le moteur du ventilateur d'air de combustion et celui du ventilateur de circulation d'air (jusqu'à deux vitesses). Le ST9120B,U surveille également le fonctionnement du câble de l'interrupteur de fin de course et alimente un système de régulation d'allumage distinct au moyen de pressostats. Le ST9120B,U peut remplacer tous les ST9101, ST9120, ST9141 ou ST9160 indiqués au Tableau ci-dessous. Le ST9120B,U est pourvu d'une temporisation d'arrêt ou de marche du ventilateur de chauffage réglable en clientèle et d'une temporisation d'arrêt ou de marche du ventilateur de refroidissement réglable en clientèle.

Des bornes de raccordement à un filtre à air électronique (EAC) et à un humidificateur (HUM) ainsi qu'un dispositif de circulation continue de l'air ambiant à basse vitesse sont fournis.

CARACTÉRISTIQUES TECHNIQUES

Caractéristiques électriques nominales :

Alimentation : 18 à 30 V c.a., 50/60 Hz.

Caractéristiques nominales des contacts :

Ventilateur d'air de combustion :

1,5 A pleine charge, 10 A rotor bloqué sous 115 V c.a.

0,75 A pleine charge, 5 A rotor bloqué sous 230 V c.a.

La charge de l'humidificateur (HUM) entraîne une réduction de la pleine charge nominale.

Ventilateur de circulation d'air

Vitesse chauffage-refroidissement

15 A pleine charge, 30 A rotor bloqué sous 115 V c.a.

7,5 A pleine charge, 15 A rotor bloqué sous 230 V c.a.

La charge du filtre à air électronique (EAC) entraîne une réduction de la pleine charge nominale.

Vitesse continue (facultative) :

8 A pleine charge, 16 A rotor bloqué sous 115 V c.a.

4 A pleine charge, 8 A rotor bloqué sous 230 V c.a.

Filtre à air électronique et humidificateur :

0,8 A charge maximum combinée sous 115 V c.a.

0,4 A charge maximum combinée sous 230 V c.a.

Charge du thermostat : 100 mA sous 24 V c.a., charge du système d'allumage non comprise.

Charge des bornes G, Y, du thermostat, de l'interrupteur de fin de course primaire, de l'interrupteur de fin de course du brûleur et du pressostat : 22 mA sous 24 V c.a. courant de charge/courant min. de charge.

Réglage de la temporisation (démarrage-arrêt) :

REMARQUE : La temporisation est établie pour une alimentation à 24 V c.a. et une fréquence de 60 Hz. À 50 Hz, la temporisation est prolongée de 20 %.

En régime de chauffage :

Temporisation de démarrage : réglable en clientèle de 30 à 60 secondes. La temporisation est enclenchée lorsque la vanne à gaz est activée.

Temporisation d'arrêt : réglable en clientèle à 60, 120, 150 ou 180 secondes. La temporisation est enclenchée lorsque la vanne à gaz est désactivée.

En régime de refroidissement :

Temporisation de démarrage : réglable en clientèle de 4 à 30 secondes.

Temporisation d'arrêt : réglable en clientèle de 30 à 60 secondes.

Tolérance de temporisation : la plus élevée de $\pm 2\%$ ou ± 2 secondes.

Temporisation de post-balayage :

5 secondes.

Conditions ambiantes nominales :

Température : - 40 ° à 79 °C [-40 ° à 175 °F].

Humidité : 5 à 95 % sans condensation.

Homologations :

Laboratoire des assureurs Inc.

INSTALLATION

Avant d'installer ce produit...

1. Lire attentivement les instructions. Le fait de ne pas les suivre risque d'endommager le produit ou de constituer un danger.
2. Vérifier les caractéristiques nominales indiquées dans les instructions et sur le produit, et s'assurer que celui-ci correspond bien à l'application prévue.
3. L'installateur doit être un technicien d'expérience ayant reçu la formation pertinente.
4. Une fois l'installation terminée, vérifier le fonctionnement du produit comme l'indiquent les présentes instructions.

AVERTISSEMENT

Risque de choc électrique.

Peut provoquer des blessures graves, entraîner la mort ou causer des dégâts matériels.

Couper l'alimentation avant l'installation pour éviter les chocs électriques et les dégâts matériels. Il se pourrait que plus d'un dispositif de coupure soit requis.

Emplacement et installation

Monter le ST9120B,U dans l'enceinte où se trouve le câblage à l'aide de deux vis autotaraudeuses n° 8 de 1/2 po.

Câblage

MISE EN GARDE

Risque d'incendie ou d'explosion.

À l'installation du ST9120B,U, vérifier soigneusement tous les fils de l'appareil pour confirmer qu'ils sont bien raccordés aux bonnes bornes du ST9120B,U. Un raccordement incorrect peut provoquer un risque d'explosion ou d'incendie ou endommager le matériel.

S'assurer que les raccordements sont conformes aux codes et aux règlements locaux. Couper l'alimentation électrique avant d'effectuer le raccordement. Observer les raccordements standards à la Fig. 1. Consulter les figures 7 à 9 pour observer le raccordement des adaptateurs fournis.

Commutateur DIP réglable

Le ST9120B,U peut être configuré pour une variété de temporisations au démarrage et à l'arrêt du chauffage et au démarrage et à l'arrêt du refroidissement. Régler les commutateurs DIP comme l'illustre la Fig. 10. La temporisation de démarrage en mode de chauffage est enclenchée lorsque la vanne à gaz principale et activée et au début de la demande de chaleur au thermostat; la temporisation d'arrêt en mode de chauffage est enclenchée lorsque la vanne à gaz principale est désactivée et à la fin de la demande de chaleur au thermostat. La temporisation de démarrage en mode de refroidissement est enclenchée lorsque le compresseur est activé et au début de la demande de froid au thermostat. La temporisation d'arrêt en mode de refroidissement est enclenchée lorsque le compresseur est activé et au début de la demande de froid au thermostat.

Pairage

Le pairage est employé lorsque deux régulateurs ST9120B,U fonctionnent en parallèle. En mode de pairage, les sorties du ventilateur (chauffage,

refroidissement et régime continu) sont activées ou désactivées aux deux régulateurs en même temps. Les deux ST9120B,U sont synchronisés au moyen d'un pont de communication utilisant des bornes de pairage à connexion rapide, du matériel de communication et un logiciel spécial.

Pour passer en mode de pairage, les deux ST9120B,U doivent partager une même mise à la terre 24 V c.a., ils doivent tous deux être alimentés par le même transformateur 24 V c.a. ou deux transformateurs à phases identiques, et les bornes TWIN doivent être raccordées entre elles. Il peut y avoir un ou deux ST9120B,U raccordés au thermostat.

Si deux transformateurs 24 V c.a. sont employés (un par ST9120B,U), les transformateurs doivent alors être en phase (les deux colonnes 24 V c.a. sous tension de chacun des ST9120B,U doivent avoir la même phase par rapport à la mise à la terre commune 24 V c.a.). Si les transformateurs ne sont pas en phase, le pairage n'aura pas lieu.

Seuls deux ST9120B,U peuvent être reliés entre eux pour fonctionner en mode de pairage. Le mode de pairage des ST9120B,U n'est pas compatible avec les anciennes minuteriers de ventilateur électroniques.

Pour fonctionner en mode de pairage :

1. Interrelier les bornes à connexion rapide C aux deux ST9120B,U devant fonctionner en mode de pairage.
2. Interrelier les bornes à connexion rapide TWIN aux deux ST9120B,U devant fonctionner en mode de pairage.
3. Utiliser des fils isolés de calibre 24 AWG au moins pour ces interconnexions. Le fil ne doit pas avoir plus de 5 m (15 pi) de long. Les fils C et TWIN doivent passer en parallèle l'un par rapport à l'autre. Ces fils ne doivent pas passer sous des fils haute tension, des câbles d'allumage ou d'autres sources de parasites électriques.

Directives de conversion du câblage du ST9120B,U

1. Éteindre toutes les sources d'alimentation électrique de l'appareil. Retirer soigneusement chaque fil et le raccorder à la borne correspondante du panneau de commande du nouveau ST9120B,U. Prendre soin de raccorder directement la nouvelle borne au fil portant la même étiquette d'identité, ou étiqueter chaque fil avant de le débrancher de son panneau de commande d'origine.
2. Repérer le numéro de modèle du panneau en cours de remplacement et régler les commutateurs DIP selon les indications du Tableau 3.



MISE EN GARDE

Risque d'incendie ou d'explosion

Les adaptateurs de faisceau de fils ST9101 et ST9141 sont très semblables, car ils comportent des connecteurs identiques. S'assurer de choisir le bon faisceau de fils en fonction du système câblé. Le choix du mauvais faisceau de fils pourrait endommager le système câblé et (ou) le régulateur ST9120B,U.

Directives de conversion du câblage du ST9101 au ST9120B,U

1. Éteindre toutes les sources d'alimentation électrique de l'appareil, retirer soigneusement chaque fil et le raccorder directement au panneau de commande du nouveau ST9120B,U avant de retirer le régulateur existant. Consulter le Tableau 1 pour déterminer quelle borne du ST9101 correspond à chaque connexion du ST9101. Raccorder les fils conformément au diagramme de la Fig. 3. Prendre soin de raccorder directement le fil à la nouvelle borne ou étiqueter chaque fil avant de le débrancher de son panneau de commande d'origine.



MISE EN GARDE

Utilisation d'un filtre à air électronique.

Si un filtre à air électronique est employé avec des systèmes dont le ventilateur fonctionne en continu, raccorder le filtre à air électronique à l'entrée tension secteur L1.

2. Débrancher le connecteur à 9 broches et brancher le faisceau de fils existant directement dans le connecteur à 9 broches de l'adaptateur de faisceau de fils 50011959 du ST9101. Voir la Fig. 7 et le Tableau 4 pour obtenir une description plus détaillée de l'adaptateur de faisceau de fils.
3. Raccorder le connecteur à 6 broches de l'adaptateur de raccordement du ST9101 directement au connecteur à 6 broches ouvert du panneau de commande du nouveau ST9120B,U.
4. Les deux fils blancs restants de l'adaptateur de raccordement du ST9101 doivent être raccordés à la borne à connexion rapide neutre du ST9120B,U.
5. Le fil noir de l'adaptateur de raccordement du ST9101 doit être raccordé à la borne à connexion rapide L1 du ST9120B,U.
6. Le fil bleu de l'adaptateur de raccordement du ST9101 doit être raccordé à la borne à connexion rapide IND du ST9120B,U.
7. Repérer le numéro de modèle du panneau en cours de remplacement et régler les commutateurs DIP selon les indications du Tableau 3.
8. Vérifier si les connexions sont adéquates en consultant la Fig. 3.

Tableau 1. Conversions du raccordement lors du remplacement d'un ST9101 par un ST9120B,U.

| ST9101 | ST9120 | ST9141 | ST9160 | ST9120B,U |
|-----------------------------|----------------------------------|----------------------------------|-----------------|---|
| CHAUFFAGE | CHAUFFAGE | CHAUFFAGE | CHAUFFAGE | CHAUFFAGE |
| REFROIDISSEMENT | REFROIDISSEMENT | REFROIDISSEMENT | REFROIDISSEMENT | REFROIDISSEMENT |
| | CONT | CONT | CONT | CONT |
| ACC | --- | --- | --- | * pour systèmes à un régime de ventilateur (voir remarque ci-dessous) |
| | DI | DI | --- | IND |
| S | S1 à S3 | S1 à S3 | L1 | L1 |
| M1 | CONDUCTEURS DU MOTEUR INUTILISÉS | CONDUCTEURS DU MOTEUR INUTILISÉS | M1 | INUTILISÉ |
| M2 | CONDUCTEURS DU MOTEUR INUTILISÉS | CONDUCTEURS DU MOTEUR INUTILISÉS | M2 | INUTILISÉ |
| N | N | N | N | N |
| X | X | XI | 24 V c.a. | X |
| C | C | C | 1 | COM |
| --- | VITESSE SUP | VITESSE SUP | --- | --- |
| --- | Z1 | Z1 | TWIN H | ** TWIN H (voir la remarque ci-dessous) |
| --- | --- | --- | DONNÉES | DONNÉES |
| Bornes du thermostat | | | | |
| R | R | R | R | R |
| Y | Y | Y | Y | Y |
| C | C | C | C | C |
| W | W | W | W | W |
| G | | | | |

* La borne ACC est utilisée dans les systèmes ST9101 qui ont le même régime de ventilateur en mode de chauffage et de refroidissement. Pour qu'un ST9120B,U puisse remplacer les régulateurs ST9101 dans ce type de système, la connexion du ventilateur qui était faite auparavant à la borne ACC des ST9101 doit être faite aux connexions de chauffage et de refroidissement du ST9120B,U.

** La borne TWIN sert à relier entre eux deux régulateurs ST9120B,U pour qu'ils fassent fonctionner les sorties de ventilateur simultanément. La fonction de pairage du nouveau ST9120B,U ne peut être employée avec les anciens régulateurs.

Directives de conversion du câblage du ST9141 au ST9120B,U

1. Éteindre toutes les sources d'alimentation électrique de l'appareil, retirer soigneusement chaque fil et le raccorder directement au panneau de commande du nouveau ST9120B,U avant de retirer le régulateur existant. Consulter le Tableau 1 pour déterminer quelle borne du ST9120U correspond à chaque connexion du ST9141. Prendre soin de raccorder directement le fil à la nouvelle borne ou étiqueter chaque fil avant de le débrancher de son panneau de commande d'origine.
2. Débrancher le connecteur à 9 broches et brancher le faisceau de fils existant directement dans le connecteur à 9 broches de l'adaptateur de faisceau de fils 50034962 du ST9141. Voir la Fig. 8 et le Tableau 5 pour obtenir une description plus détaillée de l'adaptateur de faisceau de fils.
3. Raccorder le connecteur à 6 broches de l'adaptateur de raccordement du ST9141 directement au connecteur à 6 broches ouvert du panneau de commande du nouveau ST9120B,U.
4. Le fil gris de l'adaptateur de raccordement du ST9141 doit être raccordé à la borne à connexion rapide LIM du ST9120B,U.
5. Le fil brun de l'adaptateur de raccordement du ST9141 doit être raccordé à la borne à connexion rapide PRSW du ST9120B,U.

6. Repérer le numéro de modèle du panneau en cours de remplacement et régler les commutateurs DIP selon les indications du Tableau 3.
7. Vérifier si les connexions sont adéquates en consultant le Fig. 4.

Directives de conversion du câblage du ST9160 au ST9120B,U

1. Éteindre toutes les sources d'alimentation électrique de l'appareil, retirer soigneusement chaque fil et le raccorder directement au panneau de commande du nouveau ST9120B,U avant de retirer le régulateur existant. Consulter le Tableau 1 pour déterminer quelle borne du ST9120U correspond à chaque connexion du ST9160.
2. Débrancher le connecteur à 6 broches et le raccorder au connecteur J3 du ST9120U.
3. Brancher le cavalier dans le connecteur J1 du ST9120U.
4. Repérer le numéro de modèle du panneau en cours de remplacement et régler les commutateurs DIP selon les indications du Tableau 3.
5. Vérifier si les connexions sont adéquates en consultant le Fig. 5 ou 6.

Voyant de diagnostic

Le régulateur ST9120 affiche les voyants d'état et les codes de diagnostic suivants, expliqués au Tableau 2.

Tableau 2. Codes de dépannage des voyants de diagnostic.

| Nombre de clignotements | État |
|-----------------------------------|---|
| faible/allumé (battement de cœur) | Le dispositif fonctionne correctement. |
| 1 | Interrupteur de fin de course (ST9120) ou interrupteur de fin de course du brûleur (ST9141) ouvert. |
| 2 | Interrupteur de fin de course primaire (ST9141) ouvert. |
| 3 | Pressostat mal fermé ou pressostat ouvert lorsque le moteur du ventilateur d'air de combustion fonctionne depuis plus de 30 secondes. |
| 4 | Le régulateur est mis sous sécurité parce que l'air ne circule pas (surchauffe). |
| 5 | Interrupteur de fin de course de la vanne Smart Vanne ouvert. |
| 6 | Corruption de la communication du mode de pairage (vérifier la phase des transformateurs du système). |
| 7 | Problème d'alimentation 24 V c.a. |

Tableau 3. Réglage recommandé des commutateurs DIP.

| Numéro de modèle de l'appareil remplacé | Fabricant d'origine de l'appareil | Temporisation de l'ancien régulateur | | | | Nouveau ST9120B,U | | | | | | | | |
|---|-----------------------------------|--------------------------------------|---------------|--------------|-------------|-------------------|----|---------------|--------|-----|-----------------|---|----------------|----|
| | | Chaleur marche | Chaleur arrêt | Refr. marche | Refr. arrêt | Chaleur marche | | Chaleur arrêt | | | Refrroid marche | | Refrroid arrêt | |
| | | s | s | s | s | 1 | s | 2 | 3 | s | 4 | s | 5 | s |
| ST9101A1006 | Rheem | 30 | 100 | 4 | 0 | arrêt | 30 | arrêt | arrêt | 120 | arrêt | 4 | arrêt | 30 |
| ST9101A1006 | Rheem | 30 | 100 | 4 | 0 | arrêt | 30 | arrêt | arrêt | 120 | arrêt | 4 | arrêt | 30 |
| ST9101A1022 | Trade | 30 | 100 | 4 | 0 | arrêt | 30 | arrêt | arrêt | 120 | arrêt | 4 | arrêt | 30 |
| ST9120A1006 | Armstrong | 30 | 100 | 4 | 0 | arrêt | 30 | arrêt | arrêt | 120 | arrêt | 4 | arrêt | 30 |
| ST9120A2004 | Armstrong | 30 | 140 | 4 | 0 | marche | 30 | arrêt | marche | 150 | arrêt | 4 | arrêt | 30 |
| ST9120B1005 | Ducane | 30 | 60 | 4 | 0 | arrêt | 30 | marche | arrêt | 60 | arrêt | 4 | arrêt | 30 |
| ST9120C1012 | Snyder General | 60 | 100 | 4 | 0 | marche | 60 | arrêt | arrêt | 120 | arrêt | 4 | arrêt | 30 |
| ST9120C1020 | Nordyne | 60 | 100 | 4 | 0 | marche | 60 | arrêt | arrêt | 120 | arrêt | 4 | arrêt | 30 |
| ST9120C2002 | York | 30 | 100 | 4 | 30 | arrêt | 30 | arrêt | arrêt | 120 | arrêt | 4 | arrêt | 30 |

*Il faudra peut-être ajuster la temporisation d'arrêt du chauffage selon le rendement. Voir la Fig. 10 pour savoir comment ajuster la temporisation.

Tableau 3. Réglage recommandé des commutateurs DIP. (Continué)

| Numéro de modèle de l'appareil remplacé | Fabricant d'origine de l'appareil | Temporisation de l'ancien régulateur | | | | Nouveau ST9120B,U | | | | | | | | | |
|---|-----------------------------------|--------------------------------------|---------------|--------------|-------------|-------------------|----|---------------|--------|-----|----------------|----|---------------|----|--|
| | | Chaleur marche | Chaleur arrêt | Refr. marche | Refr. arrêt | Chaleur marche | | Chaleur arrêt | | | Refroid marche | | Refroid arrêt | | |
| | | s | s | s | s | 1 | s | 2 | 3 | s | 4 | s | 5 | s | |
| ST9120C2010 | Ducane | 30 | 100 | 4 | 30 | arrêt | 30 | arrêt | arrêt | 120 | arrêt | 4 | arrêt | 30 | |
| ST9120C2028 | Armstrong | 30 | 100 | 4 | 60 | arrêt | 30 | arrêt | arrêt | 120 | arrêt | 4 | marche | 60 | |
| ST9120C3000 | ICP | 30 | 140 | 30 | 30 | arrêt | 30 | arrêt | marche | 150 | marche | 30 | arrêt | 30 | |
| ST9120C3018 | Bard | 60 | 100 | 4 | 60 | marche | 60 | arrêt | arrêt | 120 | arrêt | 4 | marche | 30 | |
| ST9120C4008 | ICP | 30 | 140 | 30 | 30 | arrêt | 30 | arrêt | marche | 150 | marche | 30 | arrêt | 30 | |
| ST9120C4016 | ICP | 30 | 140 | 30 | 30 | arrêt | 30 | arrêt | marche | 150 | marche | 30 | arrêt | 30 | |
| ST9120C4040 | ICP | 30 | 140 | 30 | 30 | arrêt | 30 | arrêt | marche | 150 | marche | 30 | arrêt | 30 | |
| ST9120C4057 | ICP | 30 | 140 | 30 | 30 | arrêt | 30 | arrêt | marche | 150 | marche | 30 | arrêt | 30 | |
| *ST9120C5005 | ICP | 30 | 140 | 4 | 30 | arrêt | 30 | arrêt | marche | 150 | arrêt | 4 | arrêt | 30 | |
| *ST9120C5013 | ICP | 30 | 140 | 4 | 30 | arrêt | 30 | arrêt | marche | 150 | arrêt | 4 | arrêt | 30 | |
| *STD3009 | Goodman | 30 | 140 | 4 | 60 | arrêt | 30 | arrêt | marche | 150 | arrêt | 4 | marche | 60 | |
| ST9120G2008 | ICP | 60 | 100 | 30 | 0 | marche | 60 | arrêt | arrêt | 120 | marche | 30 | arrêt | 30 | |
| ST9120G2016 | ICP | 30 | 100 | 30 | 30 | arrêt | 30 | arrêt | arrêt | 120 | marche | 30 | arrêt | 30 | |
| ST9120G2024 | Skymark | 30 | 60 | 30 | 30 | arrêt | 30 | marche | arrêt | 60 | marche | 30 | arrêt | 30 | |
| ST9120G2032 | Skymark | 30 | 60 | 4 | 100 | arrêt | 30 | marche | arrêt | 60 | arrêt | 4 | marche | 60 | |
| ST9120G4004 | ICP | 30 | 140 | 30 | 30 | arrêt | 30 | arrêt | marche | 150 | marche | 30 | arrêt | 30 | |
| ST9120G4012 | ICP | 30 | 140 | 30 | 30 | arrêt | 30 | arrêt | marche | 150 | marche | 30 | arrêt | 30 | |
| ST9120G4038 | Trade | 30 | 140 | 30 | 30 | arrêt | 30 | arrêt | marche | 150 | marche | 30 | arrêt | 30 | |
| ST9120U1003 | Trade | 30 | 140 | 4 | 30 | arrêt | 30 | arrêt | marche | 150 | arrêt | 4 | arrêt | 30 | |
| ST9141A1002 | Consolidate d Industries | 30 | 140 | 6 | 60 | arrêt | 30 | arrêt | marche | 150 | arrêt | 4 | marche | 60 | |
| ST9141A1028 | Consolidate d Industries | 30 | 140 | 6 | 60 | arrêt | 30 | arrêt | marche | 150 | arrêt | 4 | marche | 60 | |
| ST9141B1001 | Consolidate d Industries | 75 | 180 | 6 | 60 | marche | 60 | marche | marche | 180 | arrêt | 4 | marche | 60 | |
| ST9150A1003 | Consolidate d Industries | 36 | 168 | 7 | 72 | arrêt | 30 | marche | marche | 180 | arrêt | 4 | marche | 60 | |
| ST9150B2000 | | 36 | 144 | 7 | 0 | arrêt | 30 | arrêt | marche | 150 | arrêt | 4 | arrêt | 30 | |
| ST9150B2018 | ICP | 30 | 140 | 30 | 30 | arrêt | 30 | arrêt | marche | 150 | marche | 30 | arrêt | 30 | |
| ST9150B2026 | Ducane | 36 | 144 | 7 | 36 | arrêt | 30 | arrêt | marche | 150 | arrêt | 4 | arrêt | 30 | |
| ST9150B2034 | | 36 | 144 | 7 | 36 | arrêt | 30 | arrêt | marche | 150 | arrêt | 4 | arrêt | 30 | |
| ST9160A1002 | Armstrong | 30 | 90 | 6 | 60 | arrêt | 30 | arrêt | arrêt | 120 | arrêt | 4 | marche | 60 | |
| ST9160B1001 | | 30 | 120 | 6 | 30 | arrêt | 30 | arrêt | arrêt | 120 | arrêt | 4 | arrêt | 30 | |
| ST9160B1019 | | 30 | 120 | 6 | 30 | arrêt | 30 | arrêt | arrêt | 120 | arrêt | 4 | arrêt | 30 | |
| ST9160B1027 | | 30 | 120 | 6 | 60 | arrêt | 30 | arrêt | arrêt | 120 | arrêt | 4 | marche | 60 | |
| ST9160B1035 | | 30 | 120 | 6 | 30 | arrêt | 30 | arrêt | arrêt | 120 | arrêt | 4 | arrêt | 30 | |
| ST9160B1043 | ICP | 30 | 140 | 6 | 30 | arrêt | 30 | arrêt | marche | 150 | arrêt | 4 | arrêt | 30 | |
| ST9160B1050 | ICP | 30 | 140 | 6 | 60 | arrêt | 30 | arrêt | marche | 150 | arrêt | 4 | marche | 60 | |
| ST9160B1068 | Armstrong | 30 | 120 | 6 | 60 | marche | 30 | arrêt | arrêt | 120 | arrêt | 4 | marche | 30 | |
| ST9160B1076 | Ducane | 30 | 120 | 6 | 30 | arrêt | 30 | arrêt | arrêt | 120 | arrêt | 4 | arrêt | 30 | |
| ST9160B1084 | ICP | 30 | 140 | 6 | 90 | arrêt | 30 | arrêt | marche | 150 | arrêt | 4 | marche | 60 | |
| ST9160C1000 | | 30 | 140 | 30 | 30 | arrêt | 30 | arrêt | marche | 150 | marche | 30 | arrêt | 30 | |
| ST9160C1018 | | 30 | 140 | 30 | 30 | arrêt | 30 | arrêt | marche | 150 | marche | 30 | arrêt | 30 | |
| * Réglage en usine du ST9120B,U | | | | | | arrêt | 30 | arrêt | arrêt | 120 | arrêt | 4 | arrêt | 30 | |

*Il faudra peut-être ajuster la temporisation d'arrêt du chauffage selon le rendement. Voir la Fig. 10 pour savoir comment ajuster la temporisation.

REMARQUE : Il se pourrait que les temporisations ne soient pas les mêmes que celles de l'appareil remplacé; des ajustements pourraient s'avérer nécessaires.

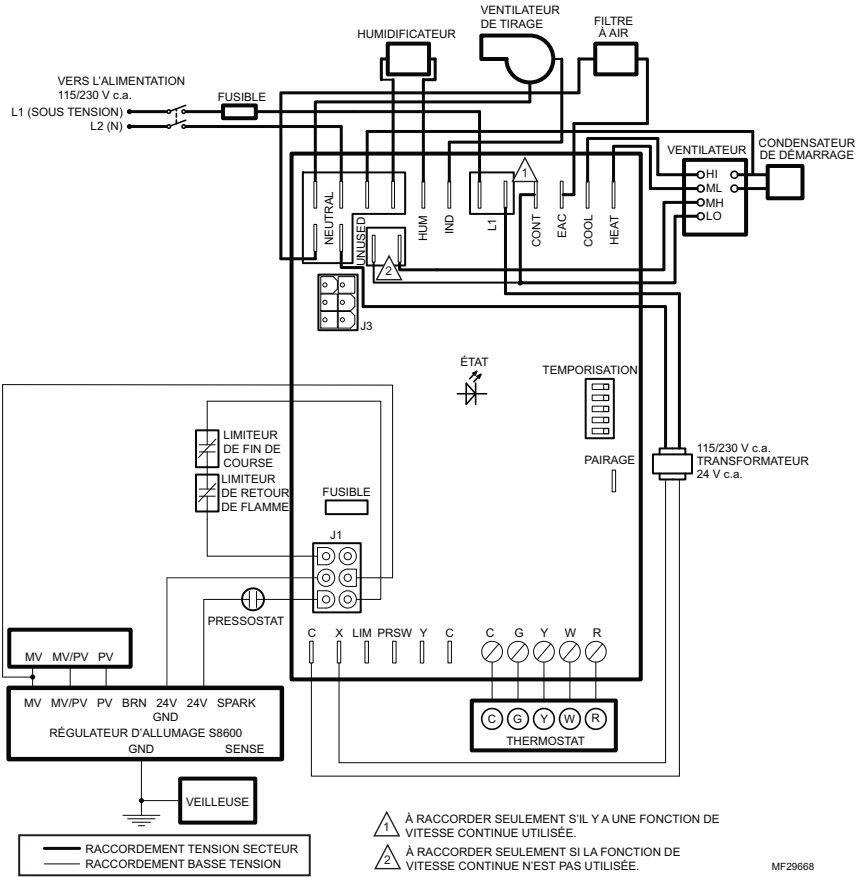


Fig. 1. Schéma de raccordement type du ST9120 à un module pour système d'allumage à veilleuse intermittente S8600.

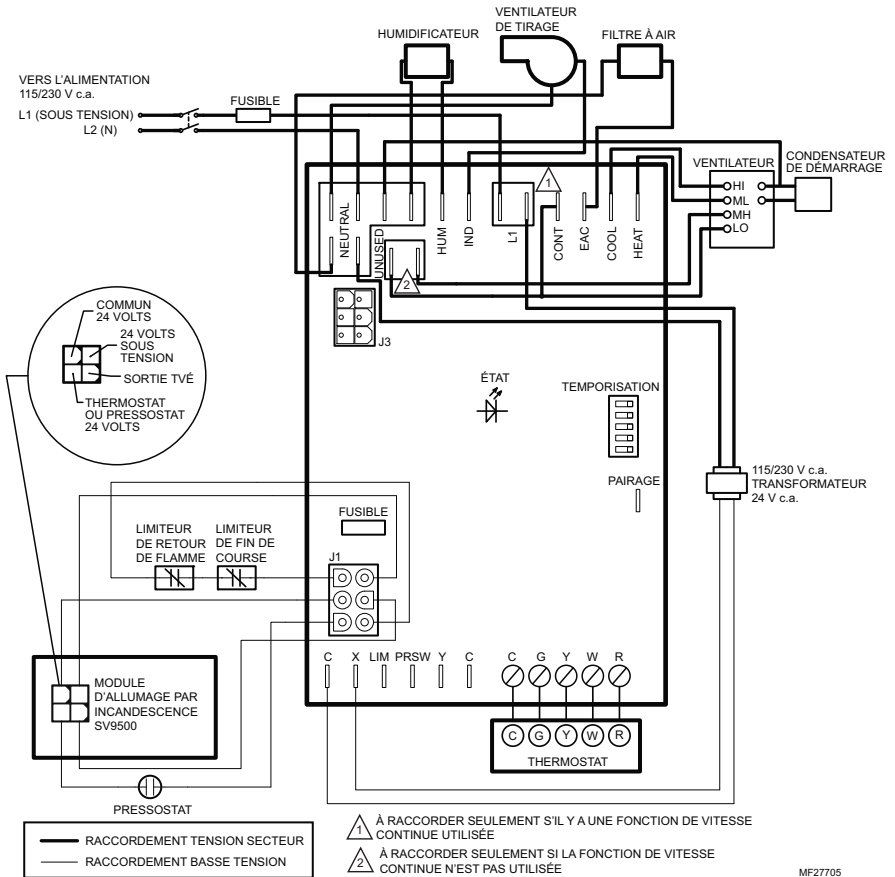


Fig. 2. Schéma de raccordement type du ST9120 au système SmartValveMC SV9500/SV9501.

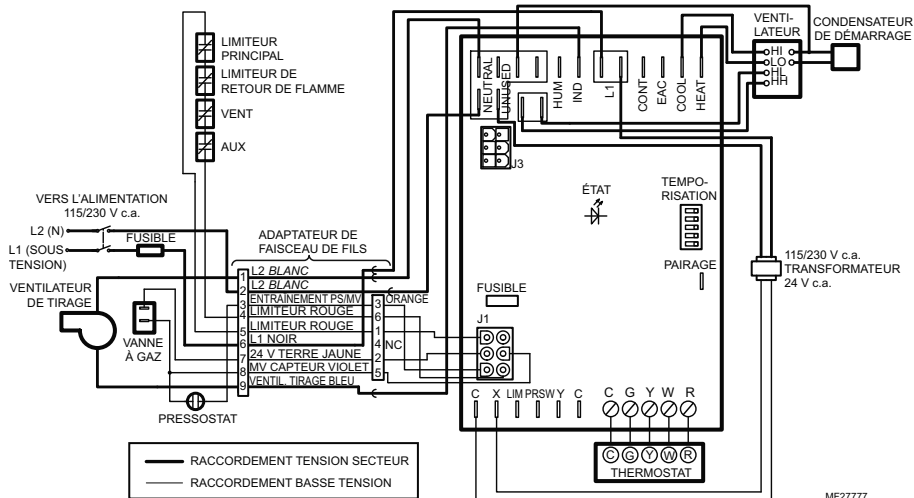


Fig. 3. Schéma de raccordement type du ST9120B,U dans un système ST9101.

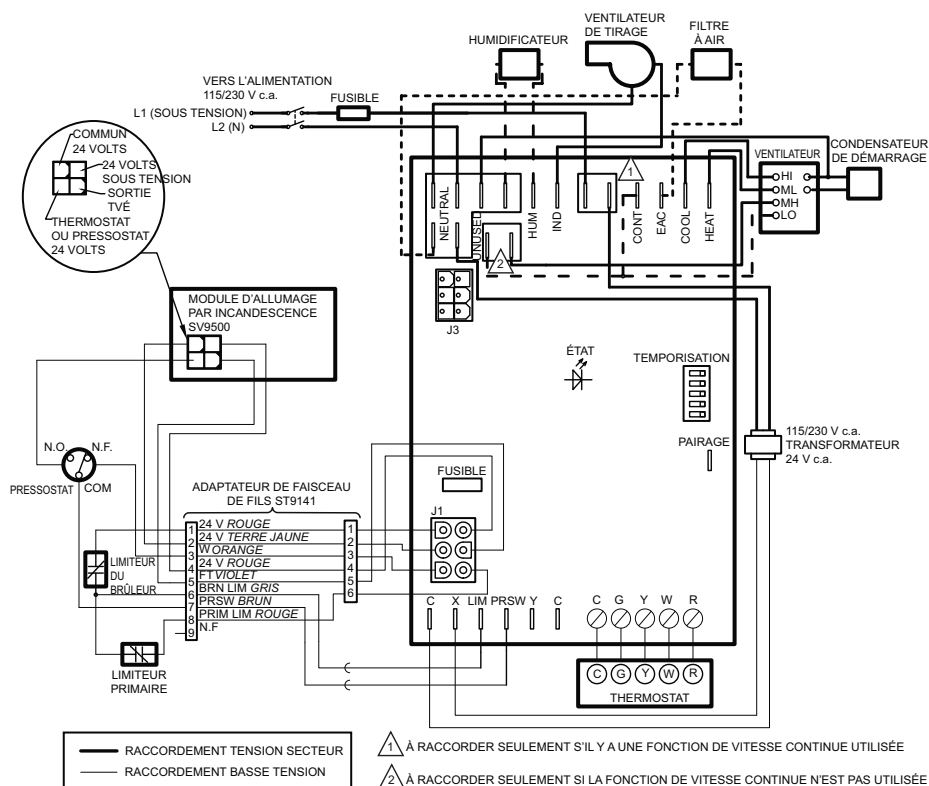
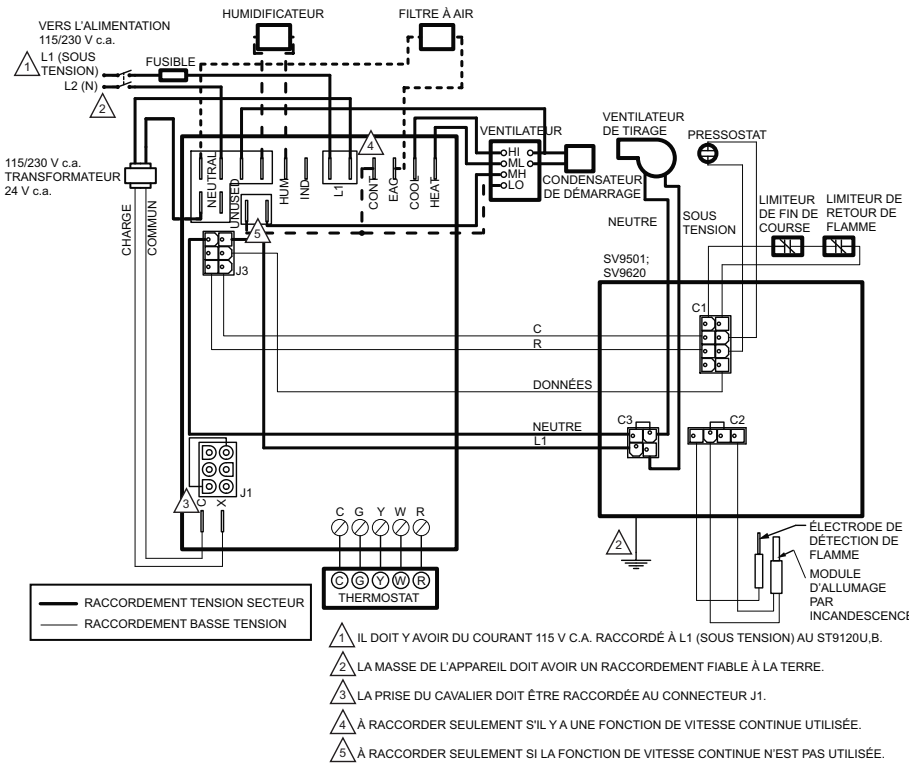
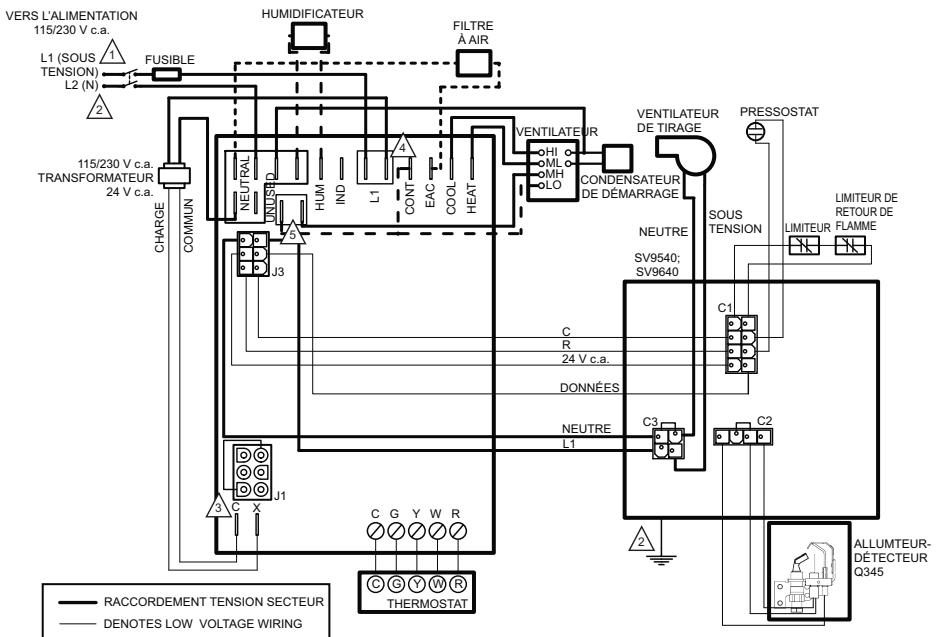


Fig. 4. Schéma de raccordement type du ST9120B,U dans un système ST9141 avec régulateur SmartValve^{MC} SV9500/SV9501.



MF16880

Fig. 5. Schéma de raccordement type du ST9120B,U dans un système ST9160 avec régulateur SmartValve^{MC} SV9510/SV9520.



1 DANS LES INSTALLATIONS À 115 V c.a., 50/60 Hz, IL DOIT Y AVOIR DU COURANT 115 V c.a. RACCORDÉ À L1 (SOUS TENSION) AU ST9120B,U. DANS LES INSTALLATIONS À 230 V c.a., 50/60 Hz, IL DOIT Y AVOIR DU COURANT 115 V c.a. ENTRE À L1 (SOUS TENSION) ET LA MASSE DE L'APPAREIL.

DANS LES INSTALLATION À 230 V c.a., 50 Hz, N'UTILISER QUE LA VANNE SMART VALVE DONT LES CARACTÉRISTIQUES ÉLECTRIQUES NOMINALES CORRESPONDENT AUX PARAMÈTRES DU COURANT TENSION SECTEUR.

2 LA MASSE DE L'APPAREIL DOIT AVOIR UN RACCORDEMENT FIABLE À LA TERRE.

3 LA PRISE DU CAVALIER DOIT ÊTRE RACCORDÉE AU CONNECTEUR J1.

4 À RACCORDER SEULEMENT S'IL Y A UNE FONCTION DE VITESSE CONTINUE UTILISÉE.

5 À RACCORDER SEULEMENT SI LA FONCTION DE VITESSE CONTINUE N'EST PAS UTILISÉE.

MF27724A

Fig. 6. Schéma de raccordement type du ST9120B,U dans un système ST9160 avec régulateur SmartValve^{MC} SV9540/SV9640.

Tableau 4. Connexions à l'adaptateur de faisceaux de fils ST9101 (no de pièce 50011959-001).

| Connecteur/ Couleur du fil | Référence | Raccordé à... |
|-------------------------------|-----------------------|--|
| 9 broches | P1 | Connecteur du système à 9 broches dans l'appareil ST9101 |
| 6 broches | P2 | Connecteur J1 au ST9120B,U |
| Blanc | L2 | E13/E15/E18/E20/E23/E26 (Neutre) au ST9120B,U |
| Blanc | L2 | E13/E15/E18/E20/E23/E26 (Neutre) au ST9120B,U |
| Noir | L1 | E12/E14 (L1 phase) au ST9120B,U |
| Bleu | VENTILATEUR DE TIRAGE | E17 (sortie du ventilateur de tirage) au ST9120B,U |

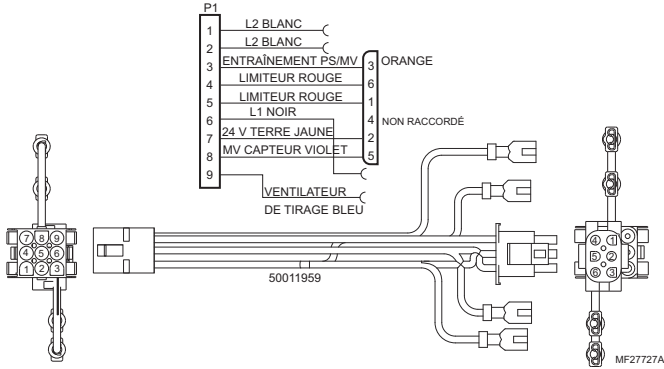


Fig. 7. Schéma de raccordement de l'adaptateur de faisceaux de fils ST9101 (n° de pièce 50011959).

Tableau 5. Connexions à l'adaptateur de faisceaux de fils ST9141 (no de pièce 50034962-001).

| Connecteur/Couleur du fil | Référence | Raccordé à... |
|---------------------------|-----------|--|
| 9 broches | P1 | Connecteur du système à 9 broches dans l'appareil ST9141 |
| 6 broches | P2 | Connecteur J1 au ST9120B,U |
| Gris | BRN_LIM | E5 (LIM) au ST9120B,U |
| Brun | PRSW_COM | E6 (PRSW) au ST9120B,U |

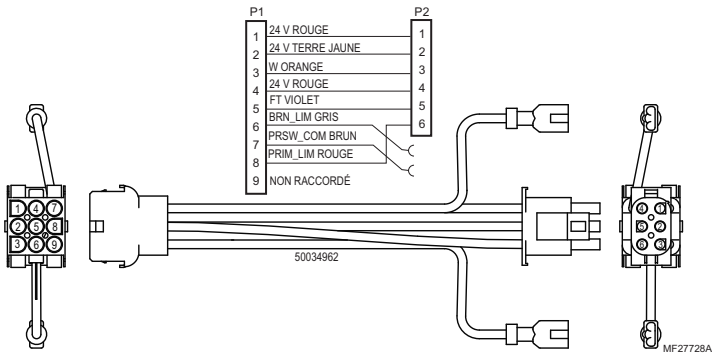


Fig. 8. Schéma de raccordement de l'adaptateur de faisceaux de fils ST9141 (n° de pièce 50034962).

Tableau 6. Connexions de la prise du cavalier du ST9160 (no de pièce 50034963-001).

| Connecteur/Couleur du fil | Raccordé à... |
|---------------------------|----------------------------|
| 6 broches | Connecteur J1 au ST9120B,U |

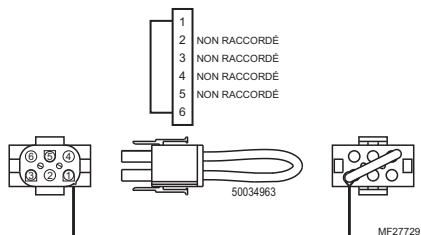
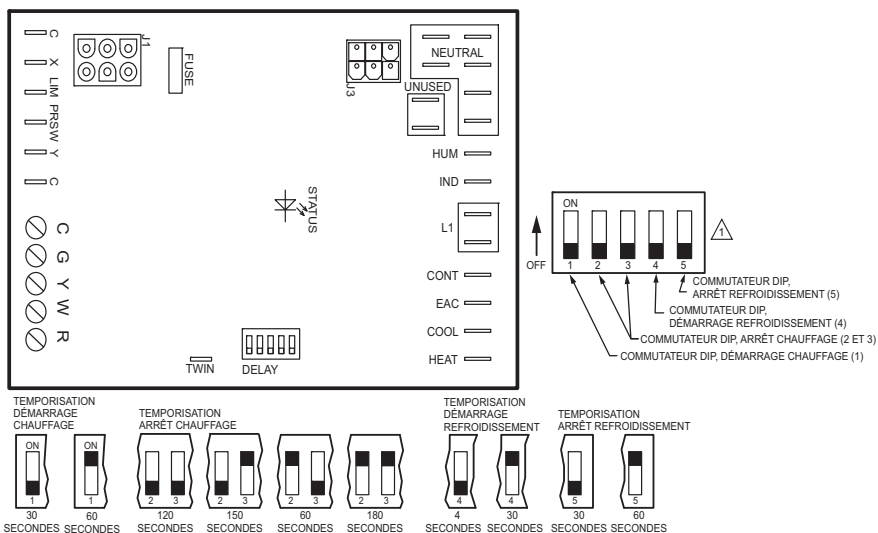


Fig. 9. Schéma de raccordement de la prise du cavalier du ST99160, n° de pièce 50034963.



VÉRIFICATION

FAIRE FONCTIONNER LE SYSTÈME PENDANT UN CYCLE COMPLET DE CHAUFFAGE ET UN CYCLE COMPLET DE REFRROIDISSEMENT POUR VÉRIFIER S'IL FONCTIONNE NORMALEMENT.

DIAGNOSTIQUER LES ANOMALIES EN VÉRIFIANT LA TENSION AUX BORNES DU ST9120U, ST9120B QUI COMMANDENT LE VENTILATEUR D'AIR DE COMBUSTION ET LE VENTILATEUR DE CIRCULATION D'AIR EN RÉGIME DE CHAUFFAGE ET EN RÉGIME DE REFRROIDISSEMENT. LES SCHEMAS DU CÂBLAGE INTERNE DU ST9120B.U PERMETTENT DE MIEUX COMPRENDRE LE FONCTIONNEMENT DU SYSTÈME ET DE DÉTECTER LES CAUSES D'ANOMALIES. VOIR LES FIGURES 5 ET 6.

⚠ LE RÉGLAGE ILLUSTRÉ EST LE RÉGLAGE PAR DÉFAUT.

MF27730B

Fig. 10. Réglages des commutateurs DIP pour le temporisation au démarrage du chauffage, à l'arrêt du chauffage, au démarrage du refroidissement et à l'arrêt du refroidissement.

VÉRIFICATION

Faire fonctionner le système pendant un cycle complet de chauffage et un cycle complet de refroidissement pour vérifier s'il fonctionne normalement. Diagnostiquer les anomalies en vérifiant la tension aux bornes du

ST9120B,U qui commandent le ventilateur d'air de combustion et le ventilateur de circulation d'air en régime de chauffage et en régime de refroidissement. Les schémas du câblage interne du ST9120B,U permettent de mieux comprendre le fonctionnement du système et de détecter les causes d'anomalies. Voir les Fig. 5 et 6.

Tableau 7. Mode de fonctionnement du ST9120.

| Action | Réaction du système |
|--|--|
| Le thermostat fait un appel de chaleur. (Borne W sous tension.) | <ol style="list-style-type: none"> 1. Le ventilateur de tirage est sous tension. 2. L'interrupteur de ventilation se ferme. (Il y a débit d'air). 3. Le système d'allumage est activé. 4. La vanne à gaz s'ouvre et le brûleur principal s'allume. 5. La temporisation de démarrage du ventilateur de chauffage commence. À la fin de la temporisation, le ventilateur passe au régime haute vitesse. |
| Fin de la demande de chaleur du thermostat. (Borne W hors tension.) | <ol style="list-style-type: none"> 1. Le système d'allumage est hors tension et la vanne à gaz se ferme. 2. Le ventilateur d'air de combustion est hors tension à la fin de la temporisation de post-balayage. 3. La temporisation d'arrêt du ventilateur de chauffage commence. À la fin de la temporisation, le ventilateur de circulation d'air est hors tension. |
| Le thermostat lance une demande de refroidissement. (Bornes G et Y sous tension.) | <ol style="list-style-type: none"> 1. Le contacteur de refroidissement est activé. 2. Le ventilateur de circulation d'air est activé en régime de refroidissement à la fin de la temporisation de démarrage. |
| Fin de la demande de refroidissement du thermostat. (Bornes G et Y hors tension.) | <ol style="list-style-type: none"> 1. Le contacteur de refroidissement est hors tension. 2. Le ventilateur de circulation d'air s'arrête à la fin de la temporisation d'arrêt du ventilateur en régime de refroidissement. |
| Le thermostat commande le ventilateur. (Borne G sous tension.) | <ol style="list-style-type: none"> 1. Le ventilateur de circulation d'air fonctionne en régime de chauffage. 2. S'il y a un appel de chaleur, le ventilateur de circulation d'air continue de fonctionner en régime de chauffage. 3. S'il y a une commande de refroidissement, le ventilateur de circulation d'air passe au régime de refroidissement. <p>REMARQUE : Le ventilateur de circulation d'air peut s'arrêter pendant quelques secondes pendant le passage d'un régime à l'autre.</p> |
| Fin de la demande de ventilation du thermostat. (Borne G hors tension.) | <ol style="list-style-type: none"> 1. Le ventilateur de circulation d'air est hors tension. |
| Le câble de l'interrupteur de fin de course s'ouvre. | <ol style="list-style-type: none"> 1. Le thermostat et le système d'allumage sont hors tension et la vanne à gaz se ferme. 2. Le ventilateur d'air de combustion et le ventilateur de circulation d'air en régime de chauffage sont sous tension. 3. Le voyant à DEL clignote une fois. |
| Le câble de l'interrupteur de fin de course se ferme à nouveau. | <ol style="list-style-type: none"> 1. Le ventilateur d'air de combustion reste sous tension pendant la temporisation de post-balayage. 2. Le ventilateur de circulation d'air reste sous tension pendant la temporisation d'arrêt sélectionnée. 3. Le système revient en mode normal. |
| Le ventilateur de circulation d'air en continu est raccordé. (Raccordement facultatif à la borne de basse vitesse du ventilateur de circulation d'air.) | <ol style="list-style-type: none"> 1. La borne basse vitesse du ventilateur de circulation d'air est sous tension lorsqu'il n'y a pas de commande de chauffage, de refroidissement ou de ventilation. 2. S'il y a une commande de chauffage, de refroidissement ou de ventilation, le ST9120B,U fait fonctionner le ventilateur de circulation d'air à la vitesse appropriée. |
| Un filtre à air électronique est raccordé. (Raccordement facultatif au filtre à air électronique tension secteur) | <ol style="list-style-type: none"> 1. Dans les systèmes à deux régimes, le filtre à air électronique est mis sous tension lorsque les régimes de chauffage ou de refroidissement sont activés. 2. Si l'option de fonctionnement en continu du ventilateur est en fonction, raccorder le filtre à air électronique à la borne secteur L1. |
| Un hygrostat est branché. (Raccordement facultatif à l'humidificateur tension secteur) | <ol style="list-style-type: none"> 1. L'humidificateur est activé lorsque le ventilateur d'air de combustion est sous tension. |

Tableau 8. Mode de fonctionnement du ST9141.

| Action | Réaction du système |
|--|--|
| Le thermostat fait un appel de chaleur. (Borne W sous tension.) | <ol style="list-style-type: none"> 1. Confirmer que le pressostat est à la position sans écoulement d'air (si le pressostat indique un écoulement d'air, le voyant clignote trois fois). 2. Le ventilateur de tirage est sous tension. 3. Le pressostat se referme (si le pressostat n'indique pas d'écoulement d'air pendant 30 secondes, le voyant se met à clignoter trois fois). 4. Le système d'allumage est activé. 5. La vanne à gaz s'ouvre et le brûleur principal s'allume. |
| Fin de la demande de chaleur du thermostat (Borne W hors tension.) | <ol style="list-style-type: none"> 1. Le système d'allumage est hors tension et la vanne à gaz se ferme. 2. Le ventilateur d'air de combustion est hors tension à la fin de la temporisation de post-balayage. 3. La temporisation d'arrêt du ventilateur de chauffage commence. À la fin de la temporisation, le ventilateur de circulation d'air est hors tension. |
| Le thermostat lance une demande de refroidissement. (Bornes G et Y sous tension.) | <ol style="list-style-type: none"> 1. Le contacteur de refroidissement est activé. 2. Le ventilateur de circulation d'air est activé en régime de refroidissement à la fin de la temporisation de démarrage. |
| Fin de la demande de refroidissement du thermostat. (Borne Y hors tension.) | <ol style="list-style-type: none"> 1. Le contacteur de refroidissement est hors tension. 2. Le ventilateur de circulation d'air s'arrête à la fin de la temporisation d'arrêt du ventilateur en régime de refroidissement. |
| Le thermostat commande le ventilateur. (Borne G sous tension.) | <ol style="list-style-type: none"> 1. Le ventilateur de circulation d'air fonctionne en régime de chauffage. 2. S'il y a un appel de chaleur, le ventilateur de circulation d'air continue de fonctionner en régime de chauffage. 3. S'il y a une commande de refroidissement, le ventilateur de circulation d'air passe au régime de refroidissement. <p>REMARQUE : Le ventilateur de circulation d'air peut s'arrêter pendant quelques secondes pendant le passage d'un régime à l'autre.</p> |
| Fin de la demande de ventilation du thermostat. (Borne G hors tension.) | <ol style="list-style-type: none"> 1. Le ventilateur de circulation d'air est hors tension. |
| Le câble de l'interrupteur de fin de course primaire s'ouvre. | <ol style="list-style-type: none"> 1. Le thermostat et le système d'allumage sont hors tension et la vanne à gaz se ferme. 2. Le ventilateur de tirage est hors tension. 3. Le ventilateur de circulation d'air fonctionne en régime de chauffage. S'il y a une demande de refroidissement, le ventilateur de circulation d'air passe au régime de refroidissement. 4. Le voyant clignote deux fois. |
| Le câble de l'interrupteur de fin de course primaire se referme. | <ol style="list-style-type: none"> 1. Le ventilateur de circulation s'arrête après la fin de la temporisation d'arrêt du ventilateur sélectionnée. Le système revient en mode normal. |
| Le câble de l'interrupteur de fin de course primaire est ouvert plus de 150 secondes (à chacun de trois cycles consécutifs). | <ol style="list-style-type: none"> 1. Le ventilateur de tirage, le ventilateur de circulation et le système d'allumage sont hors tension. 2. Le régulateur passe en mode de sécurité. Le régulateur reste en mode de sécurité jusqu'à ce que le courant 24 V c.a. soit interrompu et rétabli (réarmement du régulateur). 3. Le voyant clignote quatre fois. |
| Le câble de l'interrupteur de fin de course du brûleur s'ouvre. | <ol style="list-style-type: none"> 1. Le thermostat et le système d'allumage sont hors tension et la vanne à gaz se ferme. 2. Le ventilateur d'air de combustion et le ventilateur de circulation d'air en régime de chauffage sont sous tension. 3. Le voyant à DEL clignote une fois. |
| Le câble de l'interrupteur de fin de course du brûleur s'ouvre à nouveau. | <ol style="list-style-type: none"> 1. Le ventilateur d'air de combustion reste sous tension pendant la temporisation de post-balayage. 2. Le ventilateur de circulation d'air reste sous tension pendant la temporisation d'arrêt sélectionnée. 3. Le système revient en mode normal. |
| Le ventilateur de circulation d'air en continu est raccordé. (Raccordement facultatif à la borne de basse vitesse du ventilateur de circulation d'air.) | <ol style="list-style-type: none"> 1. La borne basse vitesse du ventilateur de circulation d'air est sous tension lorsqu'il n'y a pas de demande de chauffage, de refroidissement ou de ventilation. 2. S'il y a une commande de chauffage, de refroidissement ou de ventilation, le ST9120B,U fait fonctionner le ventilateur de circulation d'air à la vitesse appropriée. |

Tableau 8. Mode de fonctionnement du ST9141. (Continued)

| | |
|--|--|
| Un filtre à air électronique est raccordé. (Raccordement facultatif au filtre à air électronique tension secteur) | <ol style="list-style-type: none"> 1. Dans les systèmes à deux régimes, le filtre à air électronique est mis sous tension lorsque les régimes de chauffage ou de refroidissement sont activés. 2. Si l'option de fonctionnement en continu du ventilateur est en fonction, raccorder le filtre à air électronique à la borne secteur L1. |
| Un hygrostat est branché. (Raccordement facultatif à l'humidificateur tension secteur) | <ol style="list-style-type: none"> 1. L'humidificateur est activé lorsque le ventilateur d'air de combustion est sous tension. |

Tableau 9. Mode de fonctionnement du ST9160.

| Action | Réaction du système |
|--|---|
| Le thermostat fait un appel de chaleur. (Borne W sous tension.) | <ol style="list-style-type: none"> 1. Une demande de chauffage est transmise au système SVII. 2. Le brûleur principal s'allume. 3. Le système SVII reçoit une demande de fonctionnement du ventilateur en régime de chauffage. 4. La temporisation de démarrage du ventilateur de chauffage commence. À la fin de la temporisation, le ventilateur passe au régime haute vitesse. |
| Fin de la demande de chaleur du thermostat. (Borne W hors tension.) | <ol style="list-style-type: none"> 1. La demande de chauffage au système SVII prend fin. 2. La temporisation d'arrêt du ventilateur de chauffage commence. À la fin de la temporisation, le ventilateur de circulation d'air est hors tension. |
| Le thermostat lance une demande de refroidissement. (Bornes G et Y sous tension.) | <ol style="list-style-type: none"> 1. Le contacteur de refroidissement est activé. 2. Le ventilateur de circulation d'air est activé en régime de refroidissement à la fin de la temporisation de démarrage. |
| Fin de la demande de refroidissement du thermostat. (Bornes G et Y hors tension.) | <ol style="list-style-type: none"> 1. Le contacteur de refroidissement est hors tension. 2. Le ventilateur de circulation d'air s'arrête à la fin de la temporisation d'arrêt du ventilateur en régime de refroidissement. |
| Le thermostat commande le ventilateur. (Borne G sous tension.) | <ol style="list-style-type: none"> 1. Le ventilateur de circulation d'air fonctionne en régime de chauffage. 2. S'il y a une commande de refroidissement, le ventilateur de circulation d'air passe au régime de refroidissement. <p>REMARQUE : Le ventilateur de circulation d'air peut s'arrêter pendant quelques secondes pendant le passage d'un régime à l'autre.</p> |
| Fin de la demande de ventilation du thermostat. (Borne G hors tension.) | <ol style="list-style-type: none"> 1. Le ventilateur de circulation d'air est hors tension. |
| Le régulateur SVII reçoit l'état de l'interrupteur de fin de course. | <ol style="list-style-type: none"> 1. Le ventilateur de circulation d'air en régime de chauffage est sous tension. 2. Le voyant clignote cinq fois. |
| Le régulateur SVII ne reçoit plus l'état de l'interrupteur de fin de course. | <ol style="list-style-type: none"> 1. Le ventilateur de circulation d'air reste sous tension pendant la temporisation d'arrêt sélectionnée. 2. Le système revient en mode normal. |
| Le ventilateur de circulation d'air en continu est raccordé. (Raccordement facultatif à la borne de basse vitesse du ventilateur de circulation d'air.) | <ol style="list-style-type: none"> 1. La borne basse vitesse du ventilateur de circulation d'air est sous tension lorsqu'il n'y a pas de demande de chauffage, de refroidissement ou de ventilation. 2. S'il y a une commande de chauffage, de refroidissement ou de ventilation, le ST9120B,U fait fonctionner le ventilateur de circulation d'air à la vitesse appropriée. |
| Un filtre à air électronique est raccordé. (Raccordement facultatif au filtre à air électronique tension secteur.) | <ol style="list-style-type: none"> 1. Dans les systèmes à deux régimes, le filtre à air électronique est mis sous tension lorsque les régimes de chauffage ou de refroidissement sont activés. 2. Si l'option de fonctionnement en continu du ventilateur est en fonction, raccorder le filtre à air électronique à la borne secteur L1. |
| Un hygrostat est branché. (Raccordement facultatif à l'humidificateur tension secteur.) | <ol style="list-style-type: none"> 1. L'humidificateur est sous tension lorsqu'il y a une demande de chauffage. |

Tableau 10. Conditions d'erreur.

| Condition d'erreur | Fonctionnement |
|--|---|
| Limiteur du brûleur ouvert (ST9141) Limiteur ouvert (ST9120) | <ol style="list-style-type: none"> 1. Le ventilateur de tirage est sous tension. 2. Si la borne Y est sous tension, le ventilateur de circulation devrait fonctionner au régime de refroidissement; sinon, il devrait fonctionner au régime de chauffage. |
| L'interrupteur de fin de course primaire s'ouvre. | <ol style="list-style-type: none"> 1. Si la borne Y est sous tension, le ventilateur de circulation devrait fonctionner au régime de refroidissement; sinon, il devrait fonctionner au régime de chauffage. 2. S'il y a trois ouvertures consécutives de l'interrupteur de fin de course primaire qui durent plus de 150 secondes, le système transmet une condition d'erreur de <i>surchauffe</i>. |
| Le pressostat est incorrectement fermé ou reste ouvert lorsque le ventilateur de tirage est sous tension | <ol style="list-style-type: none"> 1. Le système d'allumage ne se met pas sous tension. |
| Surchauffe | <ol style="list-style-type: none"> 1. Tous les relais de sortie sont hors tension. 2. Il faut couper l'alimentation de l'appareil et la rétablir pour quitter ce mode. |
| Ouverture de l'interrupteur de fin de course de la Smart Valve II | <ol style="list-style-type: none"> 1. Le ventilateur de tirage est sous tension. 2. Si la borne Y est sous tension, le ventilateur de circulation devrait fonctionner au régime de refroidissement; sinon, il devrait fonctionner au régime de chauffage. |
| Erreur de pairage – facteur d'affaiblissement plus grand que 78 % (~10 sec. mise au repos) | <ol style="list-style-type: none"> 1. Le système ne tient pas compte des voies de communication de pairage. 2. Le facteur d'affaiblissement doit descendre sous 40 % (~5 s de reprise) avant que la communication de pairage puisse reprendre. |
| Erreur d'alimentation c.a. pendant plus de 10 s | <ol style="list-style-type: none"> 1. Tous les relais de sortie sont hors tension. 2. Toute modification des entrées du thermostat est ignorée, toute information du bus de pairage est ignorée. 3. L'appareil reprend son fonctionnement normal 120 secondes après le rétablissement du courant c.a. |



Resideo Technologies, Inc.
1985 Douglas Drive North, Golden Valley, MN 55422
1-800-468-1502

www.resideo.com 69-2252EF-09 M.S. Rev. 06-20 | Imprimé aux États-Unis