



Replacement Parts List

Cartridge Design Pumps

121 through 138 & 1600 Series Pumps

304-001

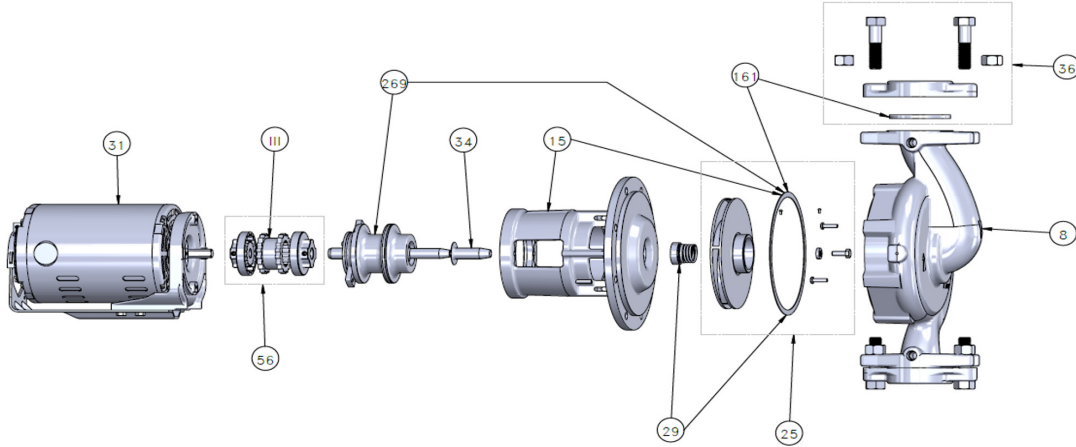
SUPERSEDES: May 6, 2021

Effective: March 30, 2022

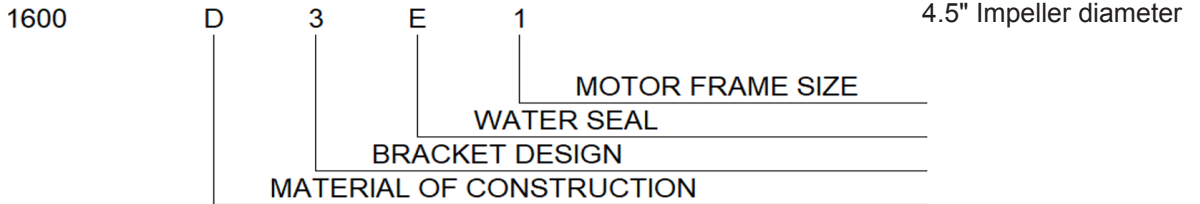
Form No. F304-001

IMPORTANT: When ordering, always specify part number, part name, and complete model number of pump. Nameplate located on front of casing. For OEM models, please consult OEM.

REPLACEMENT PARTS FOR (-9) AND SERIAL NUMBER CARTRIDGE DESIGN PUMPS



SERIAL NUMBER CODE



MATERIAL OF CONSTRUCTION
X O O O
A = CAST IRON PUMP & IMPELLER (OBSOLETE)
B = ALL BRONZE PUMP & IMPELLER (OBSOLETE)
C = CAST IRON PUMP AND BRONZE IMPELLER (OBSOLETE)
D = ALL STAINLESS STEEL PUMP & IMPELLER
E = CAST IRON PUMP AND STAINLESS STEEL IMPELLER
N = ALL STAINLESS STEEL PUMP & IMPELLER (NSF 61 ONLY)

MOTOR FRAME SIZE*/SHAFT DIA.
O O O X
1 48 FRAME (1/4, 1/3, 1/2 HP) 1/2"
2 56 FRAME (3/4, 1 HP) 5/8"
3 56 FRAME (1 1/2, & 2 HP) 5/8"
4 56 FRAME (3 HP) 5/8"
*Refer to standard motors only. See nameplate for other motors.

WATER SEAL KIT, ITEM #29 5/8" SHAFT
O O X O
E = (Standard) 1600-868CRP Ceramic/Carbon/EPT (replaces 1600-846CRP, 1600-170RP and 1600 170ERP)
S = (High Temp) 1600-868SRP Sealide-C/Sealide-C/Viton (replaces 1600-846SRP and 1600-170HRP)

FLANGE TYPE
N = NPT (STANDARD)
D = DIN (EXPORT)

BRACKET DESIGN
O X O O
1 & 2 STYLE PUMPS (OBSOLETE)
3-7 CURRENT STYLE PUMPS

ITEM #8 REPLACEMENT BODY		
PUMP MOD. NO	CAST IRON	STAINLESS STEEL (replaces bronze)
121	121-018RP	121-018SRP
122	"	"
131, 32, 33 & 38	133-150RP	133-150SRP
1600, 10, 11	1610-001RP	1610-001SRP
1602, 1604	N/A	N/A
1612, 14, 15	1614-001RP	1614-001SRP
1616, 18, 19	1618-004RP	1618-004SRP
1620, 22, 24	1634-001RP	1634-001SRP
1630, 1632	"	"
1634, 1635	"	"
1636, 1638	1640-002RP	1640-002SRP
1640, 1641	"	"

BODY GASKETS	WEAR RING
CAST IRON / BRZ / SS	BRONZE - used on SS casings only
1600 - 024RP	1600 - 908L
"	1600 - 908L
133 - 014RP	1600 - 907L
1600 - 024RP	1600 - 906L
133 - 014RP	N/A
"	1600 - 906L
1618 - 006	1600 - 906L
133 - 014RP	1600 - 907L
"	1600 - 907L
"	1600 - 907L
1618 - 006	1600 - 907L
"	1600 - 907L

ITEM #15 REPLACEMENT BRACKET					ITEM #161 GASKET KIT
PUMP MOD. NO	MOTOR FRAME SIZE (48)		MOTOR FRAME SIZE (56)		
	CAST IRON	BRONZE / SS	CAST IRON	BRONZE / SS	
121, 122	1600-155RP	1600-156RP	N/A	N/A	1600-050RP
1600, 10, 11	"	"	N/A	N/A	"
1602, 1604	1600-175RP	1600-176RP	N/A	N/A	"
1612, 20, 30	"	"	N/A	N/A	"
131, 132	"	"	N/A	N/A	"
1615 *	-	-	-	-	"
133, 138	N/A	N/A	1604-023RP	1604-024RP	"
1614, 22, 24	N/A	N/A	1604-023RP	1604-024RP	"
1632, 34	N/A	N/A	1604-023RP	1604-024RP	"
1635 *	-	-	-	-	"
1616, 36	N/A	N/A	1604-025RP	1604-026RP	1618-006RP
1619 *	-	-	-	-	"
1638, 40, 41	N/A	N/A	1604-025RP	1604-026RP	"

ITEM #25 REPLACEMENT IMPELLER ASSEMBLY				
PUMP MOD. NO	(-9)PUMPS	CURRENT	DIAMETER	
			-9	CURRENT
121, 122	121-142SRP	121-142SRP	4.3	4.3
131	131-075SRP	1630-023SRP	4.8	4.4
132	132-063SRP	1630-022SRP	5.2	4.9
133	133-075SRP	1632-022SRP	5.75	5.65
138	138-037SRP	1634-023SRP	6.25	6.15
1600	1600-179SRP	1610-020SRP	4.75	4.5
1602	1602-025SRP	N/A	5.5	
1604	1604-028SRP	N/A	6.2	
1610	1610-019SRP	1610-019SRP	4.75	
1611*	N/A	1611-001SRP	-	
1612	1612-019SRP	1612-019SRP	5.75	
1614	1614-018SRP	1614-01SRP	6.35	
1615*	N/A	1615-001SRP	-	
1616	1616-002SRP	1616-002SRP	7.1	
1618	1618-001SRP	N/A	7.9	
1619*	N/A	1619-001SRP		
1620	1620-022SRP	N/A	5.1	
1622	1622-020SRP	N/A	5.85	
1624	1624-040SRP	N/A	6.5	
1630	1630-022SRP	1630-022SRP	4.9	
1632	1632-022SRP	1632-022SRP	5.65	
1634	1634-023SRP	1634-023SRP	6.15	
1635*	N/A	1635-001SRP	-	
1636	1636-001SRP	1636-001SRP	6.4	
1638	1638-001SRP	1638-001SRP	6.9	
1640	1640-001SRP	N/A	7.9	
1641*	N/A	1641-001SRP	-	

ITEM #31 REPLACEMENT MOTOR ASSEMBLY *			
HP	115/60/1	115/230/60/1	200-230/460/60/3 **
1/4	121-151RP	N/A	N/A
1/3	131-143RP	N/A	N/A
1/2	N/A	132-096RP	1661-022RP
3/4	N/A	133-119RP	1661-023RP
1	N/A	138-119RP	1661-024RP
1 1/2	N/A	1636-013RP	1661-025RP
2	N/A	1638-012RP	1661-026RP

HP	200-230/460/60/3 Motor No. **	** Replaces below	
		230/460/60/3	200/60/3
1/4	N/A	N/A	N/A
1/3	N/A	N/A	N/A
1/2	1661-022RP	132-097RP	132-066RP
3/4	1661-023RP	133-134RP	133-140RP
1	1661-024RP	138-142RP	138-148RP
1 1/2	1661-025RP	1636-010RP	1636-019RP
2	1661-026RP	1638-010RP	1638-015RP

*When ordering other than standard, refer to nameplate, then consult factory.

** Replaces 200/60/3 and 230/460/60/3 models below.

Note (1) When replacing item #8 body on 131, 132, 133, 138 and 1600C—1&—9, you must also order current style impeller.

Note (2) Body for the 1602 & 1604 are no longer available. Consult factory.

ITEM #36 REPLACEMENT FLANGE SET			GASKET SETS	
PUMP MOD. NO.	STAINLESS STEEL (replaces bronze)	CAST IRON	CURRENT	OLD STYLE PUMPS
121	1600-033SRP	1600-033RP	133-152RP	131-019RP
122	1600-034SRP	1600-034RP	"	"
131, 32, 33 & 38	"	"	"	"
1600, 10, 11	1600-031SRP	1600-031RP	1600-169RP	1600-872RP
1602, 1604	"	"	"	"
1612, 14, 15	"	"	"	"
1616, 18, 19	1600-032SRP	1600-032RP	"	"
1620, 22, 24	"	"	"	"
1630, 1632	"	"	"	"
1634, 1635	"	"	"	"
1636, 1638	1600-174SRP	1600-174RP	"	N/A
1640, 1641	"	"	"	N/A

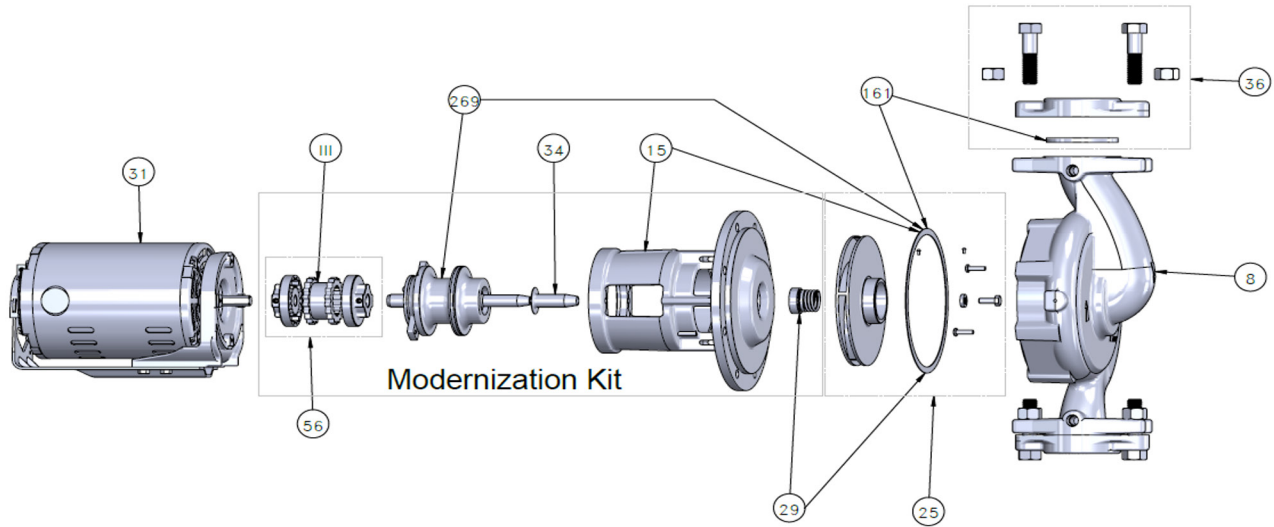
MOTOR ASSEMBLY LESS MOTOR				
HP	115/60/1	115/230/60/1	200/60/3	230/460/60/3
1/4	121-056RP	N/A	N/A	N/A
1/3	121-056RP	N/A	N/A	N/A
1/2	N/A	132-033RP	132-033RP	132-033RP
3/4	N/A	133-031RP	133-031RP	133-031RP
1	N/A	133-031RP	133-031RP	133-031RP
1 1/2	N/A	133-031RP	133-031RP	133-031RP
2	N/A	1636-004RP	1636-004RP	1636-004RP
3	N/A	N/A	1636-004RP	1636-004RP

121-079RP Motor Assy. L/Motor, for 56 Frame Motors on 48 Frame Pumps

OTHER REPLACEMENT PARTS			
ITEM#	DESCRIPTION	PART NUMBER	WHERE USED
34	SHAFT SLEEVE	N/A	Replaced with single piece stainless steel shaft design (see item 269 below)
56	COUPLER 4J (5/8 X 5/8")	1624-053RP	Inline Pumps 3/4 thru 2 HP, 56 frame motor
56	COUPLER 5J (5/8 X 5/8")	1624-041RP	All Inline Pumps 3 HP
111	RUBBER INSERT	1624-004RP	All 4J Couplers
111	RUBBER INSERT	1624-020RP	All 3J Couplers
111	RUBBER INSERT	900-512	All 5J Couplers
269	CARTRIDGE ASSY.	1600-160RP-2	All 9- and Serial Number Pumps
	IMPELLER BOLT	1600-215RP	All
	IMPELLER WASHER	1600-151RP	All
56	COUPLER 3J (5/8 X 1/2")	1624-043RP	All Inline Pumps 1/4 & 1/3 HP
56	COUPLER 4J (5/8 X 1/2")	1624-030RP	Inline Pumps 1/2 HP, 48 frame motor

REPLACEMENT PARTS FOR OLD STYLE PUMPS AND CIRCULATORS *

*121+122-3-7, 132+133-3-6; 1600, 1602, 1604, 1610, 1612, 1614, 1620, 1622,1624, 1630, 1632, 1634-1 +C1.



OTHER REPLACEMENT PARTS

ITEM#	DESCRIPTION	WHERE USED
ITEM #8	BODY	Same as —9 and Serial Number Pumps.
ITEM #25	IMPELLER AND SHAFT ASSEMBLY	No longer available. Must purchase Item #74 Modernization Kit listed below, Plus -9 IMPELLER
ITEM #29	SEAL KIT (1/2")	Part No. 1600-055RP
ITEM #31	MOTOR ASSEMBLY	Same as -9 and Serial Number Pumps.
ITEM #36	FLANGE SET	Same as -9 and Serial Number Pumps.
ITEM #56	COUPLER	Same as -9 and Serial Number Pumps.
ITEM #111	RUBBER INSERT	Same as -9 and Serial Number Pumps.
ITEM #161	GASKET KIT	Same as -9 and Serial Number Pumps

ITEM #74 MODERNIZATION KIT **

PUMP NO.	MOTOR FAME SIZE (48)		MOTOR FAME SIZE (56)	
	CAST IRON	BRONZE	CAST IRON	BRONZE
121,122	121-154RP	122-002RP	N/A	N/A
131, 132 ²	131-144RP	132-145RP	133-147RP	138-153RP
133, 138	N/A	N/A	"	"
1600, 1610	121-154RP	122-002RP	N/A	N/A
1602, 1604 ²	131-144RP	132-145RP	133-147RP	133-147RP
1612, 1620 ²	"	"	133-147RP	138-153RP
1630 ²	"	"	"	"
1614, 1622	N/A	N/A	"	"
1624, 1632	N/A	N/A	"	"
1634	N/A	N/A	"	"

Note (2) Select modernization kit per motor frame size. Select impellers per selection chart on previous page, under —9 column.



Taco, Inc., 1160 Cranston Street, Cranston, RI 02920 | Tel: (401) 942-8000 | FAX: (401) 942-2360

Taco (Canada), Ltd., 8450 Lawson Road, Suite #3, Milton, Ontario L9T 0J8 | Tel: (905) 564-9422 | FAX: (905) 564-9436

Visit our web site: www.TacoComfort.com | Printed in USA | ©2022 Taco, Inc.

