



Health and Safety Warning:

Ceramic fiber products are suspected of causing cancer by inhalation. All ceramic fiber products have a hazard communication warning label and a prop 65 warning for airborne fiber inhalation. You should minimize exposure to airborne fibers. When handling ceramic fiber we recommend using particulate respirator mask (N95), protective gloves, safety glasses and long sleeve clothing. For complete safety information consult the SDS sheet. <https://www.lynnmfg.com/documentation/>

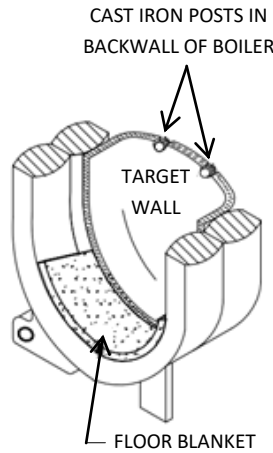


Before you start work:

1. Read all instructions and check the kit number before starting work. **See Note A.**
2. Turn off service switch on boiler and all other electrical disconnect switches.
3. Close fuel supply valve(s) and disconnect fuel line from the burner.

Removal:

4. Remove oil burner and burner mounting plate from front of boiler.
5. Remove old "front refractory" from the inside of the burner mounting plate.
6. Remove the old "target wall"
7. Remove the old blanket from the floor of the boiler.
8. Clean-out the inside of the combustion area and remove the old sealant from the groove on the inside of the "burner mounting plate" and the front of the boiler.



Note A: Correct Kit

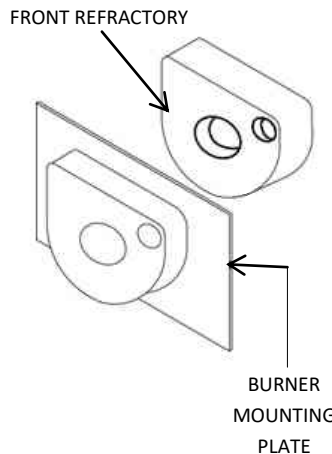
Please check this is the correct kit for your make & model boiler by checking the box label or consulting our Ready Reference.

Note B: Fitting Ceramic Fiber Pieces

Many of the rigid ceramic fiber pieces are designed to be a firm press fit. To avoid breakage, press carefully and gradually. The fit may need to be adjusted by sanding or filing until a snug press fit is achieved.

Installation:

9. Position the "target wall" inside the boiler combustion area. Make sure that the two notches in the top of the "target wall" line-up with the posts cast into the backwall of the boiler.
10. Carefully press the "target wall" into place until it contacts the backwall of the boiler. If the "target wall" is loose, use the paper shims provided to insure a press fit. **See Note B.**
11. Press the "front insulation" into the burner mounting plate. If necessary, use a piece of wood and a hammer to tap it into place, working around the outside edge. **See Note B.**
12. Cut the 16" wide blanket to the correct length so it extends from the target wall to the front of the boiler.
13. Install the Floor blanket. **See Note C.**
14. Press a bead of the "boiler sealant" provided into the groove on the inside of the burner mounting plate.
15. Reinstall the burner mounting plate and oil burner & reconnect oil line and electrical.
16. Complete initial firing and combustion test. See Note E.



Note C: Installing the Floor Blanket

The blanket provided with this kit is sized for the largest possible boiler and will normally have to be cut to size. The blanket must cover the entire bottom of the chamber. The blanket should be glued in place by covering the floor with waterglass before installing the blanket. Use the entire 4oz bottle that is provided and spread with a chip brush or rag.

Note E: Initial Firing

Fire the burner for 15 minutes to allow ceramic fiber insulation to "cure". It is normal when first fired for some smoke and a slight odor to occur. Combustion test must be performed after curing process.

Application, Installation and Use Warning:

In applications including; boilers, furnaces, wood stoves, wood inserts, fireplaces, heating devices, and other appliances, parts must be used consistently with original equipment manufacturers specifications, design, function and operation.

Improper installation or use of this product could result in a fire, smoke inhalation or carbon monoxide poisoning. Products should be installed by a licensed and certified technician in compliance with all national, state and local codes. Products should be inspected annually by a licensed and certified technician for wear, brittleness, cracking or crumbling, and replaced as necessary. Lynn Manufacturing, Inc. recommends installers certified by NFI, CSIA or NORA.

Never work on a piece of equipment or touch the fibrous product when it is hot, as the product may show no visible signs of heat from glowing or smoking.

Lynn Manufacturing, Inc offers hundreds of products with many applications. Determining whether the product is a fit for the particular purpose and suitable for an application is the sole responsibility of the purchaser/installer.

In no event shall Lynn Manufacturing, Inc be liable for any damages to property or life arising from or connected with the use of this product.

V0420