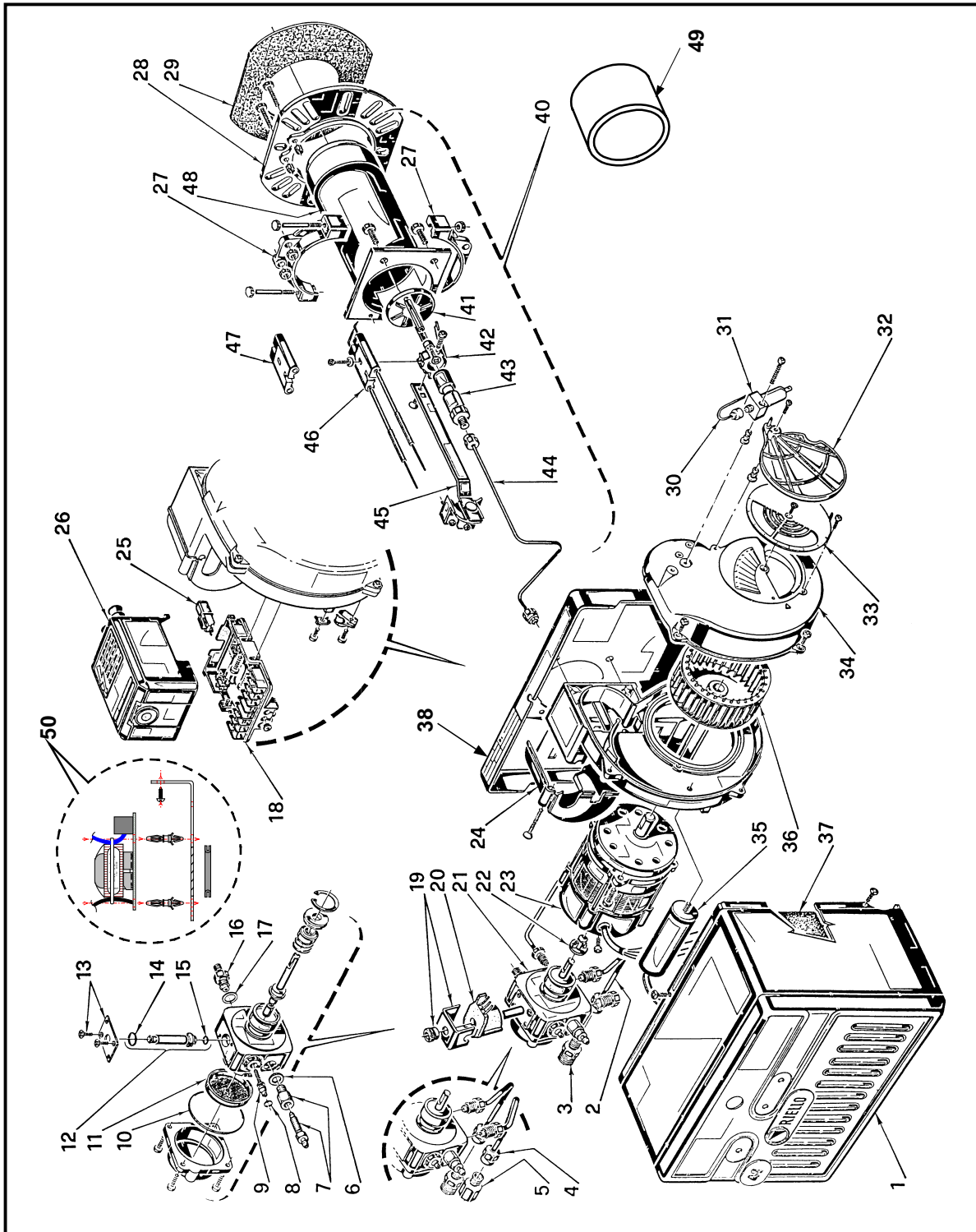


SPARE PARTS



RIELLO SPARE PARTS LIST

• Indicates applicable model for each part.

No	CODE	F3	F5	DESCRIPTION	No	CODE	F3	F5	DESCRIPTION
1	3007232	•		Burner Back Cover	26	3001157	•	•	Primary Control
2	3007233	•	•	Burner Back Cover	27	3005854	•	•	Semi Flange (2 Required)
3	3006992	•	•	Pipe Connector Supply	28	3005855	•	•	Universal Mounting Flange
	3006571	•	•	3/8" NPT/Metric Adapter – Male	29	3005856	•	•	Mounting Gasket
4	3006993	•	•	Pipe Connector Return	30	C7001058	•		Capillary Tube (if used)
5	3005847	•	•	1/4" NPT/Metric Adapter – Female		C7001059		•	Capillary Tube (if used)
6	3007077	•	•	Crushable Metal Washer 3/8" ID	31	3006911	•	•	Hydraulic Jack (if used)
7	3007568	•	•	Bleeder	32	3000878	•	•	Hydraulic Air Shutter (if used)
8	3007028	•	•	O-Ring – Pump Pressure Regulator	33	3007204	•	•	Manual Air Shutter
9	3007202	•	•	Regulator Screw	34	3007207	•		Air Intake Housing
10	C7010002	•	•	O-Ring – Pump Cover (3007162)		3007208		•	Air Intake Housing
11	3005719	•	•	Pump Screen	35	3005844	•	•	Capacitor 12.5µF
12	3006925	•	•	Valve Stem	36	3005708	•	•	Fan
13	3007203	•	•	Valve Stem Plate	37	C6950050	•		Acoustic Liner
14	3007029	•	•	O-Ring - Valve Stem Upper		3007320		•	Acoustic Liner
15	3007156	•	•	O-Ring - Valve Stem Lower	38	3007221	•		Chassis Front Plate
16	3007268	•	•	Nozzle Outlet Fitting		3007222		•	Chassis Front Plate
17	3007087	•	•	Crushable Metal Washer 5/8" ID					
18	3002278	•	•	Primary Control Sub-Base	OPTIONAL				
19	3006553	•	•	Coil U-Bracket and Knurled Nut	49	C7001033	•	•	Amulet – Cerafelt Sleeve Kit
20	3002279	•	•	Coil	50	C7001063	•	•	LT1 24V Switching relay
21	3007802	•	•	Pump	51	2623141	•	•	Capillary port plug
22	3000443	•	•	Pump Drive Key	52	3000932	•	•	Adjustable Steel Flange
23	3005843	•	•	Motor 120VOLT 60Hz					
24	3007315	•		Air Tube Cover					
	3007316		•	Air Tube Cover					
25	3002280	•	•	Photocell					
VSBT COMBUSTION HEAD					SHORT COMBUSTION HEAD				
40	3948876	•		VSBT Combustion Head 3"	40	3948873	•		Short Combustion Head 6" (271T1)
	3948976		•	VSBT Combustion Head 3"		3948973		•	Short Combustion Head 6" (271T1)
41	3006968	•		Turbulator Disc	41	3006968	•		Turbulator Disc
	3006977		•	Turbulator Disc		3006977		•	Turbulator Disc
42	3006966	•	•	Electrode Support	42	3006966	•	•	Electrode Support
43	3006965	•	•	Nozzle Adapter	43	3006965	•	•	Nozzle Adapter
44	3008627	•		Nozzle Oil Tube	44	3006969	•		Nozzle Oil Tube – Short
	3008629		•	Nozzle Oil Tube		3006973		•	Nozzle Oil Tube – Short
45	3008633	•		Regulator Assembly	45	3006324	•		Regulator Assembly – Short
	3008634		•	Regulator Assembly		3006323		•	Regulator Assembly – Short
46	3008630	•		Electrode Assembly	46	3006330	•		Electrode Assembly – Short
	3008631		•	Electrode Assembly		3006329		•	Electrode Assembly – Short
47	3005869	•	•	Electrode Porcelain	47	3005869	•	•	Electrode Porcelain
48	3008623	•		End Cone Assembly	48	3007592	•		Short Air Tube
	3008626		•	End Cone Assembly		3007594		•	Short Air Tube
8 7/8" COMBUSTION HEAD					LONG COMBUSTION HEAD				
40	3948877	•		Combustion Head 8 7/8"	40	3948874	•		Long Combustion Head 10" (271T2)
	3948975		•	Combustion Head 8 7/8"		3948974		•	Long Combustion Head 10" (271T2)
41	3006968	•		Turbulator Disc	41	3006968	•		Turbulator Disc
	3006977		•	Turbulator Disc		3006977		•	Turbulator Disc
42	3006966	•	•	Electrode Support	42	3006966	•	•	Electrode Support
43	3006965	•	•	Nozzle Adapter	43	3006965	•	•	Nozzle Adapter
44	3008970	•		Nozzle Oil Tube	44	3006970	•		Nozzle Oil Tube – Long
	3008628		•	Nozzle Oil Tube		3006974		•	Nozzle Oil Tube – Long
45	3008846	•		Regulator Assembly	45	3005867	•		Regulator Assembly – Long
	3008635		•	Regulator Assembly		3005878		•	Regulator Assembly – Long
46	3008789	•		Electrode Assembly	46	3005870	•		Electrode Assembly – Long
	3008632		•	Electrode Assembly		3005880		•	Electrode Assembly – Long
47	3005869	•	•	Electrode Porcelain	47	3005869	•	•	Electrode Porcelain
48	3008788	•		End Cone Assembly	48	3007593	•		Long Air Tube
	3008625		•	End Cone Assembly		3007595		•	Long Air Tube